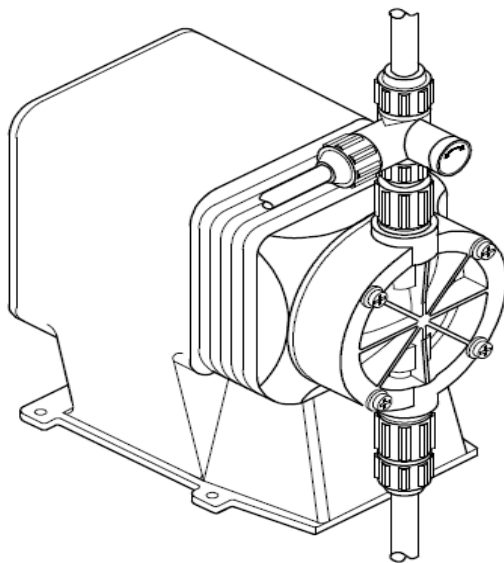


# PULSAtron®

Electronic Metering Pumps

## PARTS IDENTIFICATION SCHEDULE

- Wetted Component Assemblies
- Drive Assemblies
- Control Panel Assemblies
- New Wet End Parts Sheets



**novatech**  
INTERNATIONAL

[sales@novatech-usa.com](mailto:sales@novatech-usa.com)

[www.novatech-usa.com](http://www.novatech-usa.com)

Tel: (866) 433-6682

Fax: (866) 433-6684

Tel: (281) 359-8538

Fax: (281) 359-0084

**PULSAFEEDER®**

EMP-031 (REV U)

**novatech**  
 INTERNATIONAL

---

sales@novatech-usa.com  
www.novatech-usa.com  
Tel: (866) 433-6682 Fax: (866) 433-6684  
Tel: (281) 359-8538 Fax: (281) 359-0084

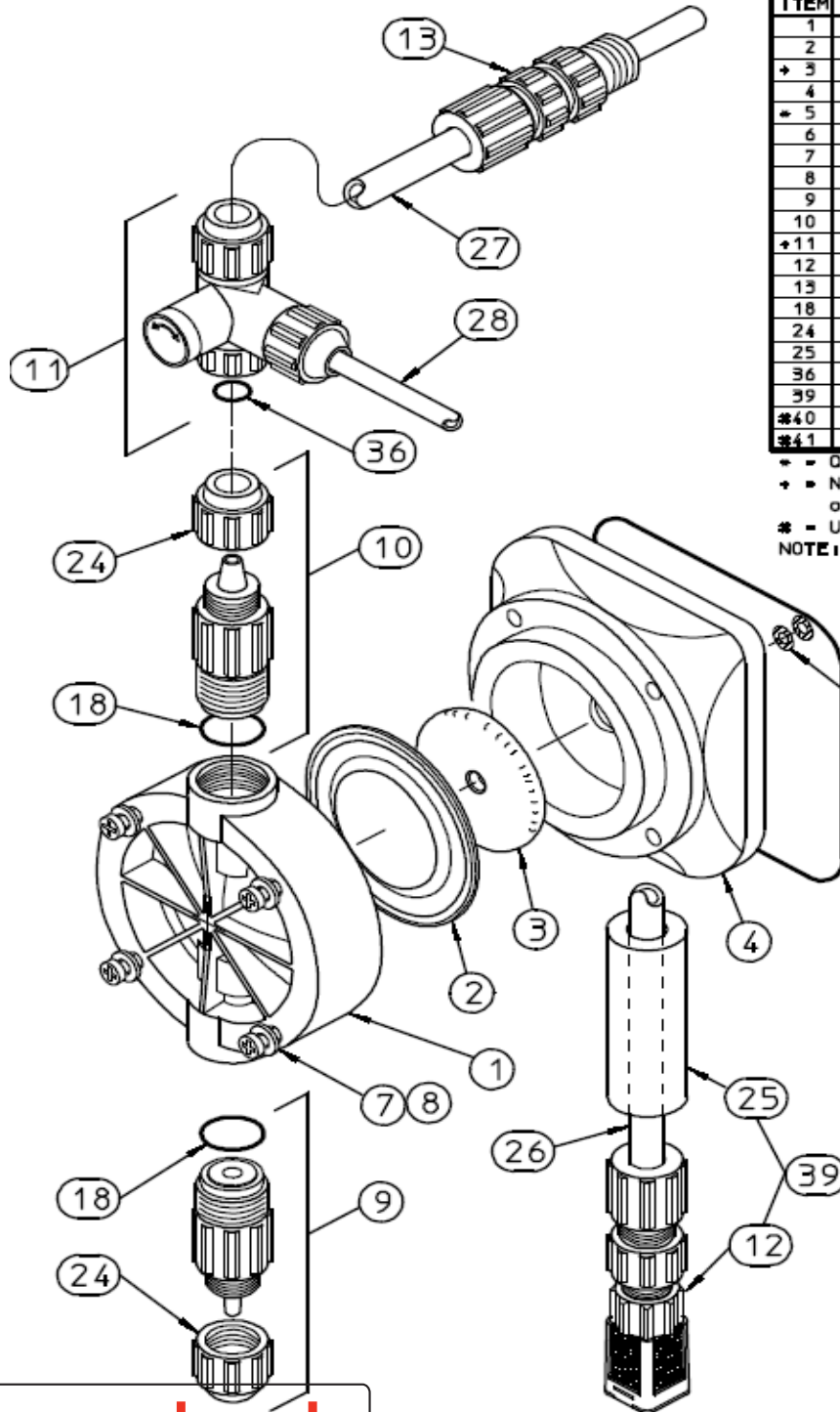
# Parts Identification Schedule Table of Contents

E-Plus, MP, HV and Series E wetted parts Drawing.....	Page 1
Series MP drive assembly Drawing.....	Page 2
E-Plus, MP, HV and Series E drive assembly Drawing.....	Page 3
E-Plus, MP, HV and Series E Parts Lists.....	Page 4
Series A-Plus, C-Plus, C, E, And E-DC wetted parts Drawing.....	Page 10
Series A-Plus, C-Plus, C, E, And E-DC drive assembly Drawing.....	Page 11
Series A-Plus, C-Plus, C, drive assembly Drawing (external pace).....	Page 12
Series A-Plus, C-Plus, C, E, And E-DC Parts Lists.....	Page 13
Five Function Valve Parts.....	Page 18
Five Function De-Gas Valve Parts.....	Page 20
Parts for the J connection (EXAMPLE: LB64SA-VTCJ-XXX).....	Page 21
Wet End Parts Sheets.....	Page 23



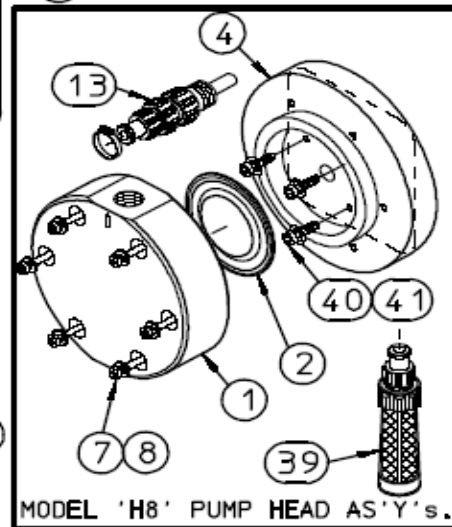
sales@novatech-usa.com  
www.novatech-usa.com  
Tel: (866) 433-6682 Fax: (866) 433-6684  
Tel: (281) 359-8538 Fax: (281) 359-0084

# SERIES MP, E PLUS, HV AND SERIES E WETTED COMPONENT ASSEMBLIES PARTS IDENTIFICATION



ITEM	DESCRIPTION	QTY
1	PUMP HEAD	1
2	DIAPHRAGM	1
+ 3	DEFLECTION PLATE	1
4	ADAPTOR	1
+ 5	DIAPHRAGM SHIMS	0-2
6	O-RING	1
7	PUMP HEAD SCREWS	4-6
8	PUMP HEAD WASHERS	4-6
9	SUCTION VALVE CARTRIDGE ASSY	1
10	DISCHARGE VALVE CARTRIDGE ASSY	1
+11	BLEED VALVE ASSEMBLY	1
12	FOOT VALVE/STRAINER ASSEMBLY	1
13	INJECTION VALVE ASSEMBLY	1
18	O-RING	2
24	COUPLING NUT	2
25	WEIGHT, STRAINER	1
36	O-RING	1
39	STRAINER ASSEMBLY w/ WEIGHT	REF
*40	ADAPTOR SCREW	4
*41	ADAPTOR WASHER	4

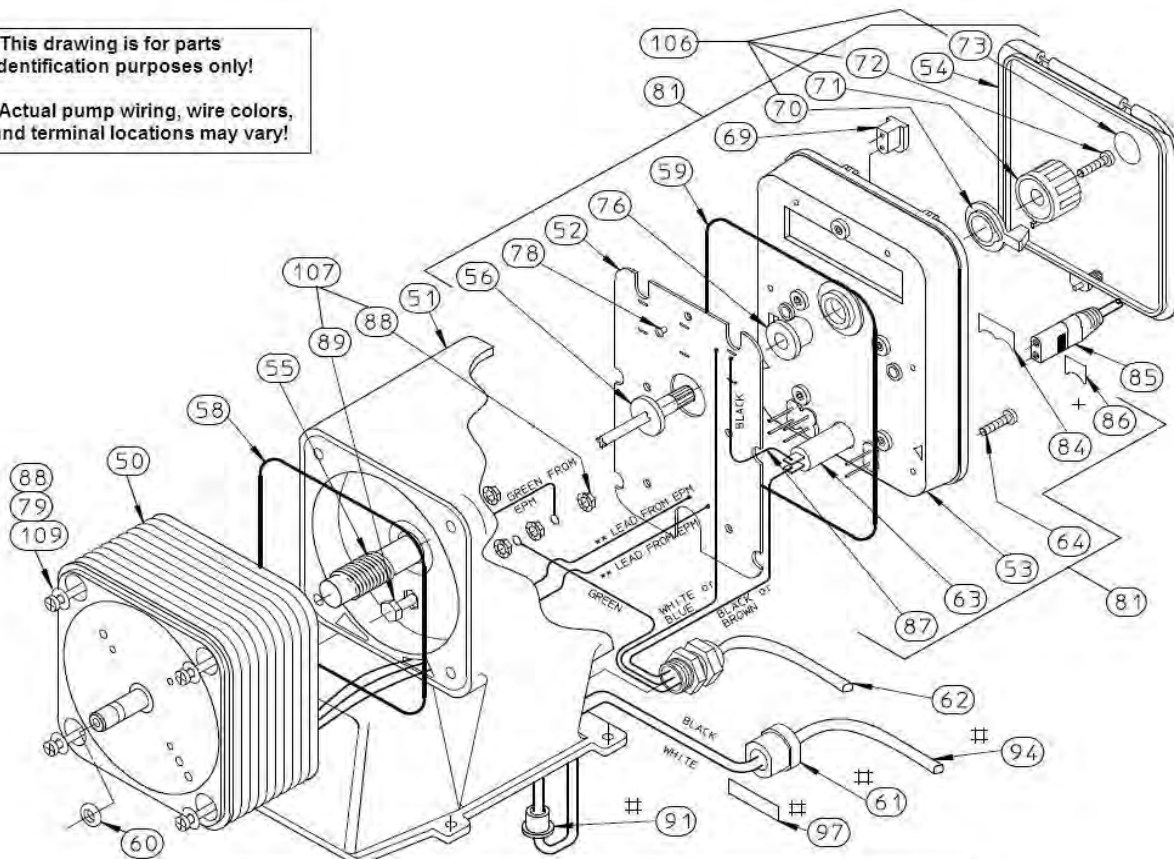
+ - QUANTITY VARIES. SHIM AS REQUIRED.  
 + - NOT AVAILABLE ON 500-GPD MODEL (H8) or PIPING CONNECTIONS.  
 \* - USED ON 500-GPD MODEL (H8) ONLY.  
 NOTE: KOPKITS INCLUDE ITEMS \*1,2,5,7,8, 9,10,36 and 60 (SEE DRIVE AS'Y).



# SERIES MP DRIVE ASSEMBLY AND CONTROL PANEL PARTS IDENTIFICATION

•This drawing is for parts identification purposes only!

•Actual pump wiring, wire colors, and terminal locations may vary!



ITEM	DESCRIPTION	QTY	ITEM	DESCRIPTION	QTY
50	ELEC. POWER MODULE (EPM)	1	73	KNOB STICKER, STROKE LG.	1
51	HOUSING	1	74	EPM MOUNTING SCREW	4
52	ELECTRONIC CONTROL BOARD	1	76	GROMMET, STROKE LENGTH	1
53	CONTROL PANEL	1	77	TOUCH PAD (NOT SHOWN)	1
54	DUST COVER ASSEMBLY	1	78	CIRCUIT MOUNT SCREW	5
55	FEMALE ADJUSTMENT SHAFT	1	79	EPM MOUNTING WASHER	4
56	MALE ADJUSTMENT SHAFT	1	81	CONTROL PANEL ASSEMBLY	REF
57	EPM RETAINING PLATE	1	84	STOP/SIGNAL LABEL	1
58	EPM/HOUSING O-RING	1	85	STOP/FUNC. CORD (NOT SHOWN)	2-3
59	CONTROL PANEL O-RING	1	86+	RELAY LABEL	1
60	SECONDARY SEAL	1	87	JUMPER WIRE	1
61#	STRAIN RELIEF (SIGNAL)	1	88	GROUND LUG NUT w/ WASHER	7
62	POWER CORD AS'Y, HSG.#2	1	89	GROUND LUG BOLT	1
	POWER CORD AS'Y, HSG.#3		91#	SIGNAL CORD BUSHING	1
63	CIRCUIT BREAKER	1	92	BREAKER COVER (NOT SHOWN)	1
64	CONTROL PANEL SCREWS	5-6	94#	SIGNAL CORD	1
69	PIN PLUG	2	97#	SIGNAL/POWER LABEL	1
71	KNOB, STROKE LENGTH	1	106	KNOB KIT, STROKE LENGTH	REF
72	KNOB MOUNTING SCREW	1	107	GROUND LUG KIT	REF
73	KNOB STICKER, STROKE LG.	1	109	SCREW, EMP MOUNTING	4

# = USED ON POWER RELAY MODEL ONLY.

+ = USED ON SIGNAL RELAY MODEL ONLY.

\*\* = 115 VOLT EPM UNITS HAVE GREY LEADS, 230 VOLT EPM UNITS HAVE RED LEADS.

NOTE: TERMINAL LOCATIONS ON THE CIRCUIT BOARD VARY DEPENDING ON THE CONTROL OPTION.

AC00273.001

14-E-04

**novatech**  
INTERNATIONAL

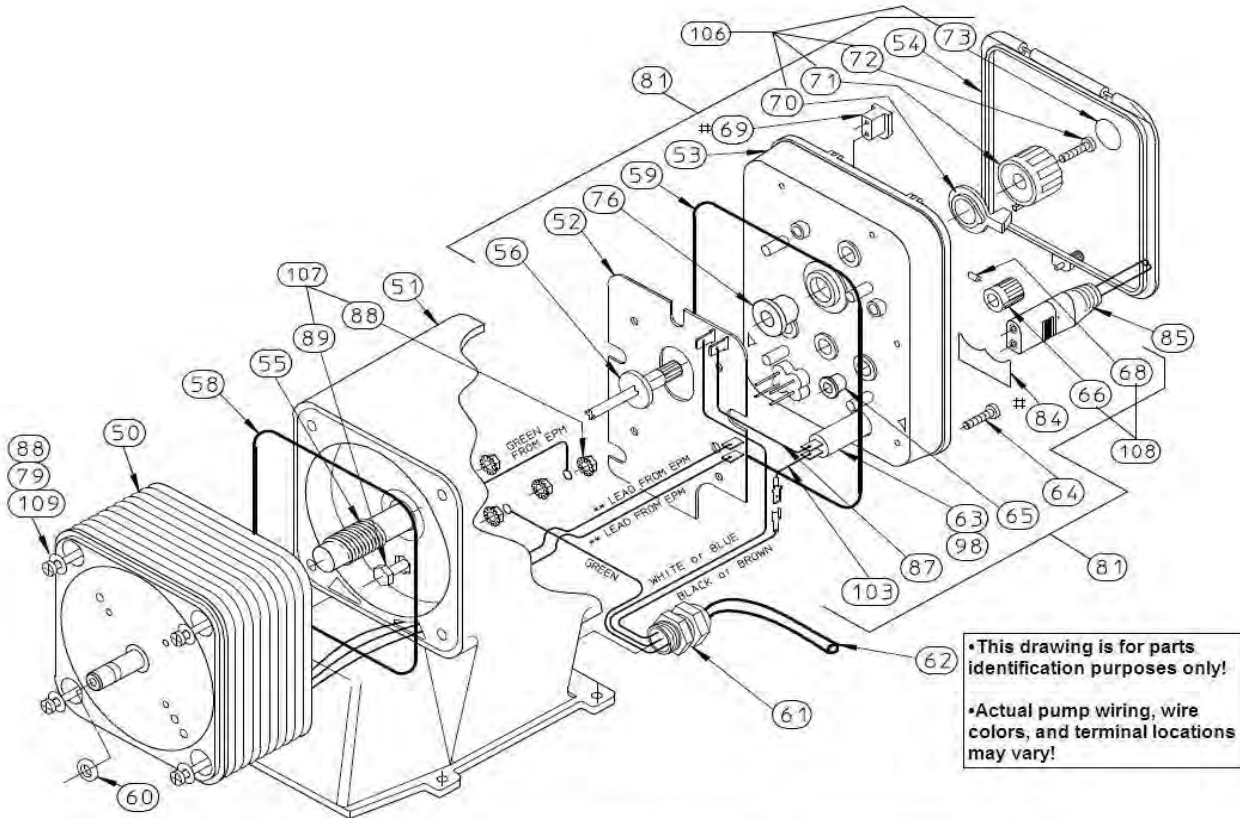
sales@novatech-usa.com

www.novatech-usa.com

Tel: (866) 433-6682 Fax: (866) 433-6684

Tel: (281) 359-8538 Fax: (281) 359-0084

# SERIES E PLUS, HV AND SERIES E DRIVE ASSEMBLY AND CONTROL PANEL PARTS IDENTIFICATION



ITEM	DESCRIPTION	QTY	ITEM	DESCRIPTION	QTY
50	ELEC. POWER MODULE (EPM)	1	70	LOCKING TAB	1
51	HOUSING	1	71	KNOB, STROKE LENGTH	1
52	ELECTRONIC CONTROL BOARD	1	72	KNOB MOUNTING SCREW	1
53	CONTROL PANEL	1	73	KNOB STICKER, STROKE LG.	1
54	DUST COVER ASSEMBLY	1	74	EPM MOUNTING SCREW	4
55	FEMALE ADJUSTMENT SHAFT	1	76	GROMMET, STROKE LENGTH	1
56	MALE ADJUSTMENT SHAFT	1	77	PANEL LABEL (NOT SHOWN)	1
57	EPM RETAINING PLATE	1	79	EPM MOUNTING WASHER	4
58	EPM/HOUSING O-RING	1	81	CONTROL PANEL ASSEMBLY	REF
59	CONTROL PANEL O-RING	1	#84	STOP/FCTN LABEL	1
60	SECONDARY SEAL	1	#85	STOP/FUNCT. CORD (NOT SHOWN)	2
61	STRAIN RELIEF	1	87	JUMPER WIRE	1
62	POWER CORD AS'Y, HSG. #2	1	88	GROUND LUG NUT w/ WASHER	3
	POWER CORD AS'Y, HSG. #3		89	GROUND LUG BOLT	1
63	FUSE HOLDER	1	98	FUSE	1
64	CONTROL PANEL SCREW	5-6	103	LEAD ASS'Y, PWR. CONNECTION	1
65	GROMMET, STROKE RATE/SWITCH	2	106	KNOB KIT, STROKE LENGTH	REF
66	KNOB, STROKE RATE/SWITCH	2	107	GROUND LUG KIT	REF
68	KNOB SET SCREW	2	108	STROKE RATE KNOB KIT	REF
#69	PIN PLUG	2	109	SCREW, EPM MOUNTING	4

# = THESE ITEMS USED ON EXTERNAL PACING, STOP & 4-20ma/STOP OPTIONS.  
 NOTE: TERMINAL LOCATIONS ON THE CIRCUIT BOARD VARY DEPENDING ON THE CONTROL OPTION.

AC00276.001  
 14-E-04

# SERIES MP, E PLUS, HV AND SERIES E WETTED COMPONENT ASSEMBLIES PARTS IDENTIFICATION

- \* Digits 3 & 4 are provided in charts for proper model identification.
- \* More Series E models are shown beginning on page 10
- \* Complete model information is published in the price schedule.

PART NO.	QUANTITY	MODEL LM, LV, LP, LE (DIGITS 3, 4)
<b>ITEM NO. 1: PUMP HEAD (GFPPL)</b>		
L0200200-FPP	1	A2, B2, K2 (STANDARD)
L0200300-FPP	1	A3, B3, D3, K3 (STANDARD)
L0200400-FPP	1	B4, D4, E4, F4, G4, H4
L0200500-FPP	1	G5, H5, K5
L0200600-FPP	1	H6
L0200700-FPP	1	H7, K7
L0200800-PPL	1	H8
L0200900-FPP	1	A2, B2, K2 ("J" HEAD OPTION)
L0201000-FPP	1	A3, B3, D3, K3 ("J" HEAD OPTION)
<b>ITEM NO. 1: PUMP HEAD (PVC)</b>		
L0200300-PVC	1	A3, B3, K3 (STANDARD)
L0200400-PVC	1	B4, D4, G4, E4
L0200500-PVC	1	G5, H5, K5
L0200600-PVC	1	H6
L0200700-HPV	1	H7, K7
L0200800-HPV	1	H8
L0200900-PVC	1	A2 (STANDARD AND "J" HEAD OPTION)
L0201000-PVC	1	A3, B3, K3 ("J" HEAD OPTION)
<b>ITEM NO. 1: PUMP HEAD (SAN)</b>		
L0200300-SAN	1	A3
L0200400-SAN	1	B4, E4
L0200500-SAN	1	G5
L0200600-HSN	1	H6
L0200700-HSN	1	H7, K7
L0200800-HSN	1	H8
<b>ITEM NO. 1: PUMP HEAD (S.S. 316)</b>		
L0200200-316	1	A2, B2, K2
L0200300-316	1	A3, B3, D3
L0200400-316	1	B4, D4, E4, F4, G4, H4
L0200500-316	1	G5, H5
L0200600-316	1	H6
L0200700-316	1	H7, K7
<b>ITEM NO. 1: PUMP HEAD (PVDF)</b>		
L0200200-PVD	1	A2, B2, K2 (STANDARD)
L0200300-PVD	1	A3, B3, D3, K3 (STANDARD)
L0200400-PVD	1	B4, D4, E4
L0200500-PVD	1	G5, H5, K5
L0200600-PVD	1	H6
L0200700-PVD	1	H7, K7
L0200900-PVD	1	A2, B2, K2 ("J" HEAD OPTION)
L0201000-PVD	1	A3, B3, D3, K3 ("J" HEAD OPTION)
<b>ITEM NO. 2: DIAPHRAGM</b>		
L0300900-THY	1	A2, B2, K2
L0301000-THY	1	A3, B3, D3, K3
L0301100-THY	1	B4, D4, E4, F4, G4, H4
L0301200-THY	1	G5, H5, K5
L0301300-THY	1	H6
L0301400-THY	1	H7, K7
L0301600-THY	1	H8



[sales@novatech-usa.com](mailto:sales@novatech-usa.com)  
[www.novatech-usa.com](http://www.novatech-usa.com)  
 Tel: (866) 433-6682 Fax: (866) 433-6684  
 Tel: (281) 359-8538 Fax: (281) 359-0084

## SERIES MP, E PLUS, HV, AND SERIES E WETTED COMPONENT ASSEMBLIES (CONT.) PARTS IDENTIFICATION

\* More Series E models are shown beginning on page 10

PART NO.	QUANTITY	MODEL LM, LV, LP, LE (DIGITS 3, 4)
<b>ITEM NO. 3: DEFLECTION PLATE</b>		
L2100200-FPP	1	A2, B2, K2
L2100300-FPP	1	A3, B3, D3, K3
L2100400-FPP	1	B4, D4, E4, F4, G4, H4
L2100500-FPP	1	G5, H5, K5
L2100600-FPP	1	H6
L2100700-FPP	1	H7, K7
<b>ITEM NO. 4: ADAPTER (Requires P/N: L9808000-000 EPM Mounting Conversion kit)</b>		
L0400200-FPP	1	A2, B2, K2
L0400300-FPP	1	A3, B3, D3, K3
L0400400-FPP	1	B4, D4, E4, F4, G4, H4
L0400500-FPP	1	G5, K5
L0400600-FPP	1	H4
L0400700-FPP	1	H5
L0400800-FPP	1	H6
L0400900-FPP	1	H7, K7
L0401400-PPL	1	H8
<b>ITEM NO. 5: DIAPHRAGM SHIMS (KIT - CONTAINS 3 SHIMS)</b>		
L3900100-000	0-2	ALL MODELS
<b>ITEM NO. 6: EPM/ADAPTER O-RING</b>		
L1500400-NTR	1	A2, A3, B2, B3, B4, D3, D4, E4, F4, G4, G5, K2, K3, K5
L1500600-NTR	1	H4, H5, H6, H7, H8, K7
<b>ITEM NO. 7 &amp; 8: PUMP HEAD SCREWS AND WASHERS KIT (CONTAINS BOLTS AND WASHERS)</b>		
L3900200-000	4	A2, A3, B2, B3, B4, D3, D4, E4, F4, G4, H4, K2, K3
L3900300-000	4	G5, H5, H6, H7, K5, K7
L3900400-000	6	H8
L3900500-000 (S.S. Head Only)	4	A3, B3, D3, B4, D4, E4, F4, G4, H4, K2, K3
L3900600-000 (S.S. Head Only)	4	G5, H5, H6, H7, K5, K7
<b>ITEM NO. 9: SUCTION VALVE ASSEMBLY</b>		
Refer to the liquid end parts sheets that begin on page 23 for the wet end code of your pump or the price schedule		
<b>ITEM NO. 10: DISCHARGE VALVE ASSEMBLY</b>		
Refer to the liquid end parts sheets that begin on page 23 for the wet end code of your pump or the price schedule		
<b>ITEM NO. 11: BLEED VALVE ASSEMBLY (STANDARD)</b>		
Refer to the liquid end parts sheets that begin on page 23 for the wet end code of your pump or the price schedule		
<b>ITEM NO. 12: FOOT VALVE/STRAINER ASSEMBLY</b>		
Refer to the liquid end parts sheets that begin on page 23 for the wet end code of your pump or the price schedule		
<b>ITEM NO. 13: INJECTION/BACK PRESSURE VALVE ASSEMBLY</b>		
Refer to the liquid end parts sheets that begin on page 23 for the wet end code of your pump or the price schedule		
<b>ITEM NO. 18: SUCTION/DISCHARGE O-RING</b>		
L1501300-HYP	1 EACH	ALL MODELS
L1501300-TFE	1 EACH	ALL MODELS
L1501300-VTN	1 EACH	ALL MODELS
<b>ITEM NO. 24: COUPLING NUTS</b>		
Refer to the liquid end parts sheets that begin on page 23 for the wet end code of your pump or the price schedule		
<b>ITEM NO. 25: CERAMIC TUBE WEIGHT (INCLUDED WITH 39)</b>		
L9906700-000	1	MODELS WITH SUCTION TUBING $\leq$ 1/2" OD
<b>ITEM NO. 36: BLEED VALVE O-RING</b>		
L1501200-TFE	1	ALL MODELS
<b>ITEM NO. 39: FOOT VALVE/STRAINER ASSEMBLY WITH WEIGHT</b>		
Refer to the liquid end parts sheets that begin on page 23 for the wet end code of your pump or the price schedule		

\*For pumps with the J head option refer to page 21



## SERIES MP, E PLUS, HV, AND SERIES E DRIVE ASSEMBLY AND CONTROL PANEL PARTS IDENTIFICATION

\* More Series E models are shown beginning on page 10

PART NO.	QUANTITY	VOLTAGE	MODEL LM, LP, LE, LV (DIGITS 3, 4)
<b>ITEM NO. 40: ADAPTER SCREW</b>			
L9802600-188	4	H8 ONLY	
<b>ITEM NO. 41: ADAPTER WASHER</b>			
L9802800-188	4	H8 ONLY	
<b>ITEM NO. 50: EPM</b>			
L0100100-115	1	115V	A2, A3, B2, B3, B4, K2, K3
L0100100-230	1	230V	A2, A3, B2, B3, B4, K2, K3
L0100200-115	1	115V	D3, D4, E4
L0100200-230	1	230V	D3, D4, E4
L0100300-115	1	115V	F4, G4, G5, K5
L0100300-230	1	230V	F4, G4, G5, K5
L0100400-115	1	115V	H4, H5, H6, H7 (EXCEPT LVH7), K7, LMH8
L0100400-230	1	230V	H4, H5, H6, H7 (EXCEPT LVH7), K7, LMH8
L0100700-115	1	115V	LVH7, H8 (EXCEPT LMH8)
L0100700-230	1	230V	LVH7, H8 (EXCEPT LMH8)
<b>ITEM NO. 51: HOUSING</b>			
L0500100-080	1	-	H4, H5, H6, H7, H8, K7
L0501100-040	1	-	A2, A3, B2, B3, B4, D3, D4, F4, K2, K3
L0501100-080	1	-	E4, G4, G5, K5
<b>ITEM NO. 52: ELECTRONIC CONTROL BOARD - STANDARD (LE ONLY)</b>			
L0700701-125	1	115V	K2, K3
L0700702-125	1	230V	K2, K3
L0707501-150	1	115V	F4, G4, K5, G5
L0707502-150	1	230V	F4, G4, K5, G5
L0707601-200	1	115V	H4, H5, H6, H7, K7
L0707602-200	1	230V	H4, H5, H6, H7, K7
L0709401-220	1	115V	H8
L0709402-220	1	230V	H8
<b>ITEM NO. 52: ELECTRONIC CONTROL BOARD - STANDARD (LP &amp; LV ONLY)</b>			
L0700101-125	1	115V	A2, A3, B2, B3, B4, D3, D4, E4, K2, K3
L0700102-125	1	230V	A2, A3, B2, B3, B4, D3, D4, E4, K2, K3
L0700501-150	1	115V	F4, G4, G5, K5
L0700502-150	1	230V	F4, G4, G5, K5
L0700501-200	1	115V	H4, H5, H6, H7, (EXCEPT LVH7), K7
L0700502-200	1	230V	H4, H5, H6, H7, (EXCEPT LVH7), K7
L0709101-220	1	115V	LVH7, H8
L0709102-220	1	230V	LVH7, H8
<b>ITEM NO. 52: ELECTRONIC CONTROL BOARD - EXT/STOP (LP &amp; LV ONLY)</b>			
L0700201-125	1	115V	A2, A3, B2, B3, B4, D3, D4, E4, K2, K3
L0700202-125	1	230V	A2, A3, B2, B3, B4, D3, D4, E4, K2, K3
L0700801-150	1	115V	F4, G4, G5, K5
L0700802-150	1	230V	F4, G4, G5, K5
L0700801-200	1	115V	H4, H5, H6, H7, (EXCEPT LVH7), K7
L0700802-200	1	230V	H4, H5, H6, H7, (EXCEPT LVH7), K7
L0709301-220	1	115V	LVH7, H8
L0709302-220	1	230V	LVH7, H8
<b>ITEM NO. 52: ELECTRONIC CONTROL BOARD - 4-20mA/STOP (LP &amp; LV ONLY)</b>			
L0700401-125	1	115V	A2, A3, B2, B3, B4, D3, D4, E4, K2, K3
L0700402-125	1	230V	A2, A3, B2, B3, B4, D3, D4, E4, K2, K3
L0700901-150	1	115V	F4, G4, G5, K5
L0700902-150	1	230V	F4, G4, G5, K5
L0700901-200	1	115V	H4, H5, H6, H7, (EXCEPT LVH7), K7
L0700902-200	1	230V	H4, H5, H6, H7, (EXCEPT LVH7), K7
L0709201-220	1	115V	LVH7, H8
L0709202-220	1	230V	LVH7, H8
<b>ITEM NO. 52: ELECTRONIC CONTROL BOARD - SIGNAL LEVEL (LM ONLY)</b>			
***See Item #81			
<b>ITEM NO. 52: ELECTRONIC CONTROL BOARD - POWER LEVEL (LM ONLY)</b>			
*** See Item #81			

## SERIES MP, E PLUS, HV AND SERIES E DRIVE ASSEMBLY AND CONTROL PANEL (CONT.) PARTS IDENTIFICATION

\* More Series E models are shown beginning on page 10

PART NO.	QUANTITY	VOLTAGE	MODEL (DIGITS 3, 4)
<b>ITEM NO. 53: CONTROL PANEL - STANDARD (LE ONLY)</b>			
SEE ITEM #81	1	-	
<b>ITEM NO. 53: CONTROL PANEL - STANDARD (LP &amp; HV ONLY)</b>			
SEE ITEM #81	1	-	
<b>ITEM NO. 53: CONTROL PANEL - EXT/STOP AND 4-20mA/STOP (LP &amp; HV ONLY)</b>			
SEE ITEM #81	1	-	
<b>ITEM NO. 53: CONTROL PANEL - SIGNAL LEVEL (LM ONLY)</b>			
SEE ITEM #81	1	-	
<b>ITEM NO. 53: CONTROL PANEL - POWER LEVEL (LM ONLY)</b>			
SEE ITEM #81	1	-	
<b>ITEM NO. 54: DUST COVER ASSEMBLY (LM, HV, AND LP ONLY)</b>			
L1600500-000	1	-	A2, A3, B2, B3, B4, D3, D4, E4, F4, G4, G5, K2, K3, K5
L1600400-000	1	-	H4, H5, H6, H7, H8, K7
<b>ITEM NO. 55: FEMALE ADJUSTMENT SHAFT</b>			
L2000100-040	1	-	A2, A3, B2, B3, B4, D3, D4, F4, K2, K3
L2000100-080	1	-	E4, G4, G5, H4, H5, H6, H7, H8, K5, K7
<b>ITEM NO. 56: MALE ADJUSTMENT SHAFT</b>			
L2000300-PBT	1	-	ALL MODELS
<b>ITEM NO. 58: O-RING EPM/HOUSING</b>			
L1500400-NTR	1	-	A2, A3, B2, B3, B4, D3, D4, E4, F4, G4, G5, K2, K3, K5
L1500500-NTR	1	-	H4, H5, H6, H7, H8, K7
<b>ITEM NO. 59: CONTROL PANEL O-RING</b>			
L1500300-NTR	1	-	A2, A3, B2, B3, B4, D3, D4, E4, F4, G4, G5, K2, K3, K5
L1500500-NTR	1	-	H4, H5, H6, H7, H8, K7
<b>ITEM NO. 60: SECONDARY SEAL</b>			
L1500700-NTR	1	-	ALL MODELS
<b>ITEM NO. 62: POWER CORD</b>			
L9701200-000	1	115V	H4, H5, H6, H7, H8, K7
L9701300-000	1	230V	H4, H5, H6, H7, H8, K7
L9700301-000	1	115V	K2, B2, A2, D3, B3, A3, K3, F4, D4, B4, G4, E4, K5,
L9700401-000	1	230V	K2, B2, A2, D3, B3, A3, K3, F4, D4, B4, G4, E4, K5,
<b>ITEM NO. 63: OVERLOAD DEVICE (CIRCUIT BREAKER) OR FUSE HOLDER</b>			
L9700700-250	1	115V/230V	ALL MODELS WITH CIRCUIT BREAKER
L9706901-000	1	115V/230V	ALL MODELS WITH FUSE HOLDER
<b>ITEM NO. 64: CONTROL PANEL SCREWS</b>			
L9800200-188	7	-	ALL LM, HV, AND LP MODELS
L9800300-188	5	-	ALL LE MODELS
<b>ITEM NO. 65: GROMMET STROKE RATE/SWITCH</b>			
L1500800-NTR	2	-	ALL MODELS



sales@novatech-usa.com  
www.novatech-usa.com  
Tel: (866) 433-6682 Fax: (866) 433-6684  
Tel: (281) 359-8538 Fax: (281) 359-0084

# SERIES MP, E PLUS, HV, AND SERIES E DRIVE ASSEMBLY AND CONTROL PANEL (CONT.) PARTS IDENTIFICATION

\* More Series E models are shown beginning on page 10

PART NO.	QUANTITY	VOLTAGE	MODEL (DIGITS 3, 4)
<b>ITEM NO. 69: PIN PLUG - EXT/STOP &amp; 4-20mA/STOP (LP, LM &amp; LV ONLY)</b>			
L9700900-000	2 - 3	-	ALL MODELS
<b>ITEM NO. 74: EPM MOUNTING KIT (Kit includes 4 screws, 4 washers, and 4 nuts)</b>			
L9808000-000	1	-	A2, A3, B2, B3, B4, K2, K3
L9808000-000	1	-	D3, D4, E4, H4, H5, H6, H7, H8, K7
L9808000-000	1	-	F4, G4, G5, K5
<b>ITEM NO. 76: GROMMET STROKE LENGTH</b>			
L1500900-NTR	1	-	ALL MODELS
<b>ITEM NO. 78: SCREW, CIRCUIT BOARD MOUNTING (LM ONLY)</b>			
L9805300-STL	5	-	ALL MODELS
<b>ITEM NO. 81: CONTROL PANEL ASSEMBLY - STANDARD (DUAL FUNCTION) (LE ONLY)</b>			
L5024700-115	1	115V	K3
L5024700-230	1	230V	K3
L5024800-115	1	115V	F4, G4, G5
L5024800-230	1	230V	F4, G4, G5
L5025000-115	1	115V	H4, H5, H6, H7,
L5025000-230	1	230V	H4, H5, H6, H7,
L5024600-115	1	115V	K2
L5024600-230	1	230V	K2
L5024900-115	1	115V	K5
L5024900-230	1	230V	K5
L5025100-115	1	115V	K7
L5025100-230	1	230V	K7
L5028500-115	1	115V	H8
L5028500-230	1	230V	H8
<b>ITEM NO. 81: CONTROL PANEL ASSEMBLY - STANDARD (DUAL FUNCTION) (LP &amp; LV ONLY)</b>			
L5000801-115	1	115V	A2, A3, B2, B3, B4, D3, D4, E4, K3
L5000801-230	1	230V	A2, A3, B2, B3, B4, D3, D4, E4, K3
L5000301-115	1	115V	F4, G4, G5
L5000301-230	1	230V	F4, G4, G5
L5001301-115	1	115V	H4, H5, H6, H7, (EXCEPT LVH7)
L5001301-230	1	230V	H4, H5, H6, H7, (EXCEPT LVH7)
L5028201-115	1	115V	LVH7, H8
L5028201-230	1	230V	LVH7, H8
L5003011-115	1	115V	K2
L5003011-230	1	230V	K2
L5003012-115	1	115V	K5
L5003012-230	1	230V	K5
L5003701-115	1	115V	K7
L5003701-230	1	230V	K7
<b>ITEM NO. 81: CONTROL PANEL ASSEMBLY - EXTERNAL/STOP (LP &amp; LV ONLY)</b>			
L5000901-115	1	115V	A2, A3, B2, B3, B4, D3, D4, E4, K3
L5000901-230	1	230V	A2, A3, B2, B3, B4, D3, D4, E4, K3
L5000401-115	1	115V	F4, G4, G5
L5000401-230	1	230V	F4, G4, G5
L5001401-115	1	115V	H4, H5, H6, H7, (EXCEPT LVH7)
L5001401-230	1	230V	H4, H5, H6, H7, (EXCEPT LVH7)
L5028301-115	1	115V	LVH7, H8
L5028301-230	1	230V	LVH7, H8
L5003013-115	1	115V	K2
L5003013-230	1	230V	K2
L5003014-115	1	115V	K5
L5003014-230	1	230V	K5
L5003801-115	1	115V	K7
L5003801-230	1	230V	K7



sales@novatech-usa.com  
www.novatech-usa.com  
Tel: (866) 433-6682 Fax: (866) 433-6684  
Tel: (281) 359-8538 Fax: (281) 359-0084

## SERIES MP, E PLUS, HV AND SERIES E DRIVE ASSEMBLY AND CONTROL PANEL (CONT.) PARTS IDENTIFICATION

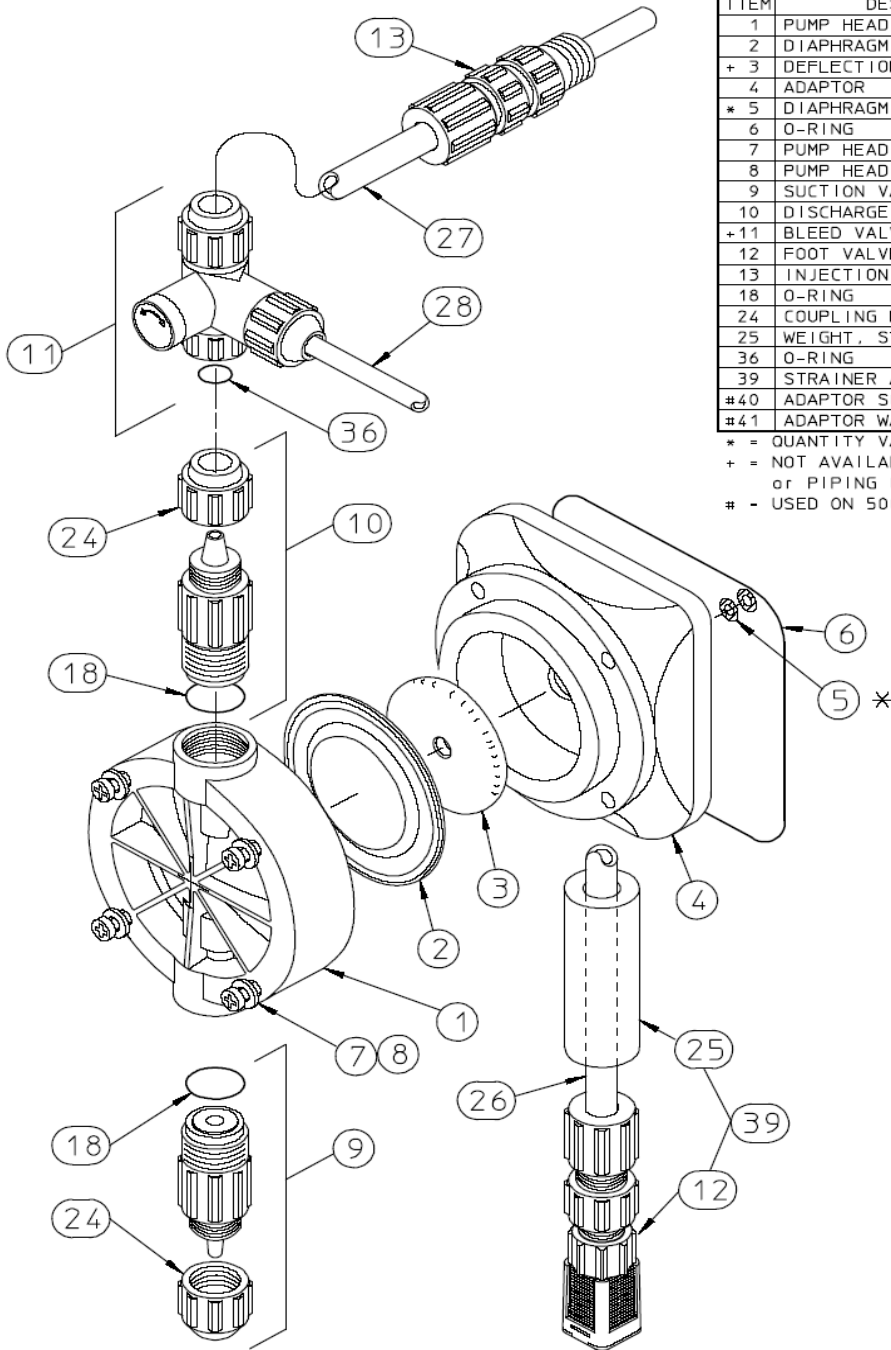
\* More Series E models are shown beginning on page 10

PART NO.	QUANTITY	VOLTAGE	MODEL (DIGITS 3, 4)
<b>ITEM NO. 81: CONTROL PANEL ASSEMBLY - 4-20mA/STOP (LP &amp; LV ONLY)</b>			
L5001001-115	1	115V	A2, A3, B2, B3, B4, D3, D4, E4, K3
L5001001-230	1	230V	A2, A3, B2, B3, B4, D3, D4, E4, K3
L5000501-115	1	115V	F4, G4, G5
L5000501-230	1	230V	F4, G4, G5
L5001501-115	1	115V	H4, H5, H6, H7, (EXCEPT LVH7)
L5001501-230	1	230V	H4, H5, H6, H7, (EXCEPT LVH7)
L5028401-115	1	115V	LVH7, H8
L5028401-230	1	230V	LVH7, H8
L5003015-115	1	115V	K2
L5003015-230	1	230V	K2
L5003016-115	1	115V	K5
L5003016-230	1	230V	K5
L5003903-115	1	115V	K7
L5003903-230	1	230V	K7
<b>ITEM NO. 81: CONTROL PANEL ASSEMBLY - SIGNAL LEVEL (LM ONLY)</b>			
L5007301-115	1	115V	A2, A3, B2, B3, B4, D3, D4, E4, K3
L5007301-230	1	230V	A2, A3, B2, B3, B4, D3, D4, E4, K3
L5007501-115	1	115V	K2
L5007501-230	1	230V	K2
L5007101-115	1	115V	F4, G4, G5
L5007101-230	1	230V	F4, G4, G5
L5007701-115	1	115V	K5
L5007701-230	1	230V	K5
L5006901-115	1	115V	H4, H5, H6, H7, H8
L5006901-230	1	230V	H4, H5, H6, H7, H8
L5007901-115	1	115V	K7
L5007901-230	1	230V	K7
<b>ITEM NO. 81: CONTROL PANEL ASSEMBLY - POWER LEVEL (LM ONLY)</b>			
L5007401-115	1	115V	A2, A3, B2, B3, B4, D3, D4, E4, K3
L5007401-230	1	230V	A2, A3, B2, B3, B4, D3, D4, E4, K3
L5007601-115	1	115V	K2
L5007601-230	1	230V	K2
L5007201-115	1	115V	F4, G4, G5
L5007201-230	1	230V	F4, G4, G5
L5007801-115	1	115V	K5
L5007801-230	1	230V	K5
L5007001-115	1	115V	H4, H5, H6, H7, H8
L5007001-230	1	230V	H4, H5, H6, H7, H8
L5008001-115	1	115V	K7
L5008001-230	1	230V	K7
<b>ITEM NO. 85: STOP/FUNC. CORDS</b>			
L9700200-000	2 - 3	-	ALL MODELS
<b>ITEM NO. 92: BREAKER COVER</b>			
L9700800-000	1	-	ALL MODELS WITH CIRCUIT BREAKER
<b>ITEM NO. 106: STROKE LENGTH KNOB KIT</b>			
L3900900-000	1	-	ALL MODELS
<b>ITEM NO. 107: GROUND LUG KIT (CONTAINS 1 BOLT AND 3 NUTS)</b>			
L3901000-000	1	-	ALL MODELS
<b>ITEM NO. 108: KNOB, STROKE RATE/SWITCH WITH SET SCREW</b>			
L1900800-000	2	-	ALL MODELS



sales@novatech-usa.com  
www.novatech-usa.com  
Tel: (866) 433-6682 Fax: (866) 433-6684  
Tel: (281) 359-8538 Fax: (281) 359-0084

# SERIES A PLUS, C, C PLUS, E AND E-DC WETTED COMPONENT ASSEMBLIES PARTS IDENTIFICATION

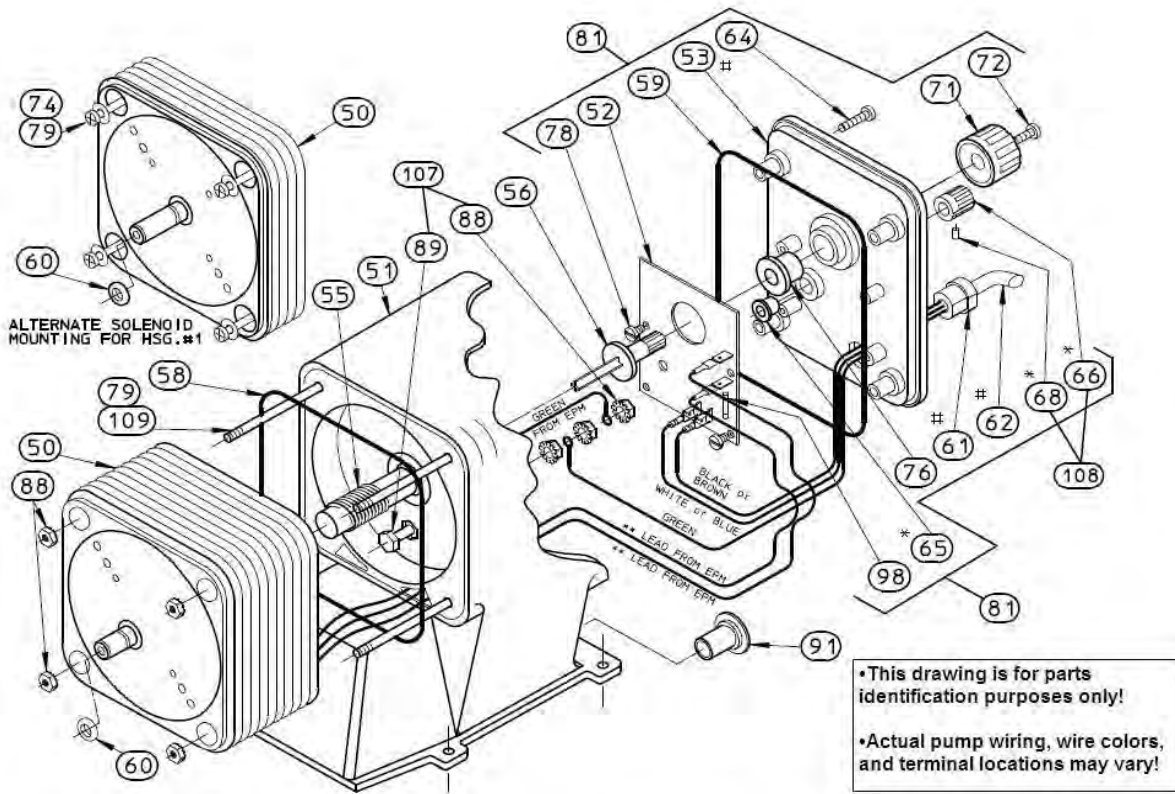


ITEM	DESCRIPTION	QTY
1	PUMP HEAD	1
2	DIAPHRAGM	1
+ 3	DEFLECTION PLATE	1
4	ADAPTOR	1
* 5	DIAPHRAGM SHIMS	0-2
6	O-RING	1
7	PUMP HEAD SCREWS	4-6
8	PUMP HEAD WASHERS	4-6
9	SUCTION VALVE CARTRIDGE ASSY	1
10	DISCHARGE VALVE CARTRIDGE ASSY	1
+11	BLEED VALVE ASSEMBLY	1
12	FOOT VALVE/STRAINER ASSEMBLY	1
13	INJECTION VALVE ASSEMBLY	1
18	O-RING	2
24	COUPLING NUT	2
25	WEIGHT, STRAINER	1
36	O-RING	1
39	STRAINER ASSEMBLY w/ WEIGHT	REF
#40	ADAPTOR SCREW	4
#41	ADAPTOR WASHER	4

\* = QUANTITY VARIES. SHIM AS REQUIRED.  
 + = NOT AVAILABLE ON 500-GPD MODEL (H8)  
 or PIPING CONNECTIONS.  
 # = USED ON 500-GPD MODEL (H8) ONLY.

AC00275.alt  
 15-J-6  
 1:3

# SERIES A PLUS, C, C PLUS, E AND E-DC DRIVE ASSEMBLY AND CONTROL PANEL PARTS IDENTIFICATION

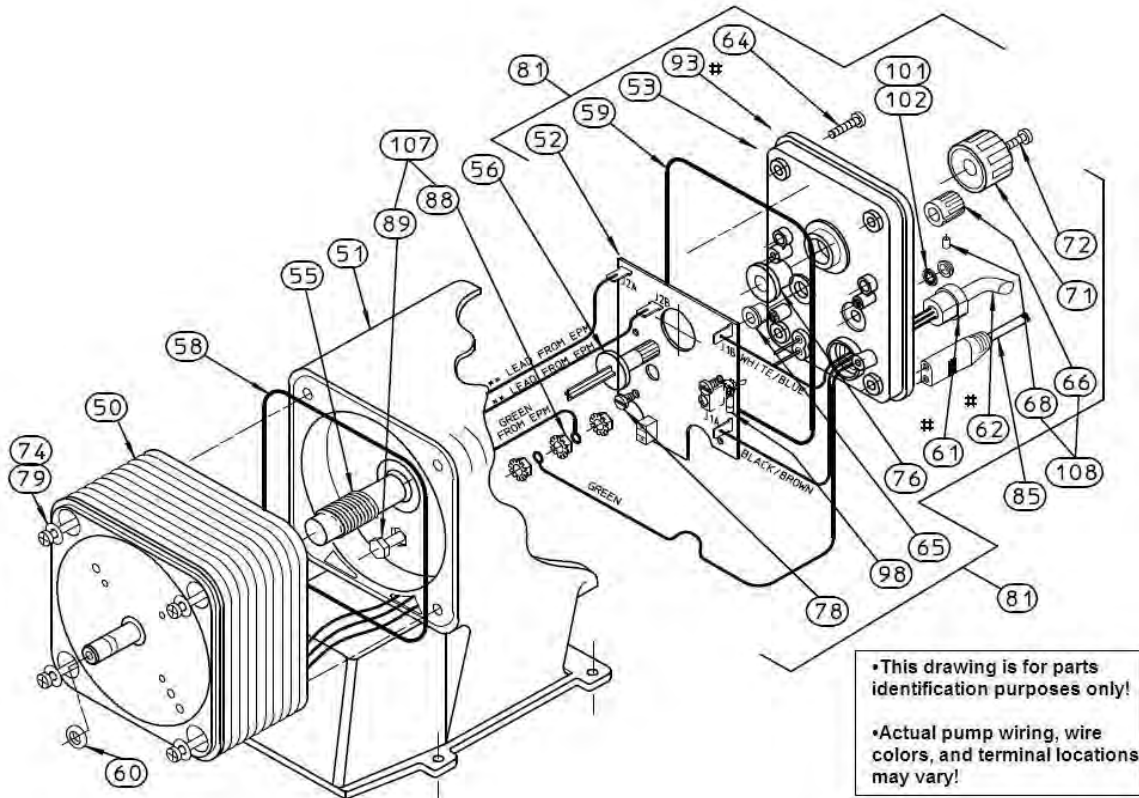


ITEM	PART NAME	QTY	ITEM	PART NAME	QTY
50	ELECTRONIC POWER MODULE	1	72	SCREW, KNOB MOUNTING	1
51	HOUSING	1	74	SCREW, EPM MOUNTING(HSG.#1)	4
52	ELECTRONIC CONTROL BOARD	1	76	GROMMET, STROKE LENGTH	1
53*	CONTROL PANEL	1	77*	PANEL LABEL(NOT SHOWN)	1
55	FEMALE ADJUSTMENT SHAFT	1	78	SCREW,ELECTRONIC CONTROL BOARD	2
56	MALE ADJUSTMENT SHAFT	1	79	EPM MOUNTING WASHER	4
57	EPM RETAINING PLATE	1	81	CONTROL PANEL ASSEMBLY	REF
58	EPM/HOUSING O-RING	1	88+	GROUND LUG NUT w/ WASHER	3
59	CONTROL PANEL O-RING	1	89+	GROUND LUG BOLT	1
60	SECONDARY SEAL	1	91	PLUG, WIRE ENTRY(#3 HSG. ONLY)	1
61*	STRAIN RELIEF	1	93	CONTROL PANEL SUB-ASSEMBLY	REF
62*	POWER CORD	1	98	FUSE	1
64	CONTROL PANEL SCREW	4-5	107	GROUND LUG KIT	REF
65*	GROMMET,STROKE RATE/SWITCH	1	108	STROKE RATE KNOB KIT	REF
68*	KNOB,SET SCREW	1	109	SCREW, EPM MOUNTING(HSG.#2/3)	4
71	KNOB, STROKE LENGTH	1			

- \* - COMPONENTS OF ITEM #93.
- \* - THESE ITEMS NOT USED ON 'LC' MODEL PUMPS.
- \*\* - 115 VOLT EPM UNITS HAVE GREY LEADS.
- \*\* - 230 VOLT EPM UNITS HAVE RED LEADS.
- \*\* - 12 vDC EPM UNITS HAVE WHITE LEADS.
- + - THESE ITEMS ARE NOT USED ON 12vDC POWERED UNITS.

AC00277.001  
14-J-05

# SERIES A PLUS, C AND C PLUS (EXTERNAL PACE) DRIVE ASSEMBLY AND CONTROL PANEL PARTS IDENTIFICATION



•This drawing is for parts identification purposes only!  
•Actual pump wiring, wire colors, and terminal locations may vary!

ITEM	DESCRIPTION	QTY	ITEM	DESCRIPTION	QTY
50	ELEC. POWER MODULE(EPM)	1	72	SCREW, KNOB MOUNTING	1
51	HOUSING	1	74	SCREW, EPM MOUNTING	4
52	ELECTRONIC CONTROL BOARD	1	76	GROMMET, STROKE LENGTH	1
53#	CONTROL PANEL	1	77#	LABEL, PANEL (NOT SHOWN)	1
55	SHAFT, FEMALE ADJUSTMENT	1	78	SCREW, ELEC. CTRL. BOARD	2
56	SHAFT, MALE ADJUSTMENT	1	79	WASHER, EPM MOUNTING	4
58	O-RING, EPM/HOUSING	1	81	CONTROL PANEL ASSEMBLY	1
59	O-RING, CONTROL PANEL	1	88	GROUND LUG NUT w/ WASHER	3
60	SECONDARY SEAL	1	89	GROUND LUG BOLT	1
61#	STRAIN RELIEF	1	93	CONTROL PANEL SUB-ASSEMBLY	1
62#	POWER CORD	1	98	FUSE	1
64	SCREW, CONTROL PANEL	4	101	WASHER, INT. LOCK TOGGLE	1
65	GROMMET, STROKE RATE/SWITCH	1	102	NUT, PANEL TOGGLE	1
66	KNOB, STROKE RATE	1	107	GROUND LUG KIT	REF
68	KNOB MOUNTING SCREW	1	108	STROKE RATE KNOB KIT	REF
71	KNOB, STROKE LENGTH	1			

# = COMPONENTS OF ITEM #93.  
\*\* = 115 VOLT EPM UNITS HAVE GREY LEADS,  
230 VOLT EPM UNITS HAVE RED LEADS.

**SERIES A+C+ EXT.**  
**DRIVE ASSEMBLY**  
HMK 14-E-04  
10-25-95 AC00291.001

## SERIES A PLUS, C, C PLUS, E AND E-DC WETTED COMPONENT ASSEMBLIES PARTS IDENTIFICATION

- \* Product Class: Series A-Plus = LB, Series C = LC, Series C-Plus = LD, Series E = LE Series E-DC = LS
- \* Digits 3 & 4 are provided in charts for proper model identification.
- \* Complete model information is published in the price schedule.
- \* When X appears under product class it signifies part is not used or is not available.

PART NO.	QUANTITY	LC, LD MODELS (DIGIT 3, 4)	LB, LE, LS MODELS (DIGIT 3, 4)
<b>ITEM NO. 1: PUMP HEAD (GFPPL)</b>			
L0200200-FPP	1	02 (STANDARD)	02, 12 (STANDARD)
L0200300-FPP	1	03, (STANDARD)	03, C3, 13, 33 (STANDARD)
L0200400-FPP	1	04, 54	04, 14, 34, 44, 64, C4
L0200900-FPP	1	02 ("J" HEAD OPTION)	02, 12 ("J" HEAD OPTION)
L0201000-FPP	1	03, ("J" HEAD OPTION)	03, C3, 13, 33 ("J" HEAD OPTION)
<b>ITEM NO. 1: PUMP HEAD (PVC)</b>			
L0200300-PVC	1	03, (STANDARD)	03, C3, 13 (STANDARD)
L0200400-PVC	1	04, 54	04, 14, 34, 44, 64, C4
L0200900-PVC	1	02 (STD & "J" HEAD OPTION)	02 (STD & "J" HEAD OPTION)
L0201000-PVC	1	03, ("J" HEAD OPTION)	03, C3, 13 ("J" HEAD OPTION)
<b>ITEM NO. 1: PUMP HEAD (SAN)</b>			
L0200200-SAN	1	02	X
L0200300-SAN	1	03,	03, (LE ONLY)
L0200400-SAN	1	04, 54	04, 14, 44, 64, C4
<b>ITEM NO. 1: PUMP HEAD (PVDF)</b>			
L0200200-PVD	1	02 (STANDARD)	02, 12 (STANDARD)
L0200300-PVD	1	03, (STANDARD)	03, C3, 13, 33 (STANDARD)
L0200400-PVD	1	04, 54	04, 14, 34, 44, 64, C4
L0200900-PVD	1	02 ("J" HEAD OPTION)	02, 12 ("J" HEAD)
L0201000-PVD	1	03, ("J" HEAD OPTION)	03, C3, 13, 33 ("J" HEAD)
<b>ITEM NO. 1: PUMP HEAD (S.S. 316)</b>			
L0200200-316	1	02	02, 12
L0200300-316	1	03,	03, C3, 13, 33
L0200400-316	1	04, 54	04, 14, 34, 44, 64, C4
<b>ITEM NO. 2: DIAPHRAGM</b>			
L0300900-THY	1	02	02, 12
L0301000-THY	1	03,	03, C3, 13, 33
L0301100-THY	1	04, 54	04, 14, 34, 44, 64, C4
<b>ITEM NO. 3: DEFLECTION PLATE</b>			
L2100200-FPP	1	02	02, 12
L2100300-FPP	1	03,	03, C3, 13, 33
L2100400-FPP	1	04, 54	04, 14, 34, 44, 64, C4
<b>ITEM NO. 4: ADAPTOR</b>			
L0401100-FPP	1	02	02, 12
L0401200-FPP	1	03,	03, C3, 13
L0401300-FPP	1	04, 54	04, 14, 64, C4
L0400300-FPP	1	X	33
L0400400-FPP	1	X	34, 44
<b>ITEM NO. 5: DIAPHRAGM SHIMS (KIT)</b>			
L3900100-000	0-2	ALL MODELS	ALL MODELS
<b>ITEM NO. 6: EPM/ADAPTER O-RING</b>			
L1502000-EPB	1	ALL MODELS	02, 03, C3, 04, 12, 13, 14, 64, C4
L1500400-NTR	1	X	33, 34, 44



**SERIES A PLUS, C, C PLUS, E AND E-DC  
WETTED COMPONENT ASSEMBLIES (CONT.)  
PARTS IDENTIFICATION**

<b>PART NO.</b>	<b>QUANTITY</b>	<b>LC, LD MODELS (DIGIT 3, 4)</b>	<b>LB, LE, LS MODELS (DIGIT 3, 4)</b>
-----------------	-----------------	---------------------------------------	---

**ITEM NO. 7 & 8: PUMP HEAD SCREWS AND WASHERS KIT (CONTAINS 4 BOLTS AND 4 WASHERS)**

L3900200-000	4	ALL MODELS	ALL MODELS
L3900500-000 (316 HEAD)	4	ALL MODELS	ALL MODELS

**ITEM NO. 9: SUCTION VALVE ASSEMBLY**

Refer to the liquid end parts sheets that begin on page 23 for the wet end code of your pump or the price schedule

**ITEM NO. 10: DISCHARGE VALVE ASSEMBLY**

Refer to the liquid end parts sheets that begin on page 23 for the wet end code of your pump or the price schedule

**ITEM NO. 11: BLEED VALVE ASSEMBLY**

Refer to the liquid end parts sheets that begin on page 23 for the wet end code of your pump or the price schedule

**ITEM NO. 12: FOOT VALVE/STRAINER ASSEMBLY**

Refer to the liquid end parts sheets that begin on page 23 for the wet end code of your pump or the price schedule

**ITEM NO. 13: INJECTION/BACK PRESSURE VALVE**

Refer to the liquid end parts sheets that begin on page 23 for the wet end code of your pump or the price schedule

**ITEM NO. 18: SUCTION/DISCHARGE O-RING**

L1501300-HYP	1 EACH	ALL MODELS	ALL MODELS
L1501300-TFE	1 EACH	ALL MODELS	ALL MODELS
L1501300-VTN	1 EACH	ALL MODELS	ALL MODELS

**ITEM NO. 24: COUPLING NUT**

Refer to the liquid end parts sheets that begin on page 23 for the wet end code of your pump or the price schedule

**ITEM NO. 25: CERAMIC TUBE WEIGHT (INCLUDED WITH 39)**

L9906700-000	1	SEE WET END PARTS SHEETS BEGINNING ON PAGE 23	
--------------	---	---	--

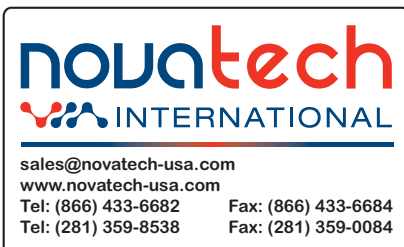
**ITEM NO. 36: BLEED VALVE O-RING**

L1501200-TFE	1	ALL MODELS	ALL MODELS
--------------	---	------------	------------

**ITEM NO. 39: FOOT VALVE/STRAINER ASSEMBLY WITH WEIGHT**

Refer to the liquid end parts sheets that begin on page 23 for the wet end code of your pump or the price schedule

\* FOR PUMPS WITH THE HEAD START OPTION (J HEAD), REFER TO PAGE 21 FOR PARTS IDENTIFICATION.



**SERIES A PLUS, C, C PLUS, E AND E-DC  
DRIVE ASSEMBLY AND CONTROL PANEL (CONT.)  
PARTS IDENTIFICATION**

PART NO.	QUANTITY	VOLTAGE	LC, LD MODELS (DIGIT 3, 4)	LB, LE, LS MODELS (DIGIT 3, 4)
<b>ITEM NO. 50: EPM</b>				
L0100200-115	1	115V	X	LE 33, 34, 44
L0100200-230	1	230V	X	LE 33, 34, 44
L0100500-115	1	115V	54 (LC ONLY)	64, C4,
L0100500-230	1	230V	54 (LC ONLY)	64, C4,
L0100600-115	1	115V	X	LE 02, 03, 12, 13, 14
L0100600-230	1	230V	X	LE 02, 03, 12, 13, 14
L0100500-115	1	115V	02, 03, 04	LB 02, 03,C3, 04
L0100500-230	1	230V	02, 03, 04	LB 02, 03,C3, 04
L0100500-115	1	115V	54 (LD ONLY)	X
L0100500-230	1	230V	54 (LD ONLY)	X
L0100200-012	1	12 VDC	X	LS 44
L0100600-012	1	12 VDC	X	LS 02, 13, 14
<b>ITEM NO. 51: HOUSING</b>				
L0500300-040	1	-	02,03,04	02, 03,C3, 04, 12, 13, 14
L0500300-080	1	-	54	64, C4
L0501100-040	1	-	X	33, 34
L0501100-080	1	-	X	44
<b>ITEM NO. 52: ELECTRONIC CONTROL BOARD (DUAL FUNCTION)</b>				
L9906201-000	1	115V	ALL LD MODELS	ALL LB MODELS LE02,03,12,13,14,34,33,44
L9906202-000	1	230V	ALL LD MODELS	ALL LB MODELS LE 02,03,12,13,14,34,33,44
L9906500-000	1	115V	ALL LC MODELS	X
L9906600-000	1	230V	ALL LC MODELS	X
L0701900-150	1	12 VDC	X	ALL LS MODELS
<b>ITEM NO. 52: ELECTRONIC CONTROL BOARD (EXTERNAL PACED MODELS)</b>				
***See Item #81				
<b>ITEM NO. 53: CONTROL PANEL</b>				
L0601000-000	1	-	ALL MODELS	02, 03, C3, 04, 12, 13, 14, 64, C4
L0601100-000	1	-	X	33, 34, 44
<b>ITEM NO. 55: FEMALE ADJUSTMENT SHAFT</b>				
L2000200-040	1	-	02,03,04	02, 03,C3, 04, 12, 13, 14
L2000200-080	1	-	54	64, C4
L2000100-040	1	-	X	33, 34
L2000100-080	1	-	X	44
<b>ITEM NO. 56: MALE ADJUSTMENT SHAFT</b>				
L2000400-PBT	1	-	ALL MODELS	02, 03,C3,04, 12, 13, 14, 64, C4
L2000300-PBT	1	-	X	33, 34, 44
<b>ITEM NO. 58: O-RING, EMP/HOUSING</b>				
L1502000-EPB	1	-	ALL MODELS	02, 03, C3,04, 12, 13, 14, 64, C4
L1500400-NTR	1	-	X	33, 34, 44
<b>ITEM NO. 59: CONTROL PANEL O-RING</b>				
L1500100-EPB	1	-	ALL MODELS	02, 03,C3, 04, 12, 13, 14, 64, C4
L1500300-NTR	1	-	X	33, 34, 44

**SERIES A PLUS, C, C PLUS, E AND E-DC  
DRIVE ASSEMBLY AND CONTROL PANEL (CONT.)  
PARTS IDENTIFICATION**

PART NO.	QUANTITY	VOLTAGE	LC, LD MODELS (DIGIT 3, 4)	LB, LE, LS MODELS (DIGIT 3, 4)
<b>ITEM NO. 60: SECONDARY SEAL</b>				
L1500700-NTR	1	-	ALL MODELS	ALL MODELS
<b>ITEM NO. 61: STRAIN RELIEF</b>				
L9900700-000	1	-	ALL MODELS	ALL LB, LS MODELS LE02,03,12,13,14,34,33,44
<b>ITEM NO. 62: POWER CORD</b>				
L9700300-000	1	115V	ALL MODELS	ALL LB, MODELS LE02,03,12,13,14,34,33,44
L9700400-000	1	230V	ALL MODELS	ALL LB, MODELS LE02,03,12,13,14,34,33,44
L9703500-000	1	12 VDC	ALL MODELS	ALL LS MODELS
<b>ITEM NO. 63: OVERLOAD DEVICE (STANDARD MANUAL)</b>				
L9711200-000	1	115V/230V	ALL MODELS	ALL LB, MODELS LE02,03,12,13,14,34,33,44
L9704700-000	1	12 VDC	X	ALL LS MODELS
<b>ITEM NO. 63: OVERLOAD DEVICE (EXTERNAL PACED MODELS)</b>				
L9707300-000	1	115V/230V	ALL MODELS	ALL MODELS
<b>ITEM NO. 64: CONTROL PANEL SCREW (KIT)</b>				
L3900700-000	4	-	ALL MODELS	ALL LB LS MODELS LE02,03,12,13,14,34,33,44
<b>ITEM NO. 65: GROMMET, STROKE RATE/SWITCH</b>				
L1500800-NTR	1	-	ALL LD MODELS	ALL MODELS
<b>ITEM NO. 71: STROKE LENGTH KNOB</b>				
L1900300-FPP	1	-	ALL MODELS	ALL MODELS
<b>ITEM NO. 72: MOUNTING SCREW STROKE LENGTH KNOB</b>				
L9800200-188	1	-	ALL MODELS	ALL MODELS
<b>ITEM NO. 74: EPM MOUNTING SCREWS</b>				
L9800300-STL	4	-	ALL MODELS	02, 03, C3,04, 12, 13, 14, 64, C4
L9808000-000 (screw Kit)	1	-	X	33, 34, 44
<b>ITEM NO. 76: GROMMET STROKE LENGTH</b>				
L1500900-NTR	1	-	ALL MODELS	ALL MODELS
<b>ITEM NO. 78: ELECTRONIC CONTROL BOARD SCREW KIT</b>				
L9907600-000	1	-	ALL MODELS	ALL LB LS MODELS LE02,03,12,13,14,34,33,44
<b>ITEM NO. 79: EPM MOUNTING WASHER</b>				
L9801900-STL	4	-	ALL MODELS	02, 03,C3, 04, 12, 13, 14, 64,C4
L9800700-STL	4	-	X	33, 34, 44
<b>ITEM NO. 81: CONTROL PANEL ASSEMBLY (DUAL FUNCTION)</b>				
L5000100-012	1	12 VDC	X	LS 02, 13, 14
L5000100-115	1	115V	X	02, 03, 04, 12, 13, 14
L5000100-230	1	230V	X	02, 03,04, 12, 13, 14
L5000101-115	1	115V	LD 02, 03, 04	X
L5005300-230	1	230V	LD 02, 03, 04	X
L5000200-012	1	12 VDC	X	44 (LS ONLY)
L5000200-115	1	115V	X	33, 34, 44
L5000200-230	1	230V	X	33, 34, 44
L5004100-115	1	115V	54 (LD ONLY)	X
L5004100-230	1	230V	54 (LD ONLY)	X
L5004800-115	1	115V	X	64
L5004900-230	1	230V	X	64
L5005200-115	1	115V	X	LB 02, 03, C3,04,C4
L5005300-230	1	230V	X	LB 02, 03,C3, 04,C4



sales@novatech-usa.com  
www.novatech-usa.com  
Tel: (866) 433-6682 Fax: (866) 433-6684  
Tel: (281) 359-8538 Fax: (281) 359-0084

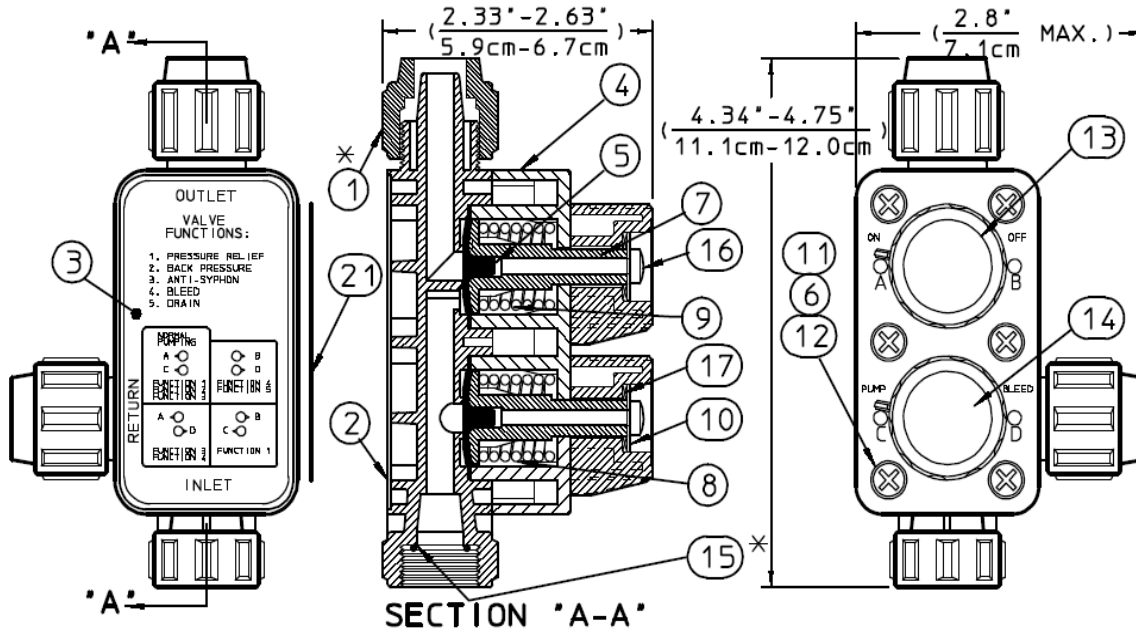
## SERIES A PLUS, C, C PLUS, E AND E-DC DRIVE ASSEMBLY AND CONTROL PANEL (CONT.)

PART NO.	QUANTITY	VOLTAGE	LC, LD MODELS (DIGIT 3, 4)	LB, LE, LS MODELS (DIGIT 3, 4)
<b>ITEM NO. 81: CONTROL PANEL ASSEMBLY (SINGLE FUNCTION) FIXED FREQ.</b>				
L5002900-115	1	115V	02, 03, 04	X
L5002900-230	1	230V	02, 03, 04	X
L5003000-115	1	115V	54	X
L5003000-230	1	230V	54	X
<b>ITEM NO. 81: CONTROL PANEL ASSEMBLY (EXTERNAL PACED MODELS)</b>				
L5013000-115	1	115V	LC 02, 03, 04	X
L5013000-230	1	230V	LC 02, 03,04	X
L5011000-115	1	115V	54 (LC ONLY)	X
L5011000-230	1	230V	54 (LC ONLY)	X
L5009300-115	1	115V	X	LB 02, 03,C3, 04,C4
L5009300-230	1	230V	X	LB 02, 03,C3,04,C4
L5010900-115	1	115V	X	64 (LB ONLY)
L5010900-230	1	230V	X	64 (LB ONLY)
<b>ITEM NO. 85: SIGNAL CORD (EXTERNAL PACED MODELS)</b>				
L9700200-000	1	-	ALL MODELS	ALL MODELS
<b>ITEM NO. 101: LOCKWASHER (EXTERNAL PACED MODELS)</b>				
L9708700-000	1	-	ALL MODELS	ALL MODELS
<b>ITEM NO. 102: PANEL NUT (EXTERNAL PACED MODELS)</b>				
L9708600-000	1	-	ALL MODELS	ALL MODELS
<b>ITEM NO. 107: GROUND LUG KIT (CONTAINS 1 BOLT AND 3 NUTS)</b>				
L3901000-000	1	-	ALL MODELS	ALL MODELS
<b>ITEM NO. 108: KNOB, STROKE RATE/SWITCH WITH SET SCREW</b>				
L1900800-000	2	-	ALL LD MODELS	ALL MODELS



[sales@novatech-usa.com](mailto:sales@novatech-usa.com)  
[www.novatech-usa.com](http://www.novatech-usa.com)  
 Tel: (866) 433-6682 Fax: (866) 433-6684  
 Tel: (281) 359-8538 Fax: (281) 359-0084

# FIVE FUNCTION VALVE PARTS IDENTIFICATION



ITEM	DESCRIPTION	QTY	ITEM	DESCRIPTION	QTY
* 1	COUPLING NUT, .38" O.D.(FPP)	2	9	SPRING	1
	COUPLING NUT, .38" O.D.(PVD)		10	FLAT WASHER	2
	COUPLING NUT, .50" O.D.(FPP)		11	SCREW, FILLISTER #10-32x1.5" lg.	6
	COUPLING NUT, .50" O.D.(PVD)		12	NUT, HEX #10-32 x .13" thk.	6
2	BODY, VALVE, .25"-NPT(FPP)	1	13	LABEL, KNOB (BLACK)	1
	BODY, VALVE, .25"-NPT(PVD)		14	LABEL, KNOB 40psi (BLACK)	1
	BODY, VALVE, .38" O.D.TUBE(FPP)			LABEL, KNOB 100psi (BLUE)	
	BODY, VALVE, .38" O.D.TUBE(PVD)			LABEL, KNOB 150psi (GREEN)	
	BODY, VALVE, .50" O.D.TUBE(FPP)			LABEL, KNOB 250psi (RED)	
	BODY, VALVE, .50" O.D.TUBE(PVD)			* 15	GASKET, O-RING, TFE
3	LABEL, 5-FUNCTION	1	16	SCREW, SELF-TAP .75" lg.	2
4	BODY BLOCK	1	17	SPRING, CURVED WASHER	3
5	DIAPHRAGM ASSEMBLY	2		SPRING, CURVED WASHER (250-psi)	2
6	WASHER, FLAT	12	20	MANUAL, 5-FUNCTION VALVE	1
7	KNOB, ADJUSTMENT	2	21	LABEL, 5-FUNCTION VALVE MODEL	1
8	SPRING, PRV, 40psi	1			
	SPRING, PRV, 100psi				
	SPRING, PRV, 150psi				
	SPRING, PRV, 250psi				

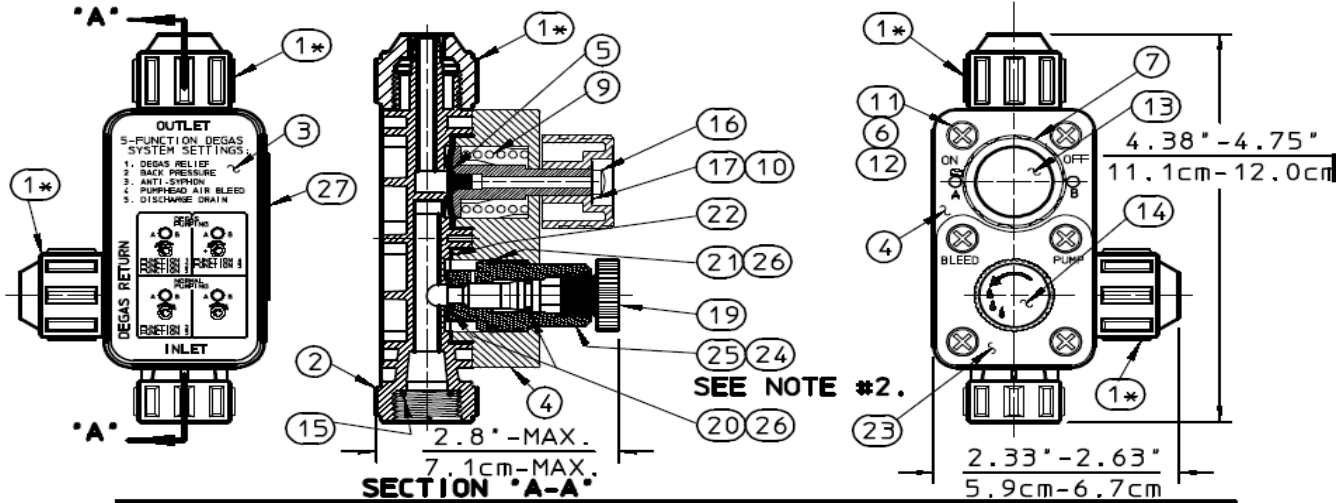
\* = REQUIRED FOR VALVES WITH TUBING CONNECTIONS ONLY.

AC00279.001  
14-E-04

## FIVE FUNCTION VALVE PARTS IDENTIFICATION

PART NO.	QUANTITY	SIZE	FIVE FUNCTION VALVES
<b>ITEM NO. 1: COUPLING NUT</b>			
L1100300-FPP	2	.38" O.D.	5 FUNC VLV in FPP w/ .38"OD CONNECT.
L1100300-PVD	2	.38" O.D.	5 FUNC VLV in PVD w/ .38"OD CONNECT.
L1100400-FPP	2	.50" O.D.	5 FUNC VLV in FPP w/ .5"OD CONNECT.
L1100400-PVD	2	.50" O.D.	5 FUNC VLV in PVD w/ .5"OD CONNECT.
<b>ITEM NO. 2: BODY, VALVE</b>			
L1103900-FPP	1	.25" -NPT	5 FUNC VLV in FPP w/ .25"NPT CONNECT.
L1103900-PVD	1	.25" -NPT	5 FUNC VLV in PVD w/ .25"NPT CONNECT.
L1104000-FPP	1	.38" O.D. TUBE	5 FUNC VLV in FPP w/ .38"OD CONNECT.
L1104000-PVD	1	.38" O.D. TUBE	5 FUNC VLV in PVD w/ .38"OD CONNECT.
L1104100-FPP	1	.50" O.D. TUBE	5 FUNC VLV in FPP w/ .5"OD CONNECT.
L1104100-PVD	1	.50 O.D. TUBE	5 FUNC VLV in PVD w/ .5"OD CONNECT.
<b>ITEM NO. 3: LABEL, FIVE FUNCTION</b>			
L1704500-000	1	-	ALL FIVE FUNCTION VALVES
<b>ITEM NO. 4: BODY BLOCK</b>			
L1104200-FPP	1	-	ALL FIVE FUNCTION VALVES
<b>ITEM NO. 5: DIAPHRAGM &amp; SHAFT ASSEMBLY</b>			
L0301900-000	2	-	ALL FIVE FUNCTION VALVES
<b>ITEM NO. 6: FLAT WASHER</b>			
L9805000-000	6	-	ALL FIVE FUNCTION VALVES
<b>ITEM NO. 7: KNOB, ADJUSTMENT</b>			
L1900600-FPP	2	-	ALL FIVE FUNCTION VALVES
<b>ITEM NO. 8: SPRING, P.R.V.</b>			
L1104500-000	1	100 PSI	ALL 100 PSI MODEL 5 FUNCTION VALVES
L1104600-000	1	150 PSI	ALL 150 PSI MODEL 5 FUNCTION VALVES
L1104700-000	1	250 PSI	ALL 250 PSI MODEL 5 FUNCTION VALVES
<b>ITEM NO. 9: SPRING</b>			
L1104400-000	1	-	ALL FIVE FUNCTION VALVES
<b>ITEM NO. 10: FLAT WASHER</b>			
L9804600-188	2	-	ALL FIVE FUNCTION VALVES
<b>ITEM NO. 11: SCREW, FILLISTER</b>			
L9804700-188	6	#10 - 32 x 1.5" lg.	ALL FIVE FUNCTION VALVES
<b>ITEM NO. 12: HEX NUT</b>			
U0812299	6	#10 - 32 x .125" thk.	ALL FIVE FUNCTION VALVES
L9805100-000	6	washer (not shown)	ALL FIVE FUNCTION VALVES
<b>ITEM NO. 13: LABEL, KNOB</b>			
L1704600-000	1	-	ALL FIVE FUNCTION VALVES
<b>ITEM NO. 14: LABEL, KNOB</b>			
L1701601-000	1	100 PSI (BLUE)	ALL 100 PSI MODEL 5 FUNCTION VALVES
L1701602-000	1	150 PSI (GREEN)	ALL 150 PSI MODEL 5 FUNCTION VALVES
L1701603-000	1	250 PSI (RED)	ALL 250 PSI MODEL 5 FUNCTION VALVES
<b>ITEM NO. 15: GASKET, O-RING, TFE</b>			
L1501200-TFE	1	-	ALL 5 FUNC VLV w/ TUBING CONNECT.
<b>ITEM NO. 16: SCREW, SELF-TAP</b>			
L9800200-188	2	.75" lg.	ALL FIVE FUNCTION VALVES
<b>ITEM NO. 17: SPRING, CURVED WASHER</b>			
L9904400-188	2	-	ALL FIVE FUNCTION VALVES
<b>ITEM NO. 18: FLAT WASHER</b>			
J42020	12	-	ALL FIVE FUNCTION VALVES

# FIVE FUNCTION DEGAS VALVE PARTS IDENTIFICATION



ITEM	MAT'L	PART #	DESCRIPTION	QTY	
1*	PVC	PVD	L1100300	NUT, COUPLING .38"-TUBE	2
	PVC	PVD	L1100400	NUT, COUPLING .50"-TUBE	
	HPV	HPV	SEE PG 3	KIT, METRIC COUPLING NUT(SEE PAGE #3)	
2	-	PVD	L1103900	BODY, VALVE .25"-NPT 5-FUNCTION	1
	PVC	-	L1106100	BODY, VALVE .25"-NPT 5-FUNCTION	
	-	PVD	L1104000	BODY, VALVE .38"-TUBE 5-FUNCTION	
	PVC	-	L1106200	BODY, VALVE .38"-TUBE 5-FUNCTION	
	-	PVD	L1104100	BODY, VALVE .50"-TUBE 5-FUNCTION	
	PVC	-	L1106300	BODY, VALVE .50"-TUBE 5-FUNCTION	
	-	PVD	L1106400	BODY, VALVE G-1/2-A 5-FUNCTION	
-	PVD	L1106500	BODY, VALVE G-1/2-A 5-FUNCTION		
3	000	000	L1713500	LABEL, INSTRUCTION DECAL 5-FUNCT/DEGAS	1
4	PVD	PVD	L1109900	BLOCK, MODIFIED VLV 5-FUNCT/DEGAS	1
5	000	000	L0301900	DIAPHRAGM AS'Y, 5-FUNCT/DEGAS VALVE	1
6	000	000	L9805000	WASHER(SS), FLAT #10 SMALL	6
7	FPP	FPP	L1900600	KNOB, ADJUSTMENT 5-FUNCT/DEGAS	1
9	000	000	L1104400	SPRING, VALVE 50-PSI 5-FUNCTION	1
10	188	188	L9804600	WASHER, FLAT $\phi$ .19 x $\phi$ .56 5-FUNCTION	1
11	188	188	L9804700	SCREW, #10-32 x 1.5"-lg. PHP	6
12	-	-	U0812299	NUT, HEX #10-32 x .13"-thk.	6
13	000	000	L1701600	LABEL(BLK), DECAL, STROKE LENGTH KNOB	1
14	000	000	L1701305	LABEL, DECAL BLEED SCREW	1
15	TFE	TFE	L1501200	GASKET, 2-013 O-RING	1
16	-	-	06-008-26	SCREW, #8 x 1.0"-lg. TYPE-1	1
17	188	188	L9904400	SPRING, CURVED WASHER	1
18	PVC	PVD	L1110200	SHAFT AS'Y, VALVE SCREW, 5-FUNCT/DEGAS	1
19	HYP	VTN	L1501100	GASKET, 2-010 O-RING	2
20	HYP	VTN	W078200	GASKET, 2-018 O-RING	1
21	HYP	VTN	L1503300	GASKET, FLAT	1
22	000	000	L1713700	LABEL, BLEED/PUMP DECAL 5-FUNCT/DEGAS	1
23	188	188	L9902100	PIN(SS), ROLL $\phi$ .06x.63"-lg.	2
24	PVC	PVD	L1110000	ADAPTER, CONVERSION VALVE 5-FUNCT/DEGAS	1
25	-	-	U8800462	LUBE, SILICONE	A/R
26	xxx	xxx	L940xxxx	LABEL, DECAL	1

\* = NOT REQUIRED ON NPT OR G-1/2-A CONNECTIONS.

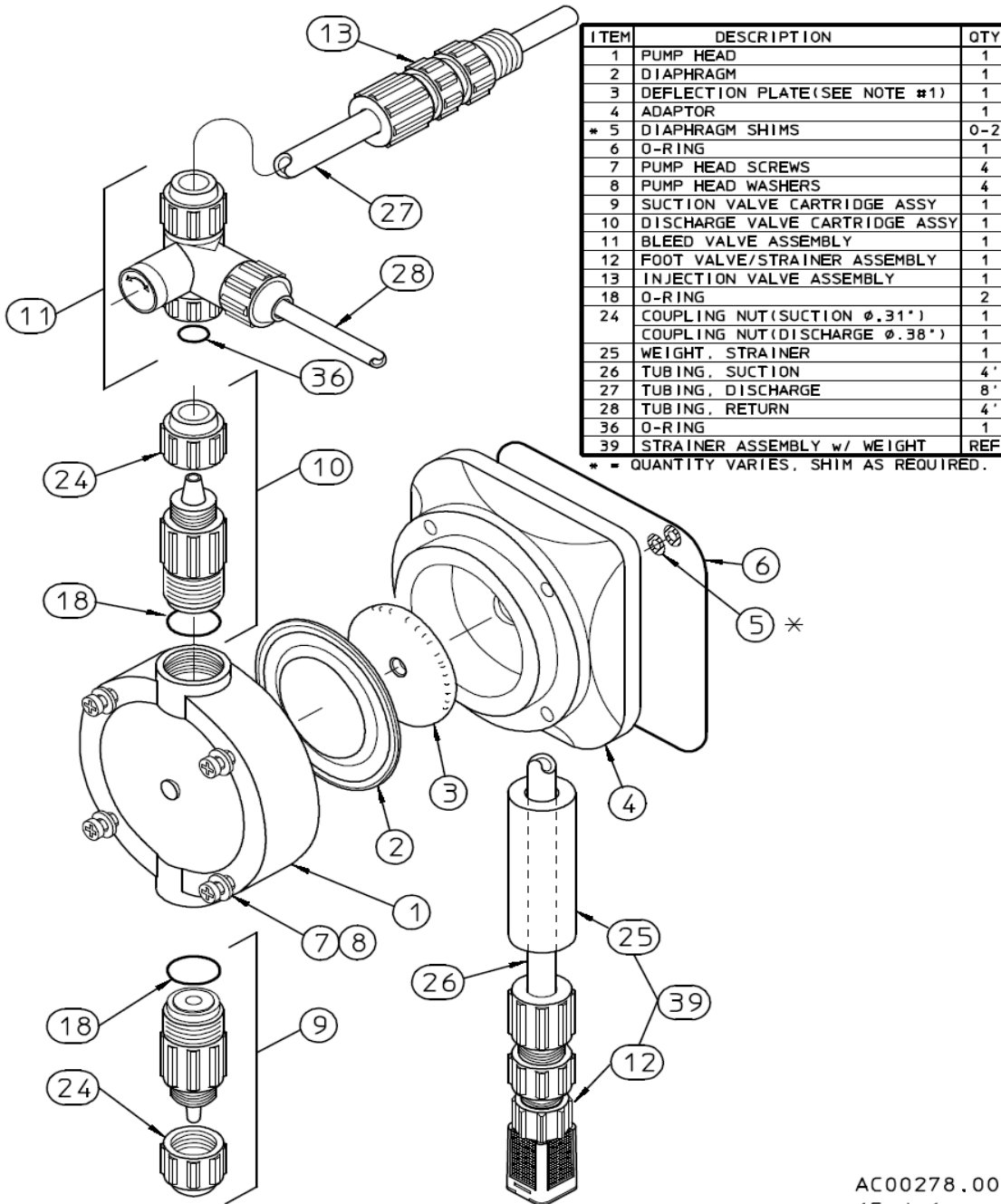
NOTES: 1) WHEN INSTALLING O-RINGS(IT.#20 & #21), LUBE WITH PARKER SUPER O-LUBE (IT.#26) TO PREVENT O-RING DAMAGE.

2) INSTALL CONVERSION VALVE ADAPTER(IT.#25) WITH SMALL BYPASS HOLE IN A VERTICAL POSITION TOWARDS TOP ADJ. KNOB(IT.#7).



sales@novatech-usa.com  
www.novatech-usa.com  
Tel: (866) 433-6682 Fax: (866) 433-6684  
Tel: (281) 359-8538 Fax: (281) 359-0084

# HEAD START ASSEMBLY ("J" Connection) PARTS IDENTIFICATION



AC00278.001  
15-J-6



## HEAD START ASSEMBLY PARTS IDENTIFICATION

PART NO.	QUANTITY	SIZE	LC, LD, LB, LE MODELS	LP, MP MODELS
<b>ITEM NO. 1: PUMP HEAD</b>				
L0200900-FPP	1	FPP	02, 12	A2, B2, K2
L0200900-PVC	1	PVC	02	A2
L0200900-PVD	1	PVD	02, 12	A2, B2, K2
L0201000-FPP	1	FPP	03, 13, 33	A3, B3, D3, K3
L0201000-PVC	1	PVC	03, 13	A3, B3, K3
L0201000-PVD	1	PVD	03, 13, 33	A3, B3, D3, K3
<b>ITEM NO. 9: SUCTION VALVE</b>				
L3101TCJ-FPP	1	5/16" FPP	02, 03, 12, 13, 33	A2, A3, B2, B3, D3, K2, K3
L3101TCJ-PVC	1	5/16" PVC	02, 03, 13	A2, A3, B3, K3
L3101TCJ-PVD	1	5/16" PVD	02, 03, 12, 13, 33	A2, A3, B2, B3, D3, K2, K3
<b>ITEM NO. 10: DISCHARGE VALVE</b>				
L3201TCJ-FPP	1	3/8" FPP	02, 03, 12, 13, 33	A2, A3, B2, B3, D3, K2, K3
L3201TCJ-PVC	1	3/8" PVC	02, 03, 13	A2, A3, B3, K3
L3201TCJ-PVD	1	3/8" PVD	02, 03, 12, 13, 33	A2, A3, B2, B3, D3, K2, K3
<b>ITEM NO. 24: COUPLING NUT (DISCHARGE)</b>				
L1100300-FPP	1	3/8" FPP	02, 03, 12, 13, 33	A2, A3, B2, B3, D3, K2, K3
L1100300-PVC	1	3/8" PVC	02, 03, 13	A2, A3, B3, K3
L1100300-PVD	1	3/8" PVD	02, 03, 12, 13, 33	A2, A3, B2, B3, D3, K2, K3
<b>ITEM NO. 24: COUPLING NUT (SUCTION)</b>				
L1103400-FPP	1	5/16" FPP	02, 03, 12, 13, 33	A2, A3, B2, B3, D3, K2, K3
L1103400-PVC	1	5/16" PVC	02, 03, 13	A2, A3, B3, K3
L1103400-PVD	1	5/16" PVD	02, 03, 12, 13, 33	A2, A3, B2, B3, D3, K2, K3
<b>ITEM NO.26: SUCTION TUBING</b>				
L9904304-PVC (Clear)	4 ft.	5/16" PVC	ALL MODELS	ALL MODELS
L9904304-PEW (White)	4 ft.	5/16" PEW	ALL MODELS	ALL MODELS
L9904304-PEB (Black)	4 ft.	5/16" PEB	ALL MODELS	ALL MODELS
<b>ITEM NO. 39: FOOT VALVE / STRAINER ASSEMBLY WITH WEIGHT</b>				
J60564	1	-	ALL MODELS	ALL MODELS

**novatech**  
 INTERNATIONAL

---

sales@novatech-usa.com  
www.novatech-usa.com  
Tel: (866) 433-6682 Fax: (866) 433-6684  
Tel: (281) 359-8538 Fax: (281) 359-0084

# Liquid End Parts Directory

The following pages can be used to identify the most commonly requested replacement parts for most PULSAtron pump models. If your pumps liquid end code is not listed refer to the price schedule.

Use the model number from your pump to identify the parts sheet that applies to your pump:


**EXAMPLE PUMP MODEL:**

Model: L B 6 4 SA- K T C 1- X X X

The liquid end code for this pump would be:

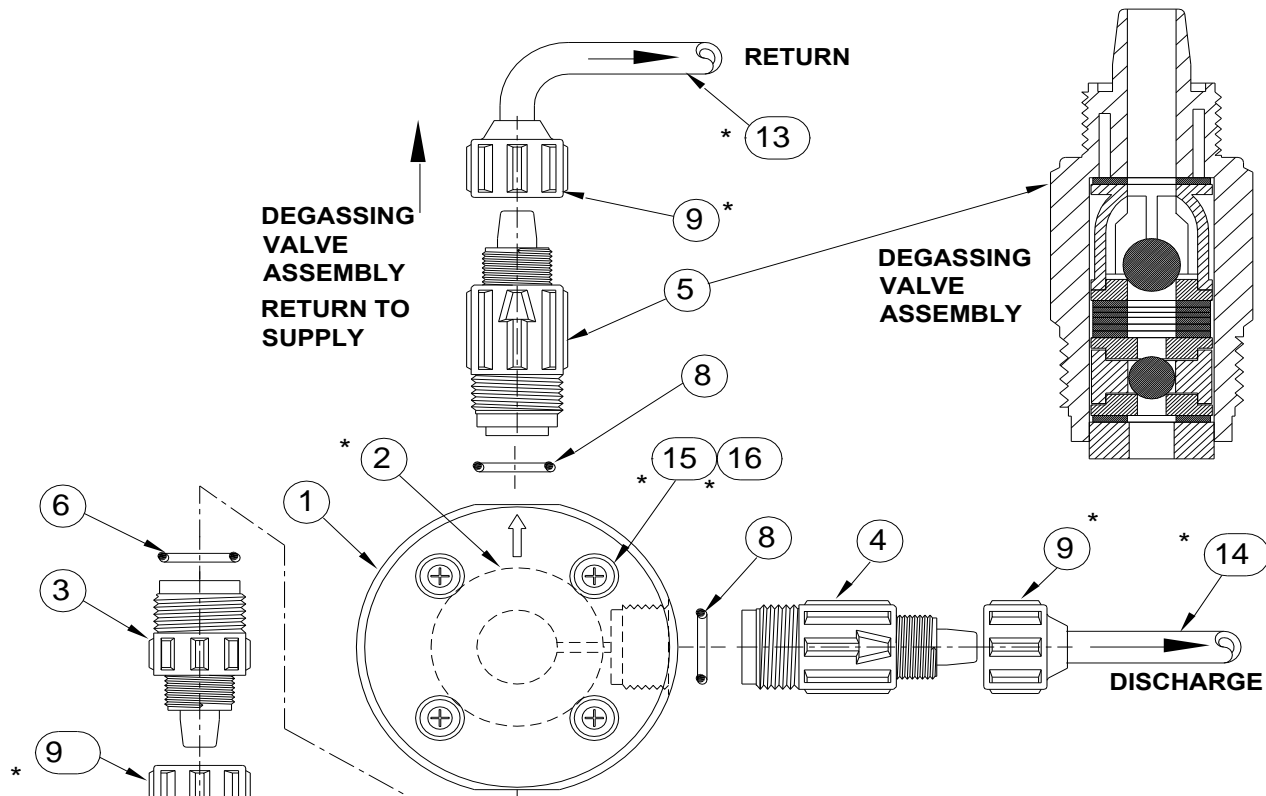
**KTC1**

Liquid End Code	PAGE
VVC9 & VHC9 .....	24
KTC1 .....	25
KTC2 .....	27
KTC3 .....	29
KTC4 .....	31
PHC1 .....	33
PHC2 .....	35
PHC3 .....	37
PHC4 .....	39
PHCB .....	41
PTC1 .....	43
PTC2 .....	45
PTC3 .....	47
PTC4 .....	49
PTCB .....	51
PTT1 .....	53
PTT2 .....	55
PTT3 .....	57
PTT4 .....	59
PTTB .....	61
PVC1 .....	63
PVC2 .....	65
PVC3 .....	67
PVC4 .....	69
PVCB .....	71
VHC1 .....	73
VHC2 .....	75
VHC3 .....	77
VHC4 .....	79
VTC1 .....	81
VTC2 .....	83
VTC3 .....	85
VTC4 .....	87
VVC1 .....	89
VVC2 .....	91
VVC3 .....	93
VVC4 .....	95
WTC1 .....	97
WTC2 .....	99
WTC3 .....	101
WTC4 .....	103
WTCB .....	105



[sales@novatech-usa.com](mailto:sales@novatech-usa.com)  
[www.novatech-usa.com](http://www.novatech-usa.com)  
 Tel: (866) 433-6682      Fax: (866) 433-6684  
 Tel: (281) 359-8538      Fax: (281) 359-0084

# DEGASSIFYING HEAD VVC9 & VHC9 LIQUID END CODES PARTS IDENTIFICATION



PARTS LIST FOR PUMP MODELS WITH  
'VVC9 or 'VHC9 IN POSITON 7 thru 10.

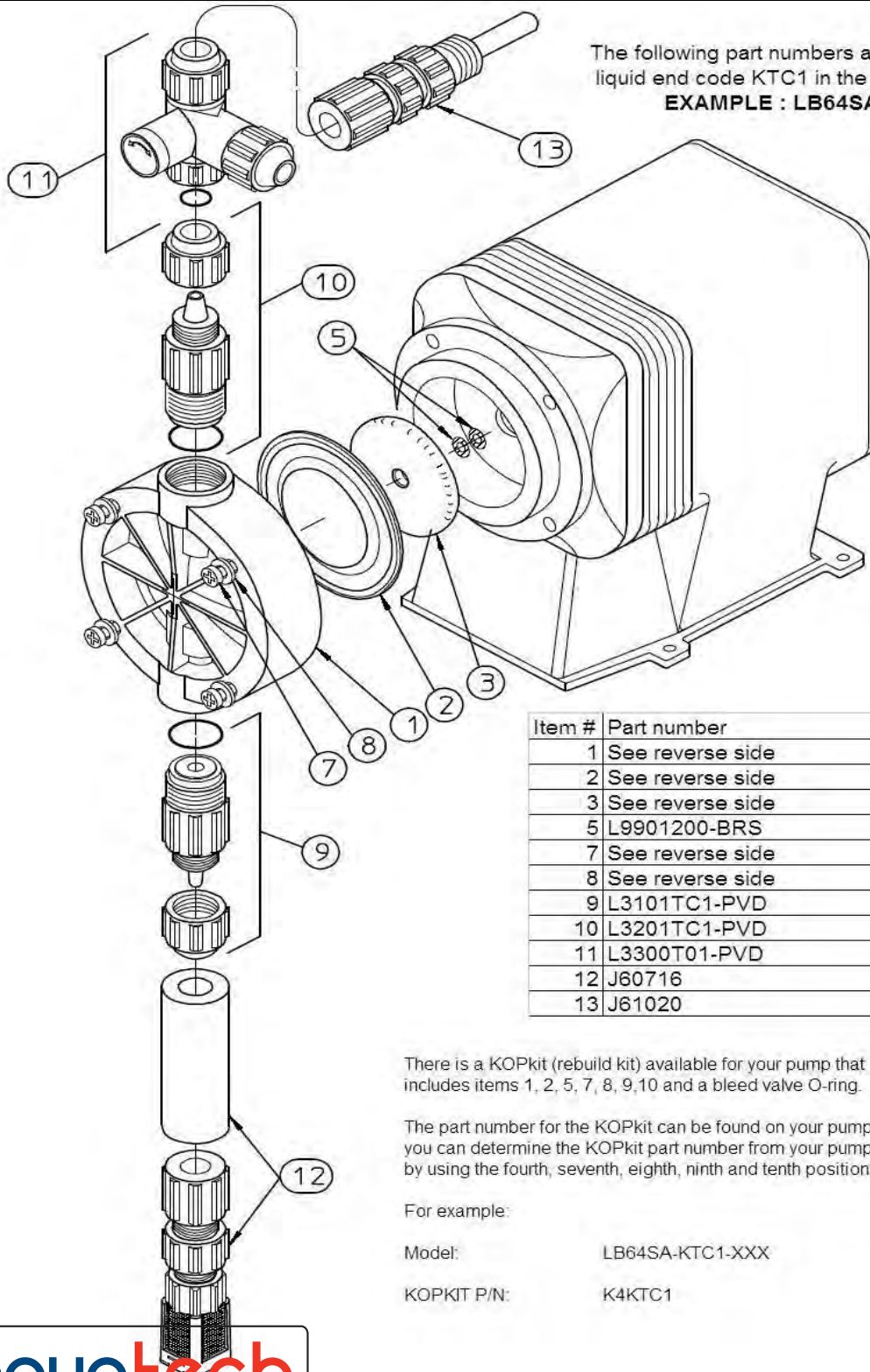
ITEM#	PART#	DESCRIPTION	VVC9 VITON			VHC9 HYPALON		
			0.75	1.0	1.25	0.75	1.0	1.25
ASSY.	L0203102-PVC	HEAD ASSY., Ø.75" DEGASS(PVC/TN)	REF	-	-	-	-	-
	L0203202-PVC	HEAD ASSY., Ø1.00" DEGASS(PVC/VTN)	-	REF	-	-	-	-
	L0203302-PVC	HEAD ASSY., Ø1.25" DEGASS(PVC/VTN)	-	-	REF	-	-	-
ASSY.	L0203112-PVC	HEAD ASSY., Ø.75" DEGASS(PVC/HYP)	-	-	-	REF	-	-
	L0203212-PVC	HEAD ASSY., Ø1.00" DEGASS(PVC/HYP)	-	-	-	-	REF	-
	L0203312-PVC	HEAD ASSY., Ø1.25" DEGASS(PVC/HYP)	-	-	-	-	-	REF
1	L0203900-HPV	PUMP HEAD Ø.75" (HPV)	1	-	-	1	-	-
	L0204000-HPV	PUMP HEAD Ø1.00" (HPV)	-	1	-	-	1	-
	L0204100-HPV	PUMP HEAD Ø1.25" (HPV)	-	-	1	-	-	1
*2	L0300900-THY	DIAPHRAGM Ø.75" (NOT SUPPLIED)	REF	-	-	REF	-	-
	L0301000-THY	DIAPHRAGM Ø1.00" (NOT SUPPLIED)	-	REF	-	-	REF	-
	L0301100-THY	DIAPHRAGM Ø1.25" (NOT SUPPLIED)	-	-	REF	-	-	REF
3	L3100TCJ-PVC	SUCTION VALVE ASSY. (PVC/FTF/CD)	-	-	-	1	-	-
	L3200VCD-PVC	DISCHARGE VALVE ASSY (PVC/VTN)	-	-	-	1	-	-
4	L3200HCD-PVC	DISCHARGE VALVE ASSY (PVC/HYP)	-	-	-	-	1	-
	L3200DV1-PVC	DEGASS VALVE ASSY (PVC/VTN)	-	-	-	1	-	-
5	L3200DH1-PVC	DEGASS VALVE ASSY (PVC/HYP)	-	-	-	-	1	-
	L1501300-TFE	O-RING, VALVE (TFE)	-	-	-	1	-	1
8	L1501300-VTN	O-RING, VALVE (VTN)	-	-	-	2	-	-
	L1501300-HYP	O-RING, VALVE (HYP)	-	-	-	-	-	2
*9	L1100300-PVC	COUPLING NUT, .38" - TUBE (PVC)	-	-	-	3	-	3
*11	24964	COUPLING NUT, .38" - TUBE (PVC)	-	-	-	1	-	1
*12	41402	TUBING, Ø.38" X4' SUCTION (PVC)	-	-	-	1	-	1
*13	J41424	TUBING, Ø.38" X4' DEGASS RETURN (PE)	-	-	-	1	-	1
*14	41403	TUBING, Ø.38" X8' DISCHARGE (PE)	-	-	-	1	-	1
*15	L9801700-188	SCREWS, PUMP HEAD (SST)	-	-	-	4	-	4
*16	L9801300-188	WASHERS, PUMP HEAD (SST)	-	-	-	4	-	4
*17	J60718	STNR ASY,PVD/VTN/C .38T	-	-	-	1	-	-
	J60717	STNR ASY,PVD/HYP/C .38T	-	-	-	-	-	1
*18	L9906700-000	WEIGHT, CERAMIC TUBE	-	-	-	REF	-	REF

\* NOT SUPPLIED WITH DEGASSING HEAD ASSEMBLY



sales@novatech-usa.com  
 www.novatech-usa.com  
 Tel: (866) 433-6682 Fax: (866) 433-6684  
 Tel: (281) 359-8538 Fax: (281) 359-0084

# KTC1 WET END PARTS



The following part numbers are for pump models with liquid end code KTC1 in the model.

**EXAMPLE : LB64SA-KTC1-XXX**

Item #	Part number	Description
1	See reverse side	Head
2	See reverse side	Diaphragm
3	See reverse side	Deflection plate
5	L9901200-BRS	Shim (0-2 required)
7	See reverse side	Washers
8	See reverse side	Head bolts
9	L3101TC1-PVD	Suction valve
10	L3201TC1-PVD	Discharge Valve
11	L3300T01-PVD	Bleed Valve
12	J60716	Foot Valve/Strainer
13	J61020	Injection Valve

There is a KOPkit (rebuild kit) available for your pump that includes items 1, 2, 5, 7, 8, 9, 10 and a bleed valve O-ring.

The part number for the KOPkit can be found on your pumps data label, or you can determine the KOPkit part number from your pump model number by using the fourth, seventh, eighth, ninth and tenth positions of the model string.

For example:

Model: LB64SA-KTC1-XXX

KOPKIT P/N: K4KTC1

AC00381.001

11-J-04

1:3

**novatech**  
INTERNATIONAL

sales@novatech-usa.com

www.novatech-usa.com

Tel: (866) 433-6682 Fax: (866) 433-6684

Tel: (281) 359-8538 Fax: (281) 359-0084

Use the fourth digit in the model number from your pump to identify the part numbers below

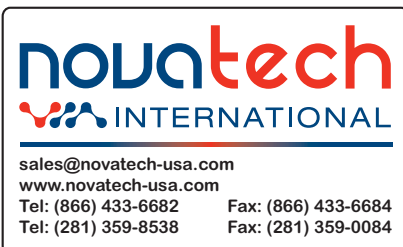
**EXAMPLE MODEL:**

Position	1, 2, 3,4, 5, 6 -7, 8, 9,10-11,12,13
Model:	L B 6 <u>4</u> SA- K T C 1- X X X

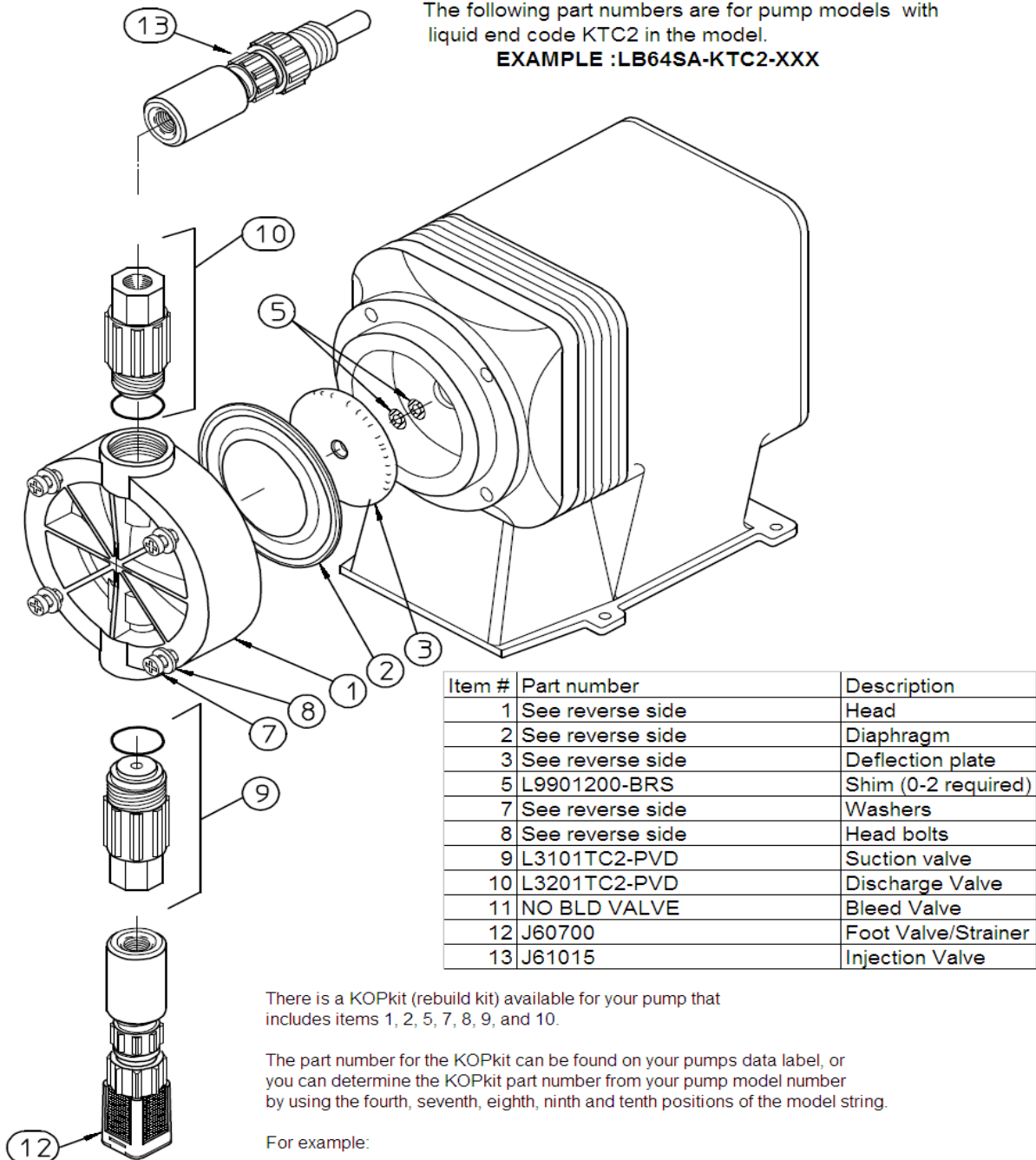
For example the pump head (ITEM #1) for this pump would be:

**P/N L0200400-PVD**

PART NUMBER	QTY	DESCRIPTION
<b>ITEM NO. 1: PUMP HEAD (PVD)</b>		
L0200200-PVD	1	2 IN POSITION NUMBER FOUR OF THE MODEL NUMBER
L0200300-PVD	1	3 IN POSITION NUMBER FOUR OF THE MODEL NUMBER
L0200400-PVD	1	4 IN POSITION NUMBER FOUR OF THE MODEL NUMBER
<b>ITEM NO. 2: DIAPHRAGM</b>		
L0300900-THY	1	2 IN POSITION NUMBER FOUR OF THE MODEL NUMBER
L0301000-THY	1	3 IN POSITION NUMBER FOUR OF THE MODEL NUMBER
L0301100-THY	1	4 IN POSITION NUMBER FOUR OF THE MODEL NUMBER
<b>ITEM NO. 3: DEFLECTION PLATE</b>		
L2100200-FPP	1	2 IN POSITION NUMBER FOUR OF THE MODEL NUMBER
L2100300-FPP	1	3 IN POSITION NUMBER FOUR OF THE MODEL NUMBER
L2100400-FPP	1	4 IN POSITION NUMBER FOUR OF THE MODEL NUMBER
<b>ITEM NO. 7 &amp; 8: PUMP HEAD SCREWS AND WASHERS KIT (CONTAINS BOLTS AND WASHERS)</b>		
L3900200-000	1	2,3, OR 4 IN POSITION NUMBER FOUR OF THE MODEL NUMBER
<b>REPLACEMENT FUSES</b>		
L9707300-000	1	E-PLUS, AND E SERIES PUMPS WITH FUSE HOLDER
L9711200-000	1	A -PLUS, C, C-PLUS, AND E SERIES PUMPS WITH PC BOARD MOUNTED FUSE
L9704700-000	1	SERIES E-DC PUMPS
L9700700-250	1	SERIES MP PUMP (CIRCUIT BREAKER)



# KTC2 WET END PARTS



Model: LB64SA-KTC2-XXX

KOPKIT P/N: K4KTC2

AC00380.001  
 J-9-04  
 1:3

Use the fourth digit in the model number from your pump to identify the part numbers below

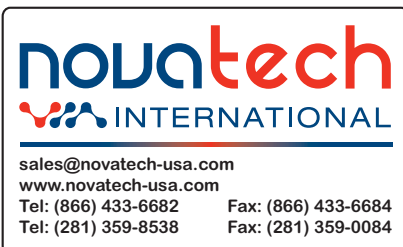
**EXAMPLE MODEL:**

Position	1, 2, 3,4, 5, 6 -7, 8, 9,10-11,12,13
Model:	L B 6 <u>4</u> S A- K T C 2- X X X

For example the pump head (ITEM #1) for this pump would be:

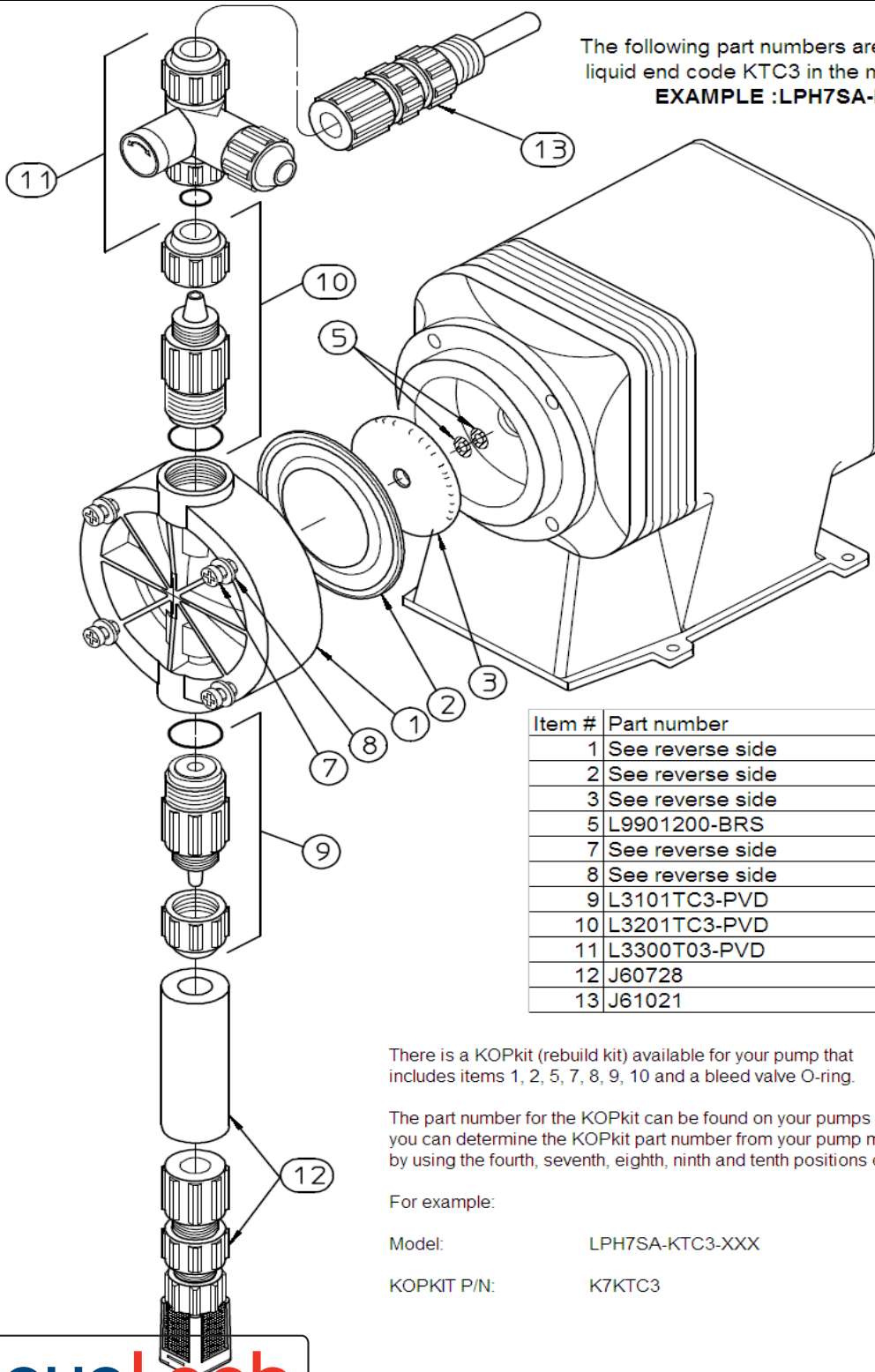
P/N L0200400-PVD

PART NUMBER	QTY	DESCRIPTION
<b>ITEM NO. 1: PUMP HEAD (PVD)</b>		
L0200200-PVD	1	2 IN POSITION NUMBER FOUR OF THE MODEL NUMBER
L0200300-PVD	1	3 IN POSITION NUMBER FOUR OF THE MODEL NUMBER
L0200400-PVD	1	4 IN POSITION NUMBER FOUR OF THE MODEL NUMBER
<b>ITEM NO. 2: DIAPHRAGM</b>		
L0300900-THY	1	2 IN POSITION NUMBER FOUR OF THE MODEL NUMBER
L0301000-THY	1	3 IN POSITION NUMBER FOUR OF THE MODEL NUMBER
L0301100-THY	1	4 IN POSITION NUMBER FOUR OF THE MODEL NUMBER
<b>ITEM NO. 3: DEFLECTION PLATE</b>		
L2100200-FPP	1	2 IN POSITION NUMBER FOUR OF THE MODEL NUMBER
L2100300-FPP	1	3 IN POSITION NUMBER FOUR OF THE MODEL NUMBER
L2100400-FPP	1	4 IN POSITION NUMBER FOUR OF THE MODEL NUMBER
<b>ITEM NO. 7 &amp; 8: PUMP HEAD SCREWS AND WASHERS KIT (CONTAINS BOLTS AND WASHERS)</b>		
L3900200-000	1	2,3, OR 4 IN POSITION NUMBER FOUR OF THE MODEL NUMBER
<b>REPLACEMENT FUSES</b>		
L9707300-000	1	E-PLUS SERIES, AND E SERIES PUMPS WITH FUSE HOLDER
L9711200-000	1	A -PLUS, C, C-PLUS, AND E SERIES PUMPS WITH PC BOARD MOUNTED FUSE
L9704700-000	1	SERIES E-DC PUMPS
L9700700-250	1	SERIES MP PUMP (CIRCUIT BREAKER)





# KTC3 WET END PARTS



The following part numbers are for pump models with liquid end code KTC3 in the model.

**EXAMPLE :LPH7SA-KTC3-XXX**

Item #	Part number	Description
1	See reverse side	Head
2	See reverse side	Diaphragm
3	See reverse side	Deflection plate
5	L9901200-BRS	Shim (0-2 required)
7	See reverse side	Washers
8	See reverse side	Head bolts
9	L3101TC3-PVD	Suction valve
10	L3201TC3-PVD	Discharge Valve
11	L3300T03-PVD	Bleed Valve
12	J60728	Foot Valve/Strainer
13	J61021	Injection Valve

There is a KOPkit (rebuild kit) available for your pump that includes items 1, 2, 5, 7, 8, 9, 10 and a bleed valve O-ring.

The part number for the KOPkit can be found on your pumps data label, or you can determine the KOPkit part number from your pump model number by using the fourth, seventh, eighth, ninth and tenth positions of the model string.

For example:

Model: LPH7SA-KTC3-XXX

KOPKIT P/N: K7KTC3

AC00381.001  
11-J-04  
1:3

Use the fourth digit in the model number from your pump to identify the part numbers below

**EXAMPLE MODEL:**

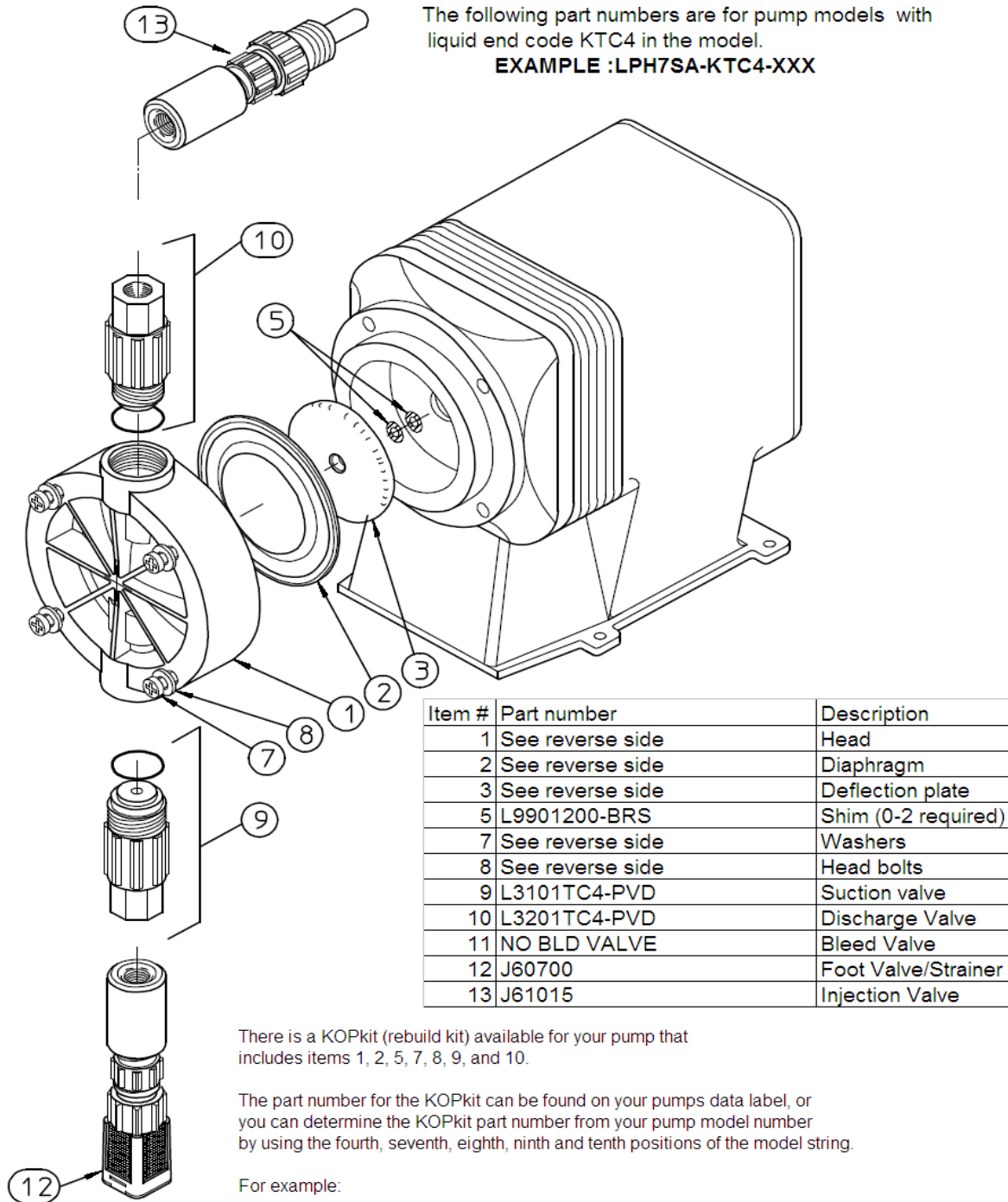
Position	1, 2, 3,4, 5, 6 -7, 8, 9,10-11,12,13
Model:	L P H 7 S A- K T C 3- X X X

For example the pump head (ITEM #1) for this pump would be:

P/N L0200400-PVD

PART NUMBER	QTY	DESCRIPTION
<b>ITEM NO. 1: PUMP HEAD (PVD)</b>		
L0200400-PVD	1	4 IN POSITION NUMBER FOUR OF THE MODEL NUMBER
L0200500-PVD	1	5 IN POSITION NUMBER FOUR OF THE MODEL NUMBER
L0200600-PVD	1	6 IN POSITION NUMBER FOUR OF THE MODEL NUMBER
L0200700-PVD	1	7 IN POSITION NUMBER FOUR OF THE MODEL NUMBER
<b>ITEM NO. 2: DIAPHRAGM</b>		
L0301100-THY	1	4 IN POSITION NUMBER FOUR OF THE MODEL NUMBER
L0301200-THY	1	5 IN POSITION NUMBER FOUR OF THE MODEL NUMBER
L0301300-THY	1	6 IN POSITION NUMBER FOUR OF THE MODEL NUMBER
L0301400-THY	1	7 IN POSITION NUMBER FOUR OF THE MODEL NUMBER
<b>ITEM NO. 3: DEFLECTION PLATE</b>		
L2100400-FPP	1	4 IN POSITION NUMBER FOUR OF THE MODEL NUMBER
L2100500-FPP	1	5 IN POSITION NUMBER FOUR OF THE MODEL NUMBER
L2100600-FPP	1	6 IN POSITION NUMBER FOUR OF THE MODEL NUMBER
L2100700-FPP	1	7 IN POSITION NUMBER FOUR OF THE MODEL NUMBER
<b>ITEM NO. 7 &amp; 8: PUMP HEAD SCREWS AND WASHERS KIT (CONTAINS BOLTS AND WASHERS)</b>		
L3900200-000	1	2,3, OR 4 IN POSITION NUMBER FOUR OF THE MODEL NUMBER
L3900300-000	1	5, 6 OR 7 IN POSITION NUMBER FOUR OF THE MODEL NUMBER
<b>REPLACEMENT FUSES</b>		
L9707300-000	1	E-PLUS SERIES, AND E SERIES PUMPS WITH FUSE HOLDER
L9711200-000	1	A -PLUS, C, C-PLUS, AND E SERIES PUMPS WITH PC BOARD MOUNTED FUSE
L9704700-000	1	SERIES E-DC PUMPS
L9700700-250	1	SERIES MP PUMP (CIRCUIT BREAKER)

# KTC4 WET END PARTS



Model: LPH7SA-KTC4-XXX

KOPKIT P/N: K7KTC4

AC00380.001  
 J-9-04  
 1:3

Use the fourth digit in the model number from your pump to identify the part numbers below

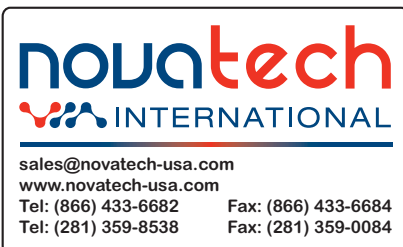
**EXAMPLE MODEL:**

Position	1, 2, 3, 4, 5, 6 -7, 8, 9,10-11,12,13	
Model:	L P H 7 S A- K T C 4- X X X	

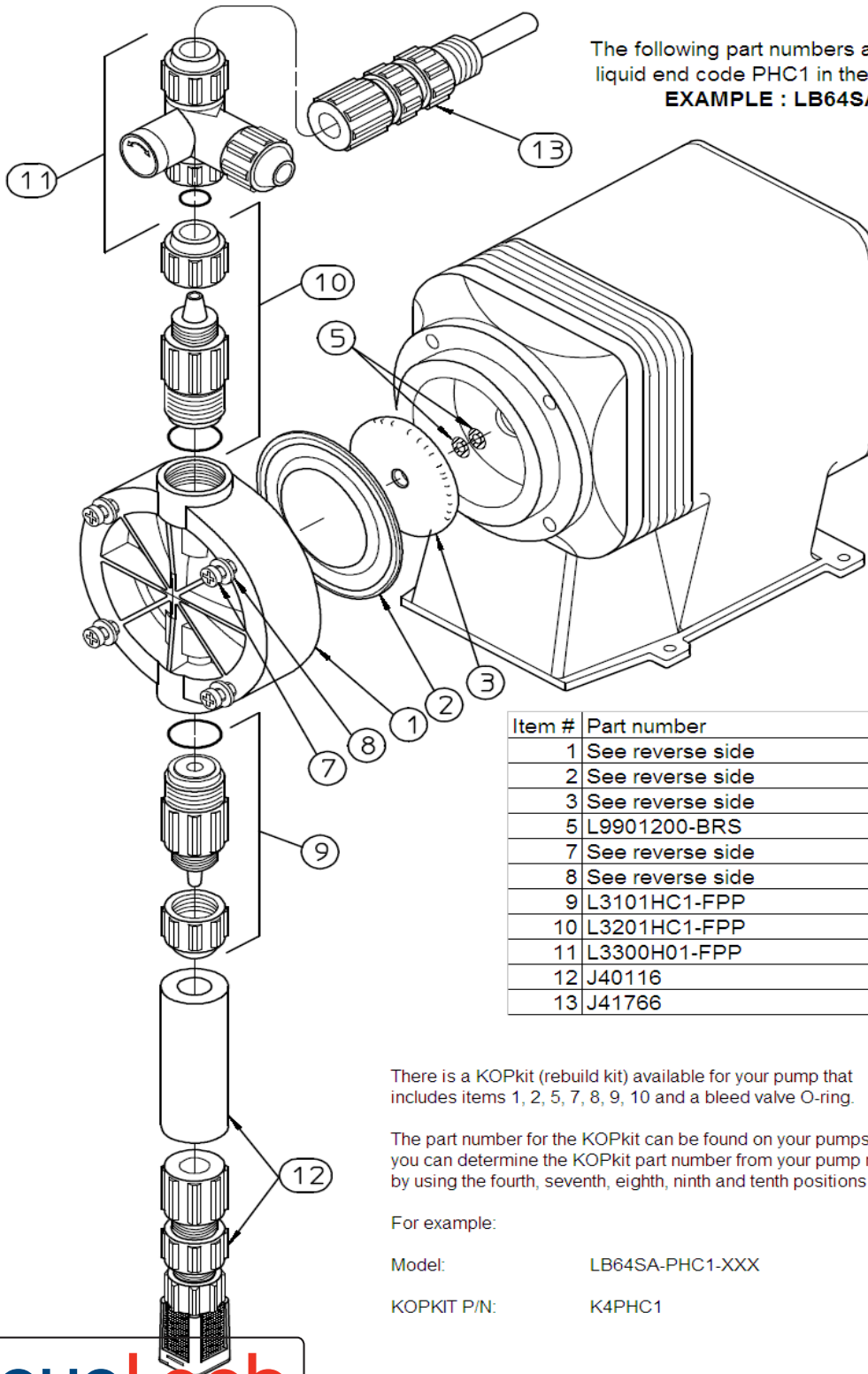
For example the pump head (ITEM #1) for this pump would be:

**P/N L0200700-PVD**

PART NUMBER	QTY	DESCRIPTION
<b>ITEM NO. 1: PUMP HEAD (PVD)</b>		
L0200400-PVD	1	4 IN POSITION NUMBER FOUR OF THE MODEL NUMBER
L0200500-PVD	1	5 IN POSITION NUMBER FOUR OF THE MODEL NUMBER
L0200600-PVD	1	6 IN POSITION NUMBER FOUR OF THE MODEL NUMBER
L0200700-PVD	1	7 IN POSITION NUMBER FOUR OF THE MODEL NUMBER
<b>ITEM NO. 2: DIAPHRAGM</b>		
L0301100-THY	1	4 IN POSITION NUMBER FOUR OF THE MODEL NUMBER
L0301200-THY	1	5 IN POSITION NUMBER FOUR OF THE MODEL NUMBER
L0301300-THY	1	6 IN POSITION NUMBER FOUR OF THE MODEL NUMBER
L0301400-THY	1	7 IN POSITION NUMBER FOUR OF THE MODEL NUMBER
<b>ITEM NO. 3: DEFLECTION PLATE</b>		
L2100400-FPP	1	4 IN POSITION NUMBER FOUR OF THE MODEL NUMBER
L2100500-FPP	1	5 IN POSITION NUMBER FOUR OF THE MODEL NUMBER
L2100600-FPP	1	6 IN POSITION NUMBER FOUR OF THE MODEL NUMBER
L2100700-FPP	1	7 IN POSITION NUMBER FOUR OF THE MODEL NUMBER
<b>ITEM NO. 7 &amp; 8: PUMP HEAD SCREWS AND WASHERS KIT (CONTAINS BOLTS AND WASHERS)</b>		
L3900200-000	1	2,3, OR 4 IN POSITION NUMBER FOUR OF THE MODEL NUMBER
L3900300-000	1	5, 6 OR 7 IN POSITION NUMBER FOUR OF THE MODEL NUMBER
<b>REPLACEMENT FUSES</b>		
L9707300-000	1	E-PLUS SERIES, AND E SERIES PUMPS WITH FUSE HOLDER
L9711200-000	1	A -PLUS, C, C-PLUS, AND E SERIES PUMPS WITH PC BOARD MOUNTED FUSE
L9704700-000	1	SERIES E-DC PUMPS
L9700700-250	1	SERIES MP PUMP (CIRCUIT BREAKER)



# PHC1 WET END PARTS



The following part numbers are for pump models with liquid end code PHC1 in the model.

**EXAMPLE : LB64SA-PHC1-XXX**

Item #	Part number	Description
1	See reverse side	Head
2	See reverse side	Diaphragm
3	See reverse side	Deflection plate
5	L9901200-BRS	Shim (0-2 required)
7	See reverse side	Washers
8	See reverse side	Head bolts
9	L3101HC1-FPP	Suction valve
10	L3201HC1-FPP	Discharge Valve
11	L3300H01-FPP	Bleed Valve
12	J40116	Foot Valve/Strainer
13	J41766	Injection Valve

There is a KOPkit (rebuild kit) available for your pump that includes items 1, 2, 5, 7, 8, 9, 10 and a bleed valve O-ring.

The part number for the KOPkit can be found on your pumps data label, or you can determine the KOPkit part number from your pump model number by using the fourth, seventh, eighth, ninth and tenth positions of the model string.

For example:

Model: LB64SA-PHC1-XXX

KOPKIT P/N: K4PHC1

AC00381.001  
11-J-04  
1:3



sales@novatech-usa.com  
www.novatech-usa.com  
Tel: (866) 433-6682 Fax: (866) 433-6684  
Tel: (281) 359-8538 Fax: (281) 359-0084

Use the fourth digit in the model number from your pump to identify the part numbers below

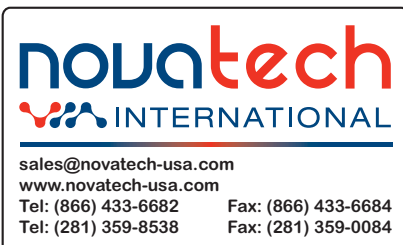
**EXAMPLE MODEL:**

Position	1, 2, 3,4, 5, 6 -7, 8, 9,10-11,12,13
Model:	L B 6 <u>4</u> S A- P H C 1- X X X

For example the pump head (ITEM #1) for this pump would be:

P/N L0200400-FPP

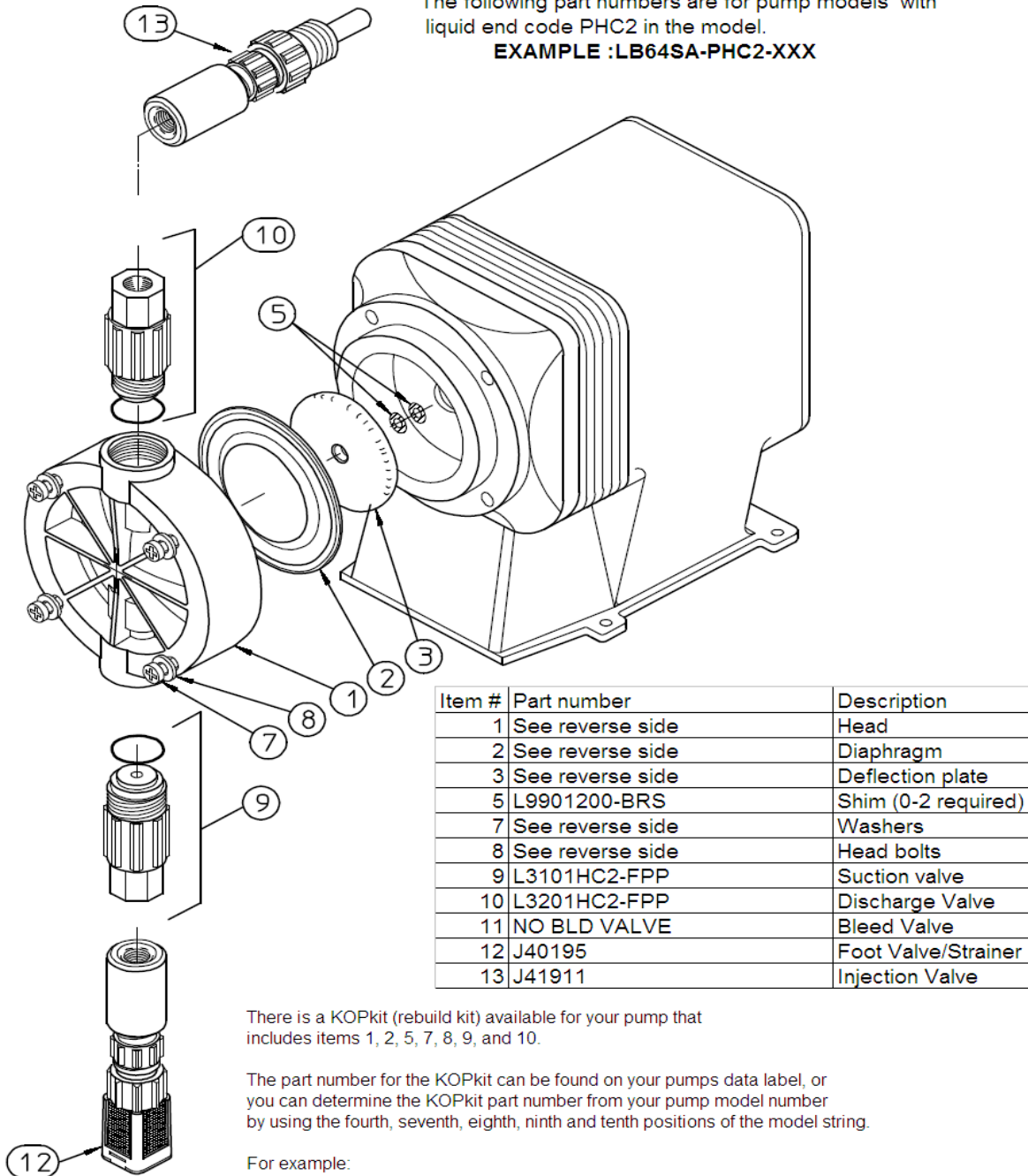
PART NUMBER	QTY	DESCRIPTION
<b>ITEM NO. 1: PUMP HEAD (FPP)</b>		
L0200200-FPP	1	2 IN POSITION NUMBER FOUR OF THE MODEL NUMBER
L0200300-FPP	1	3 IN POSITION NUMBER FOUR OF THE MODEL NUMBER
L0200400-FPP	1	4 IN POSITION NUMBER FOUR OF THE MODEL NUMBER
<b>ITEM NO. 2: DIAPHRAGM</b>		
L0300900-THY	1	2 IN POSITION NUMBER FOUR OF THE MODEL NUMBER
L0301000-THY	1	3 IN POSITION NUMBER FOUR OF THE MODEL NUMBER
L0301100-THY	1	4 IN POSITION NUMBER FOUR OF THE MODEL NUMBER
<b>ITEM NO. 3: DEFLECTION PLATE</b>		
L2100200-FPP	1	2 IN POSITION NUMBER FOUR OF THE MODEL NUMBER
L2100300-FPP	1	3 IN POSITION NUMBER FOUR OF THE MODEL NUMBER
L2100400-FPP	1	4 IN POSITION NUMBER FOUR OF THE MODEL NUMBER
<b>ITEM NO. 7 &amp; 8: PUMP HEAD SCREWS AND WASHERS KIT (CONTAINS BOLTS AND WASHERS)</b>		
L3900200-000	1	2,3, OR 4 IN POSITION NUMBER FOUR OF THE MODEL NUMBER
<b>REPLACEMENT FUSES</b>		
L9707300-000	1	E-PLUS SERIES, AND E SERIES PUMPS WITH FUSE HOLDER
L9711200-000	1	A -PLUS, C, C-PLUS, AND E SERIES PUMPS WITH PC BOARD MOUNTED FUSE
L9704700-000	1	SERIES E-DC PUMPS
L9700700-250	1	SERIES MP PUMP (CIRCUIT BREAKER)



# PHC2 WET END PARTS

The following part numbers are for pump models with liquid end code PHC2 in the model.

**EXAMPLE :LB64SA-PHC2-XXX**



There is a KOPkit (rebuild kit) available for your pump that includes items 1, 2, 5, 7, 8, 9, and 10.

The part number for the KOPkit can be found on your pumps data label, or you can determine the KOPkit part number from your pump model number by using the fourth, seventh, eighth, ninth and tenth positions of the model string.

For example:

Model: LB64SA-PHC2-XXX

KOPKIT P/N: K4PHC2

AC00380.001  
J-9-04  
1:3

**novatech**  
INTERNATIONAL

sales@novatech-usa.com  
www.novatech-usa.com  
Tel: (866) 433-6682 Fax: (866) 433-6684  
Tel: (281) 359-8538 Fax: (281) 359-0084

Use the fourth digit in the model number from your pump to identify the part numbers below

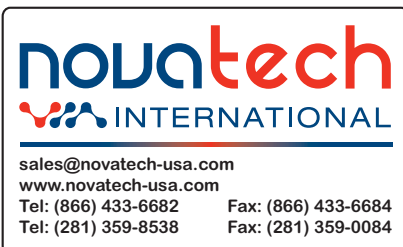
**EXAMPLE MODEL:**

Position	1, 2, 3,4, 5, 6 -7, 8, 9,10-11,12,13
Model:	L B 6 <u>4</u> S A- P H C 2- X X X

For example the pump head (ITEM #1) for this pump would be:

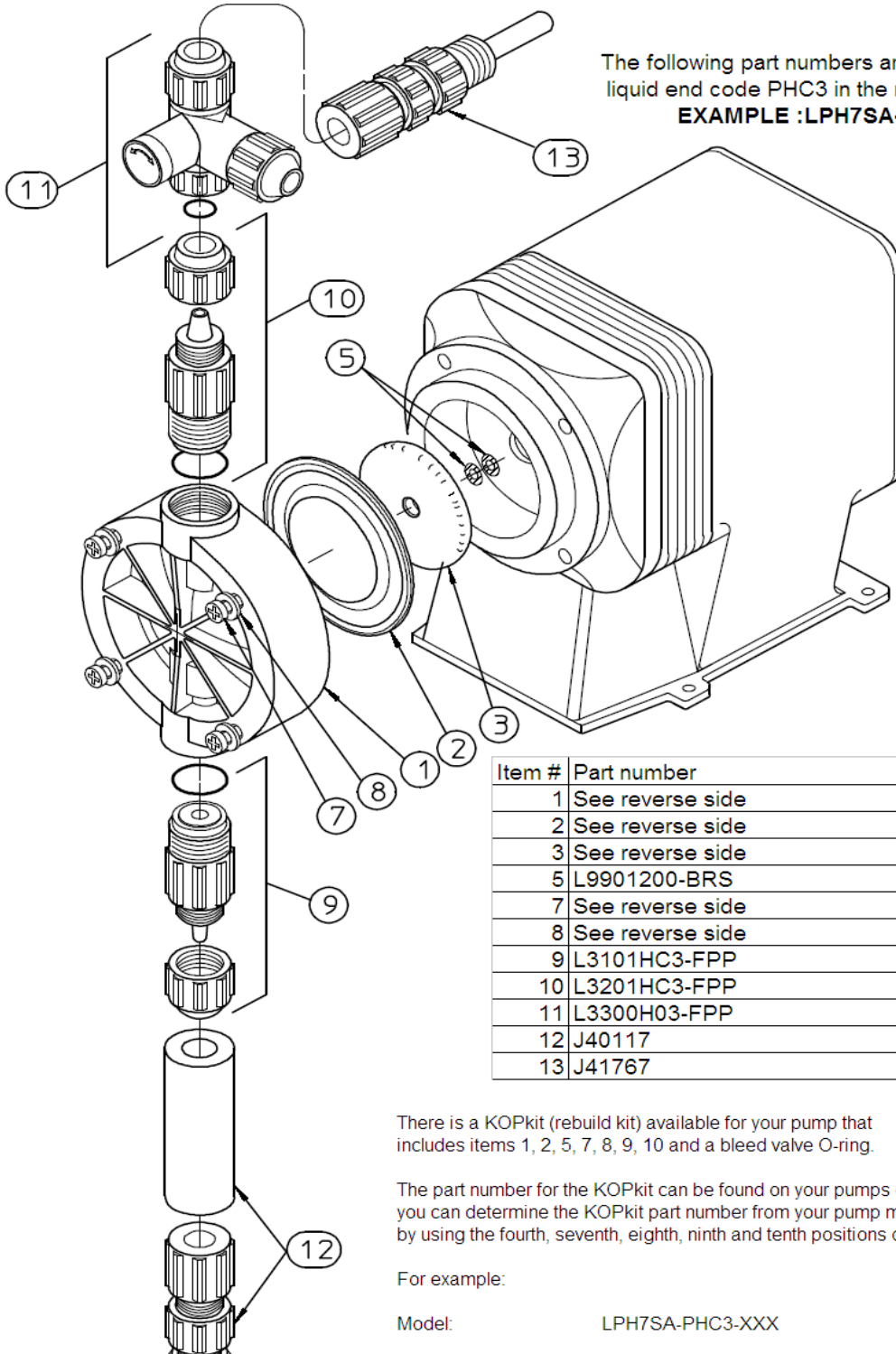
P/N L0200400-FPP

PART NUMBER	QTY	DESCRIPTION
<b>ITEM NO. 1: PUMP HEAD (FPP)</b>		
L0200200-FPP	1	2 IN POSITION NUMBER FOUR OF THE MODEL NUMBER
L0200300-FPP	1	3 IN POSITION NUMBER FOUR OF THE MODEL NUMBER
L0200400-FPP	1	4 IN POSITION NUMBER FOUR OF THE MODEL NUMBER
<b>ITEM NO. 2: DIAPHRAGM</b>		
L0300900-THY	1	2 IN POSITION NUMBER FOUR OF THE MODEL NUMBER
L0301000-THY	1	3 IN POSITION NUMBER FOUR OF THE MODEL NUMBER
L0301100-THY	1	4 IN POSITION NUMBER FOUR OF THE MODEL NUMBER
<b>ITEM NO. 3: DEFLECTION PLATE</b>		
L2100200-FPP	1	2 IN POSITION NUMBER FOUR OF THE MODEL NUMBER
L2100300-FPP	1	3 IN POSITION NUMBER FOUR OF THE MODEL NUMBER
L2100400-FPP	1	4 IN POSITION NUMBER FOUR OF THE MODEL NUMBER
<b>ITEM NO. 7 &amp; 8: PUMP HEAD SCREWS AND WASHERS KIT (CONTAINS BOLTS AND WASHERS)</b>		
L3900200-000	1	2,3, OR 4 IN POSITION NUMBER FOUR OF THE MODEL NUMBER
<b>REPLACEMENT FUSES</b>		
L9707300-000	1	E-PLUS SERIES, AND E SERIES PUMPS WITH FUSE HOLDER
L9711200-000	1	A -PLUS, C, C-PLUS, AND E SERIES PUMPS WITH PC BOARD MOUNTED FUSE
L9704700-000	1	SERIES E-DC PUMPS
L9700700-250	1	SERIES MP PUMP (CIRCUIT BREAKER)





# PHC3 WET END PARTS



The following part numbers are for pump models with liquid end code PHC3 in the model.

**EXAMPLE :LPH7SA-PHC3-XXX**

Item #	Part number	Description
1	See reverse side	Head
2	See reverse side	Diaphragm
3	See reverse side	Deflection plate
5	L9901200-BRS	Shim (0-2 required)
7	See reverse side	Washers
8	See reverse side	Head bolts
9	L3101HC3-FPP	Suction valve
10	L3201HC3-FPP	Discharge Valve
11	L3300H03-FPP	Bleed Valve
12	J40117	Foot Valve/Strainer
13	J41767	Injection Valve

There is a KOPkit (rebuild kit) available for your pump that includes items 1, 2, 5, 7, 8, 9, 10 and a bleed valve O-ring.

The part number for the KOPkit can be found on your pumps data label, or you can determine the KOPkit part number from your pump model number by using the fourth, seventh, eighth, ninth and tenth positions of the model string.

For example:

Model: LPH7SA-PHC3-XXX

KOPKIT P/N: K7PHC3



sales@novatech-usa.com  
www.novatech-usa.com  
Tel: (866) 433-6682 Fax: (866) 433-6684  
Tel: (281) 359-8538 Fax: (281) 359-0084

AC00381.001  
11-J-04  
1:3

Use the fourth digit in the model number from your pump to identify the part numbers below

**EXAMPLE MODEL:**

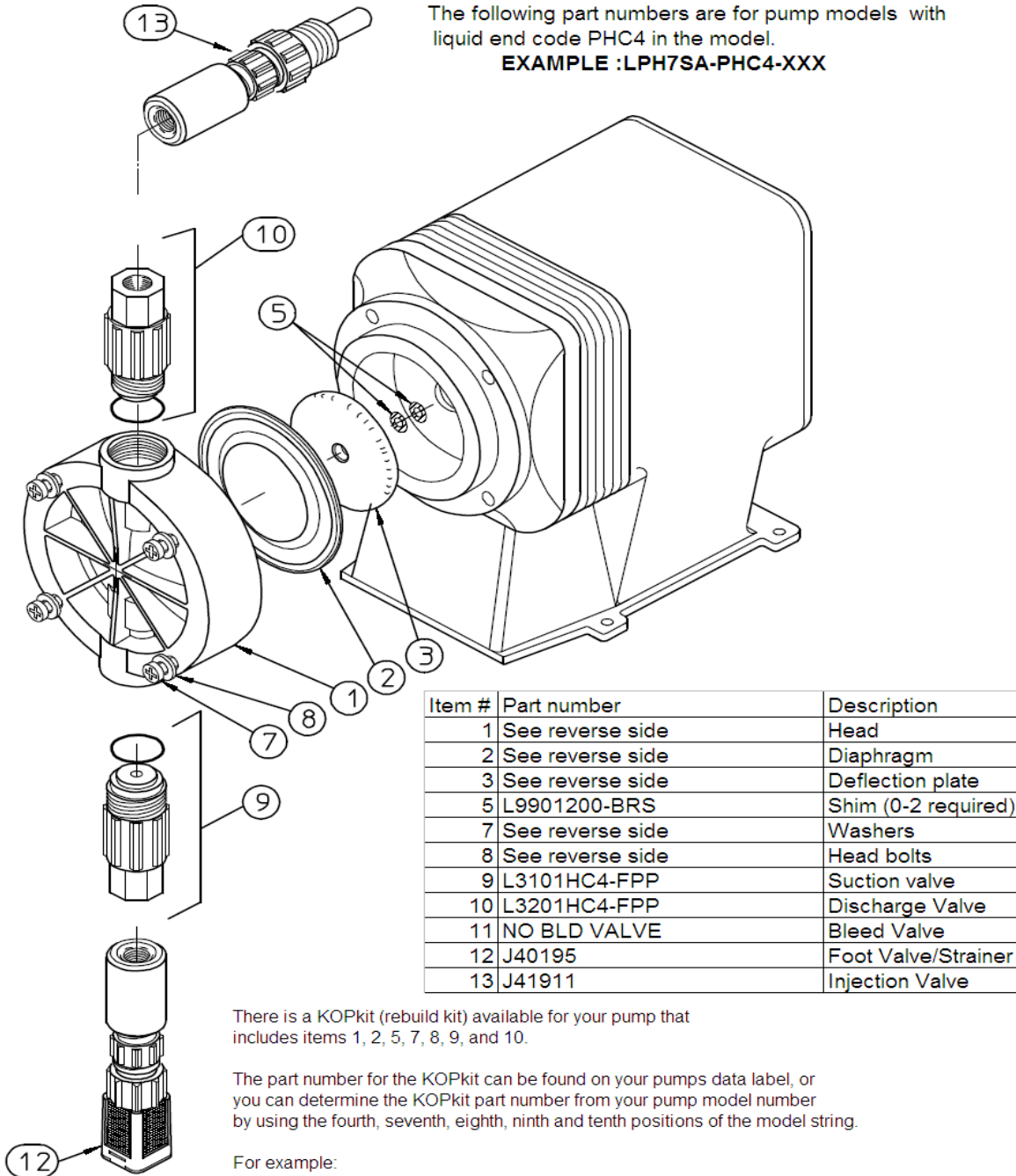
Position	1, 2, 3,4, 5, 6 -7, 8, 9,10-11,12,13
Model:	L P H 7 S A- P H C 3- X X X

For example the pump head (ITEM #1) for this pump would be:

P/N L0200700-FPP

PART NUMBER	QTY	DESCRIPTION
<b>ITEM NO. 1: PUMP HEAD (FPP)</b>		
L0200400-FPP	1	4 IN POSITION NUMBER FOUR OF THE MODEL NUMBER
L0200500-FPP	1	5 IN POSITION NUMBER FOUR OF THE MODEL NUMBER
L0200600-FPP	1	6 IN POSITION NUMBER FOUR OF THE MODEL NUMBER
L0200700-FPP	1	7 IN POSITION NUMBER FOUR OF THE MODEL NUMBER
<b>ITEM NO. 2: DIAPHRAGM</b>		
L0301100-THY	1	4 IN POSITION NUMBER FOUR OF THE MODEL NUMBER
L0301200-THY	1	5 IN POSITION NUMBER FOUR OF THE MODEL NUMBER
L0301300-THY	1	6 IN POSITION NUMBER FOUR OF THE MODEL NUMBER
L0301400-THY	1	7 IN POSITION NUMBER FOUR OF THE MODEL NUMBER
<b>ITEM NO. 3: DEFLECTION PLATE</b>		
L2100400-FPP	1	4 IN POSITION NUMBER FOUR OF THE MODEL NUMBER
L2100500-FPP	1	5 IN POSITION NUMBER FOUR OF THE MODEL NUMBER
L2100600-FPP	1	6 IN POSITION NUMBER FOUR OF THE MODEL NUMBER
L2100700-FPP	1	7 IN POSITION NUMBER FOUR OF THE MODEL NUMBER
<b>ITEM NO. 7 &amp; 8: PUMP HEAD SCREWS AND WASHERS KIT (CONTAINS BOLTS AND WASHERS)</b>		
L3900200-000	1	2,3, OR 4 IN POSITION NUMBER FOUR OF THE MODEL NUMBER
L3900300-000	1	5, 6 OR 7 IN POSITION NUMBER FOUR OF THE MODEL NUMBER
<b>REPLACEMENT FUSES</b>		
L9707300-000	1	E-PLUS SERIES, AND E SERIES PUMPS WITH FUSE HOLDER
L9711200-000	1	A -PLUS, C, C-PLUS, AND E SERIES PUMPS WITH PC BOARD MOUNTED FUSE
L9704700-000	1	SERIES E-DC PUMPS
L9700700-250	1	SERIES MP PUMP (CIRCUIT BREAKER)

# PHC4 WET END PARTS



The following part numbers are for pump models with liquid end code PHC4 in the model.

**EXAMPLE :LPH7SA-PHC4-XXX**

Item #	Part number	Description
1	See reverse side	Head
2	See reverse side	Diaphragm
3	See reverse side	Deflection plate
5	L9901200-BRS	Shim (0-2 required)
7	See reverse side	Washers
8	See reverse side	Head bolts
9	L3101HC4-FPP	Suction valve
10	L3201HC4-FPP	Discharge Valve
11	NO BLD VALVE	Bleed Valve
12	J40195	Foot Valve/Strainer
13	J41911	Injection Valve

There is a KOPkit (rebuild kit) available for your pump that includes items 1, 2, 5, 7, 8, 9, and 10.

The part number for the KOPkit can be found on your pumps data label, or you can determine the KOPkit part number from your pump model number by using the fourth, seventh, eighth, ninth and tenth positions of the model string.

For example:

Model: LPH7SA-PHC4-XXX

KOPKIT P/N: K7PHC4

AC00380.001  
J-9-04  
1:3

**novatech**  
INTERNATIONAL

sales@novatech-usa.com  
www.novatech-usa.com  
Tel: (866) 433-6682 Fax: (866) 433-6684  
Tel: (281) 359-8538 Fax: (281) 359-0084

Use the fourth digit in the model number from your pump to identify the part numbers below

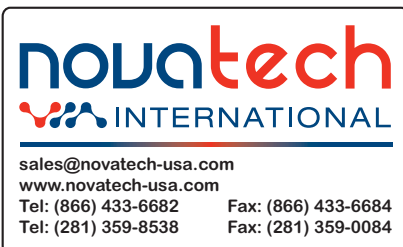
**EXAMPLE MODEL:**

Position	1, 2, 3,4, 5, 6 -7, 8, 9,10-11,12,13
Model:	L P H 7 S A- P H C 4- X X X

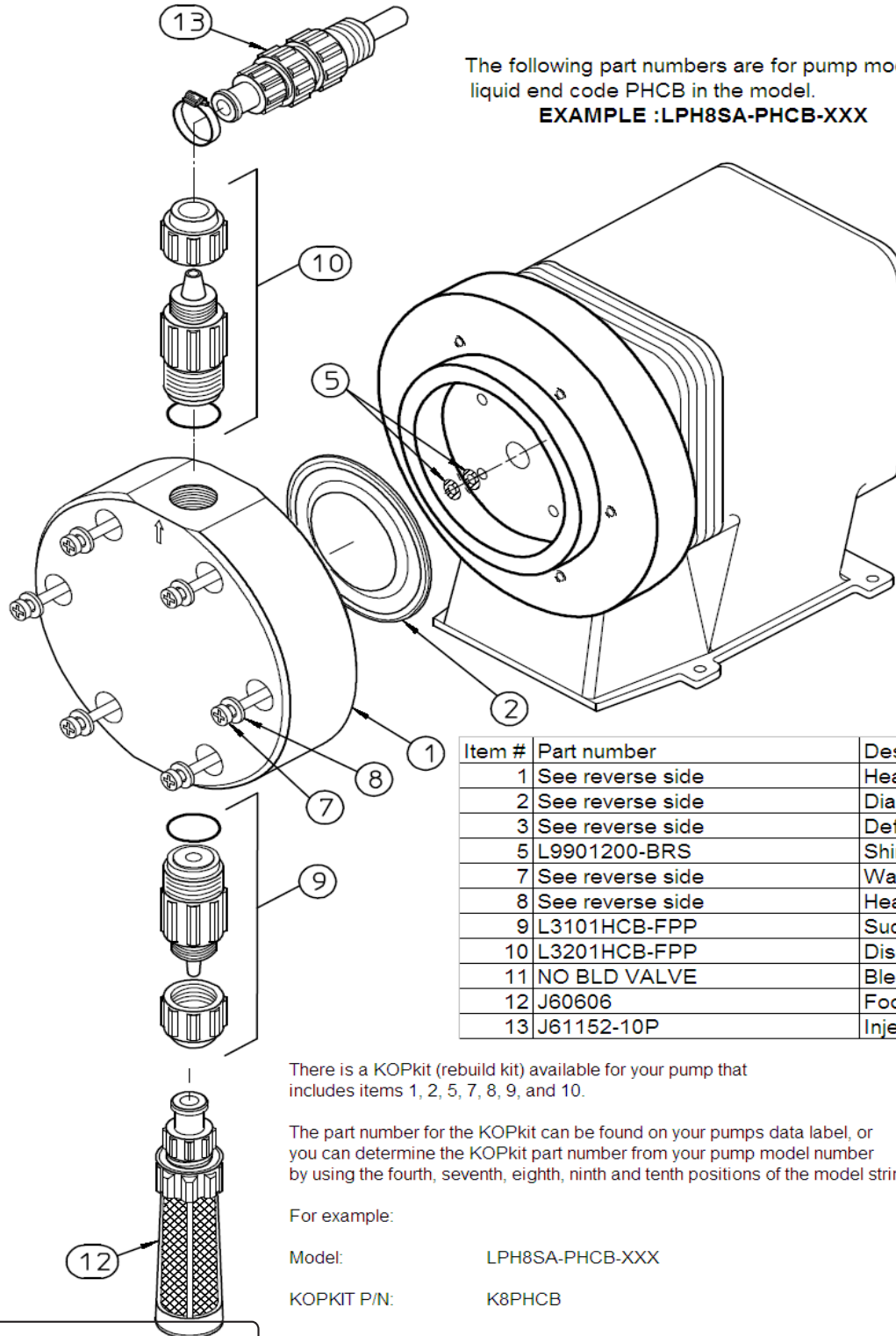
For example the pump head (ITEM #1) for this pump would be:

P/N L0200700-FPP

PART NUMBER	QTY	DESCRIPTION
<b>ITEM NO. 1: PUMP HEAD (FPP)</b>		
L0200400-FPP	1	4 IN POSITION NUMBER FOUR OF THE MODEL NUMBER
L0200500-FPP	1	5 IN POSITION NUMBER FOUR OF THE MODEL NUMBER
L0200600-FPP	1	6 IN POSITION NUMBER FOUR OF THE MODEL NUMBER
L0200700-FPP	1	7 IN POSITION NUMBER FOUR OF THE MODEL NUMBER
<b>ITEM NO. 2: DIAPHRAGM</b>		
L0301100-THY	1	4 IN POSITION NUMBER FOUR OF THE MODEL NUMBER
L0301200-THY	1	5 IN POSITION NUMBER FOUR OF THE MODEL NUMBER
L0301300-THY	1	6 IN POSITION NUMBER FOUR OF THE MODEL NUMBER
L0301400-THY	1	7 IN POSITION NUMBER FOUR OF THE MODEL NUMBER
<b>ITEM NO. 3: DEFLECTION PLATE</b>		
L2100400-FPP	1	4 IN POSITION NUMBER FOUR OF THE MODEL NUMBER
L2100500-FPP	1	5 IN POSITION NUMBER FOUR OF THE MODEL NUMBER
L2100600-FPP	1	6 IN POSITION NUMBER FOUR OF THE MODEL NUMBER
L2100700-FPP	1	7 IN POSITION NUMBER FOUR OF THE MODEL NUMBER
<b>ITEM NO. 7 &amp; 8: PUMP HEAD SCREWS AND WASHERS KIT (CONTAINS BOLTS AND WASHERS)</b>		
L3900200-000	1	2,3, OR 4 IN POSITION NUMBER FOUR OF THE MODEL NUMBER
L3900300-000	1	5, 6 OR 7 IN POSITION NUMBER FOUR OF THE MODEL NUMBER
<b>REPLACEMENT FUSES</b>		
L9707300-000	1	E-PLUS SERIES, AND E SERIES PUMPS WITH FUSE HOLDER
L9711200-000	1	A -PLUS, C, C-PLUS, AND E SERIES PUMPS WITH PC BOARD MOUNTED FUSE
L9704700-000	1	SERIES E-DC PUMPS
L9700700-250	1	SERIES MP PUMP (CIRCUIT BREAKER)



# PHCB WET END PARTS



The following part numbers are for pump models with liquid end code PHCB in the model.  
**EXAMPLE :LPH8SA-PHCB-XXX**

Item #	Part number	Description
1	See reverse side	Head
2	See reverse side	Diaphragm
3	See reverse side	Deflection plate
5	L9901200-BRS	Shim (0-2 required)
7	See reverse side	Washers
8	See reverse side	Head bolts
9	L3101HCB-FPP	Suction valve
10	L3201HCB-FPP	Discharge Valve
11	NO BLD VALVE	Bleed Valve
12	J60606	Foot Valve/Strainer
13	J61152-10P	Injection Valve

There is a KOPkit (rebuild kit) available for your pump that includes items 1, 2, 5, 7, 8, 9, and 10.

The part number for the KOPkit can be found on your pumps data label, or you can determine the KOPkit part number from your pump model number by using the fourth, seventh, eighth, ninth and tenth positions of the model string.

For example:

Model: LPH8SA-PHCB-XXX

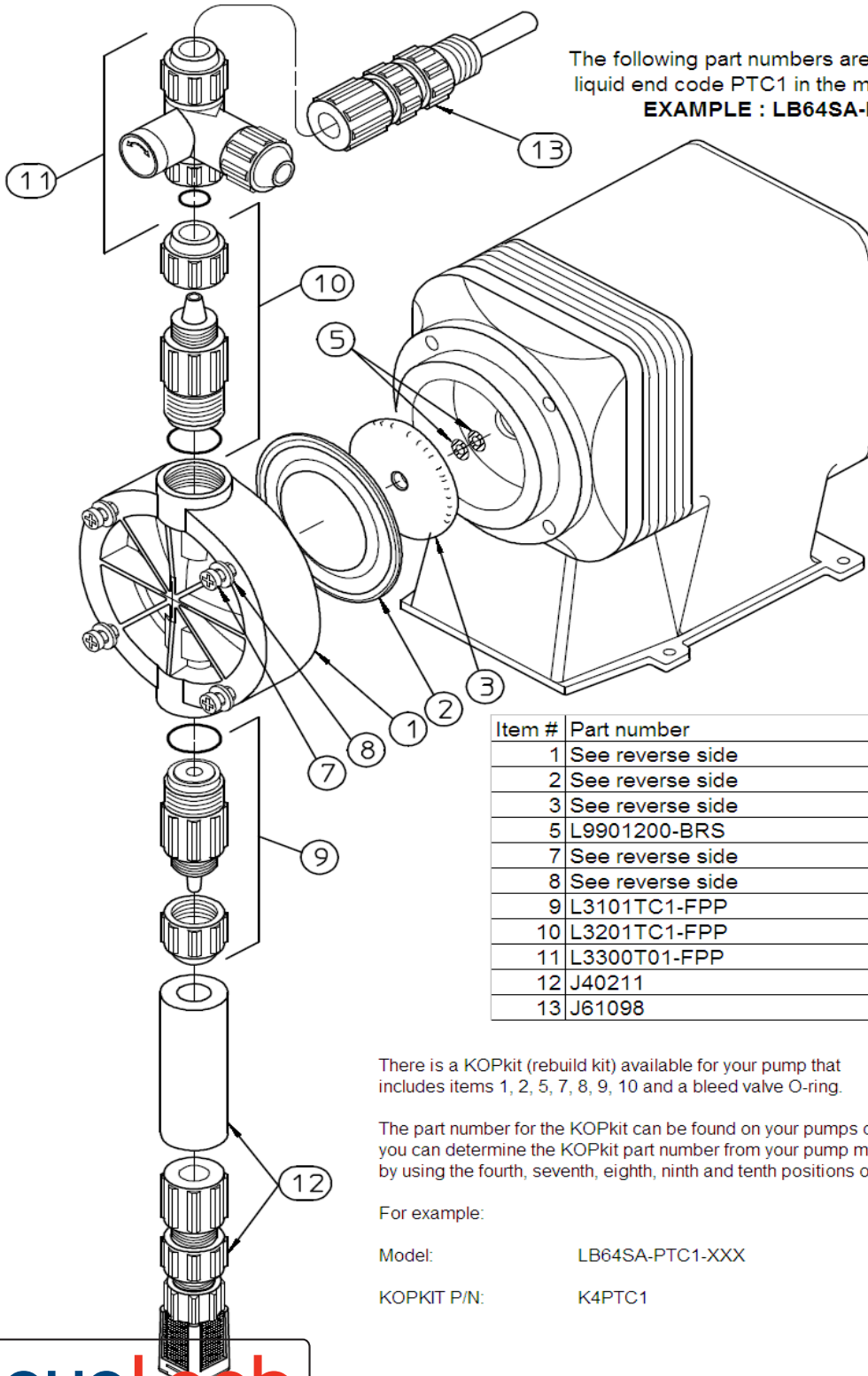
KOPKIT P/N: K8PHCB

AC00382.001  
 27-J-04  
 1:3

PART NUMBER	QTY	DESCRIPTION
<b>ITEM NO. 1: PUMP HEAD (PPL)</b>		
L0200800-PPL	1	
<b>ITEM NO. 2: DIAPHRAGM</b>		
L0301600-THY	1	
<b>ITEM NO. 3: DEFLECTION PLATE</b>		
	0	NOT USED ON THESE MODELS
<b>ITEM NO. 7 &amp; 8: PUMP HEAD SCREWS AND WASHERS KIT (CONTAINS BOLTS AND WASHERS)</b>		
L3900400-000	1	
<b>REPLACEMENT FUSES</b>		
L9707300-000	1	E-PLUS SERIES, AND E SERIES PUMPS WITH FUSE HOLDER
L9700700-250	1	SERIES MP PUMP (CIRCUIT BREAKER)



# PTC1 WET END PARTS



The following part numbers are for pump models with liquid end code PTC1 in the model.

**EXAMPLE : LB64SA-PTC1-XXX**

Item #	Part number	Description
1	See reverse side	Head
2	See reverse side	Diaphragm
3	See reverse side	Deflection plate
5	L9901200-BRS	Shim (0-2 required)
7	See reverse side	Washers
8	See reverse side	Head bolts
9	L3101TC1-FPP	Suction valve
10	L3201TC1-FPP	Discharge Valve
11	L3300T01-FPP	Bleed Valve
12	J40211	Foot Valve/Strainer
13	J61098	Injection Valve

There is a KOPkit (rebuild kit) available for your pump that includes items 1, 2, 5, 7, 8, 9, 10 and a bleed valve O-ring.

The part number for the KOPkit can be found on your pumps data label, or you can determine the KOPkit part number from your pump model number by using the fourth, seventh, eighth, ninth and tenth positions of the model string.

For example:

Model: LB64SA-PTC1-XXX

KOPKIT P/N: K4PTC1

AC00381.001  
11-J-04  
1:3



sales@novatech-usa.com  
www.novatech-usa.com  
Tel: (866) 433-6682 Fax: (866) 433-6684  
Tel: (281) 359-8538 Fax: (281) 359-0084

Use the fourth digit in the model number from your pump to identify the part numbers below

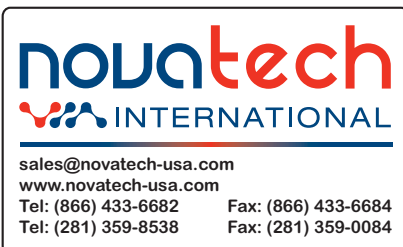
**EXAMPLE MODEL:**

Position	1, 2, 3,4, 5, 6 -7, 8, 9,10-11,12,13
Model:	L B 6 <u>4</u> S A- P T C 1- X X X

For example the pump head (ITEM #1) for this pump would be:

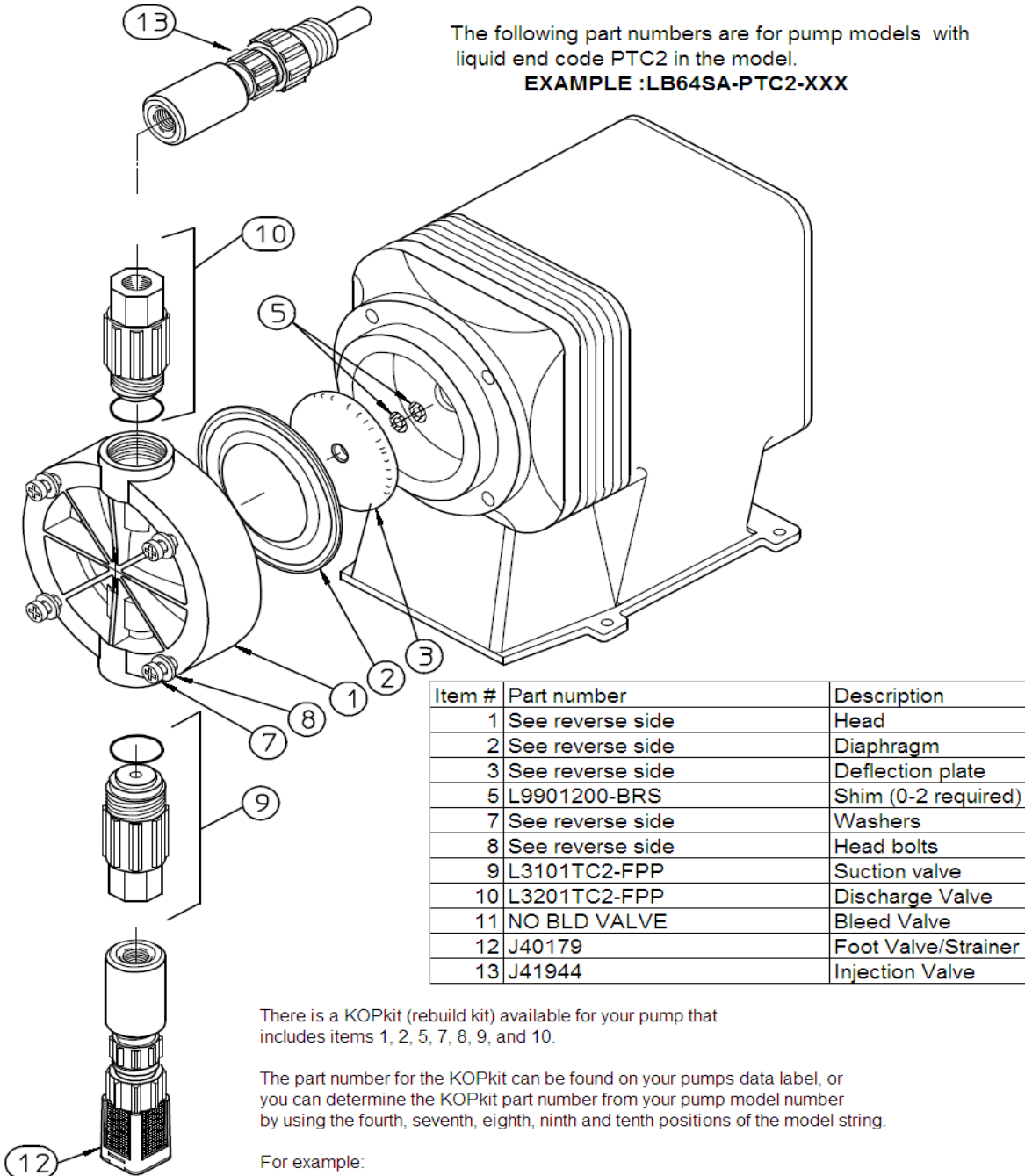
P/N L0200400-FPP

PART NUMBER	QTY	DESCRIPTION
<b>ITEM NO. 1: PUMP HEAD (FPP)</b>		
L0200200-FPP	1	2 IN POSITION NUMBER FOUR OF THE MODEL NUMBER
L0200300-FPP	1	3 IN POSITION NUMBER FOUR OF THE MODEL NUMBER
L0200400-FPP	1	4 IN POSITION NUMBER FOUR OF THE MODEL NUMBER
<b>ITEM NO. 2: DIAPHRAGM</b>		
L0300900-THY	1	2 IN POSITION NUMBER FOUR OF THE MODEL NUMBER
L0301000-THY	1	3 IN POSITION NUMBER FOUR OF THE MODEL NUMBER
L0301100-THY	1	4 IN POSITION NUMBER FOUR OF THE MODEL NUMBER
<b>ITEM NO. 3: DEFLECTION PLATE</b>		
L2100200-FPP	1	2 IN POSITION NUMBER FOUR OF THE MODEL NUMBER
L2100300-FPP	1	3 IN POSITION NUMBER FOUR OF THE MODEL NUMBER
L2100400-FPP	1	4 IN POSITION NUMBER FOUR OF THE MODEL NUMBER
<b>ITEM NO. 7 &amp; 8: PUMP HEAD SCREWS AND WASHERS KIT (CONTAINS BOLTS AND WASHERS)</b>		
L3900200-000	1	2,3, OR 4 IN POSITION NUMBER FOUR OF THE MODEL NUMBER
<b>REPLACEMENT FUSES</b>		
L9707300-000	1	E-PLUS SERIES, AND E SERIES PUMPS WITH FUSE HOLDER
L9711200-000	1	A -PLUS, C, C-PLUS, AND E SERIES PUMPS WITH PC BOARD MOUNTED FUSE
L9704700-000	1	SERIES E-DC PUMPS
L9700700-250	1	SERIES MP PUMP (CIRCUIT BREAKER)





# PTC2 WET END PARTS



Model: LB64SA-PTC2-XXX

KOPKIT P/N: K4PTC2

AC00380.001  
 J-9-04  
 1:3

Use the fourth digit in the model number from your pump to identify the part numbers below

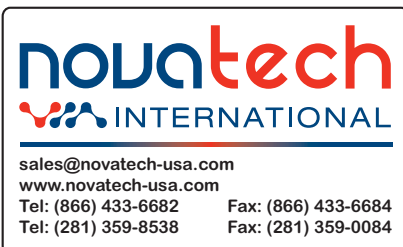
**EXAMPLE MODEL:**

Position	1, 2, 3,4, 5, 6 -7, 8, 9,10-11,12,13
Model:	L B 6 <u>4</u> S A- P T C 2- X X X

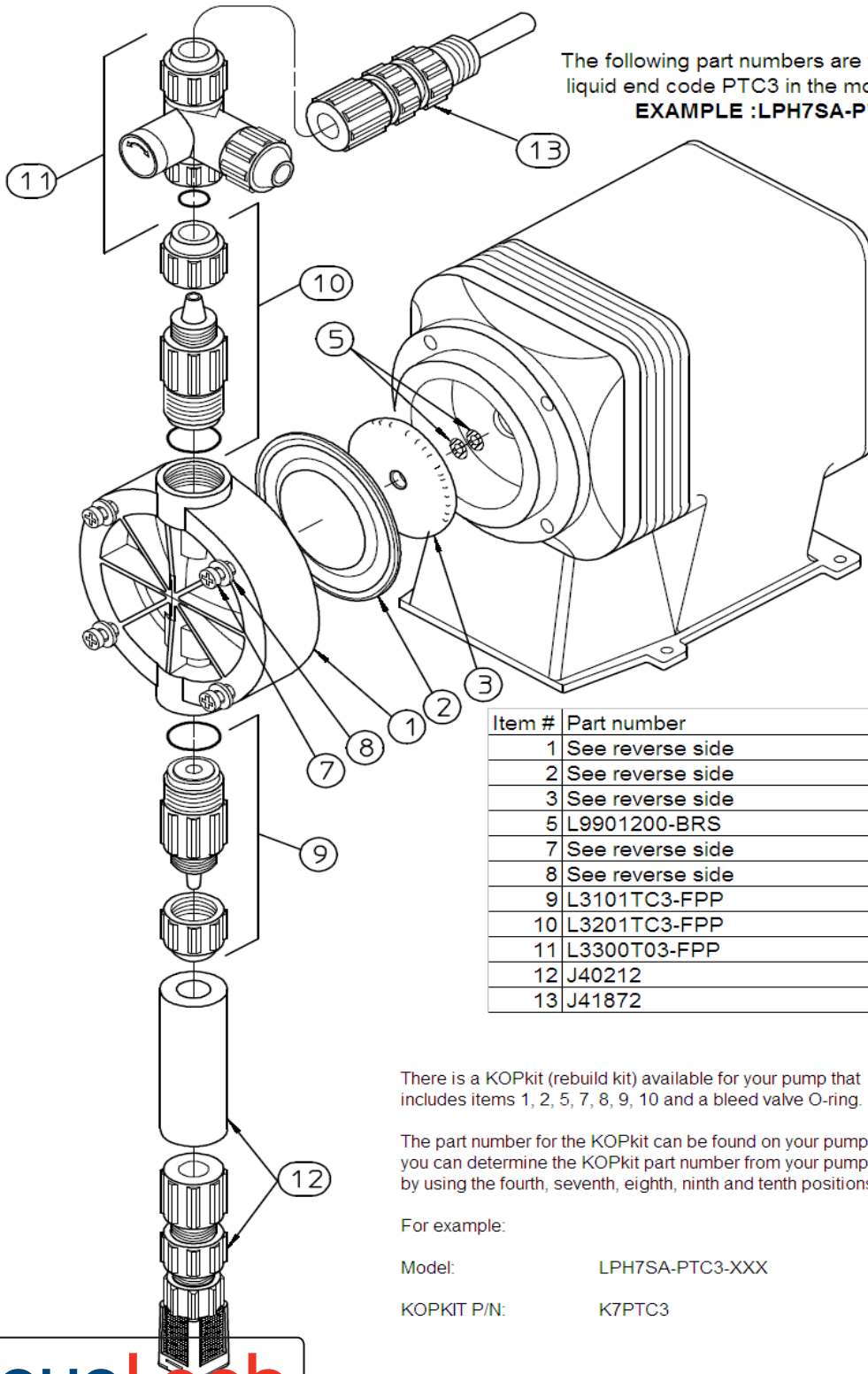
For example the pump head (ITEM #1) for this pump would be:

P/N L0200400-FPP

PART NUMBER	QTY	DESCRIPTION
<b>ITEM NO. 1: PUMP HEAD (FPP)</b>		
L0200200-FPP	1	2 IN POSITION NUMBER FOUR OF THE MODEL NUMBER
L0200300-FPP	1	3 IN POSITION NUMBER FOUR OF THE MODEL NUMBER
L0200400-FPP	1	4 IN POSITION NUMBER FOUR OF THE MODEL NUMBER
<b>ITEM NO. 2: DIAPHRAGM</b>		
L0300900-THY	1	2 IN POSITION NUMBER FOUR OF THE MODEL NUMBER
L0301000-THY	1	3 IN POSITION NUMBER FOUR OF THE MODEL NUMBER
L0301100-THY	1	4 IN POSITION NUMBER FOUR OF THE MODEL NUMBER
<b>ITEM NO. 3: DEFLECTION PLATE</b>		
L2100200-FPP	1	2 IN POSITION NUMBER FOUR OF THE MODEL NUMBER
L2100300-FPP	1	3 IN POSITION NUMBER FOUR OF THE MODEL NUMBER
L2100400-FPP	1	4 IN POSITION NUMBER FOUR OF THE MODEL NUMBER
<b>ITEM NO. 7 &amp; 8: PUMP HEAD SCREWS AND WASHERS KIT (CONTAINS BOLTS AND WASHERS)</b>		
L3900200-000	1	2,3, OR 4 IN POSITION NUMBER FOUR OF THE MODEL NUMBER
<b>REPLACEMENT FUSES</b>		
L9707300-000	1	E-PLUS SERIES, AND E SERIES PUMPS WITH FUSE HOLDER
L9711200-000	1	A -PLUS, C, C-PLUS, AND E SERIES PUMPS WITH PC BOARD MOUNTED FUSE
L9704700-000	1	SERIES E-DC PUMPS
L9700700-250	1	SERIES MP PUMP (CIRCUIT BREAKER)



# PTC3 WET END PARTS



The following part numbers are for pump models with liquid end code PTC3 in the model.

**EXAMPLE :LPH7SA-PTC3-XXX**

Item #	Part number	Description
1	See reverse side	Head
2	See reverse side	Diaphragm
3	See reverse side	Deflection plate
5	L9901200-BRS	Shim (0-2 required)
7	See reverse side	Washers
8	See reverse side	Head bolts
9	L3101TC3-FPP	Suction valve
10	L3201TC3-FPP	Discharge Valve
11	L3300T03-FPP	Bleed Valve
12	J40212	Foot Valve/Strainer
13	J41872	Injection Valve

There is a KOPkit (rebuild kit) available for your pump that includes items 1, 2, 5, 7, 8, 9, 10 and a bleed valve O-ring.

The part number for the KOPkit can be found on your pumps data label, or you can determine the KOPkit part number from your pump model number by using the fourth, seventh, eighth, ninth and tenth positions of the model string.

For example:

Model: LPH7SA-PTC3-XXX

KOPKIT P/N: K7PTC3

AC00381.001  
11-J-04  
1:3



sales@novatech-usa.com  
www.novatech-usa.com  
Tel: (866) 433-6682 Fax: (866) 433-6684  
Tel: (281) 359-8538 Fax: (281) 359-0084

Use the fourth digit in the model number from your pump to identify the part numbers below

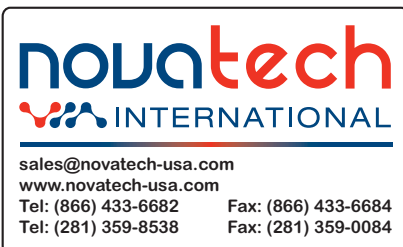
**EXAMPLE MODEL:**

Position	1, 2, 3,4, 5, 6 -7, 8, 9,10-11,12,13
Model:	L P H 7 S A- P T C 3- X X X

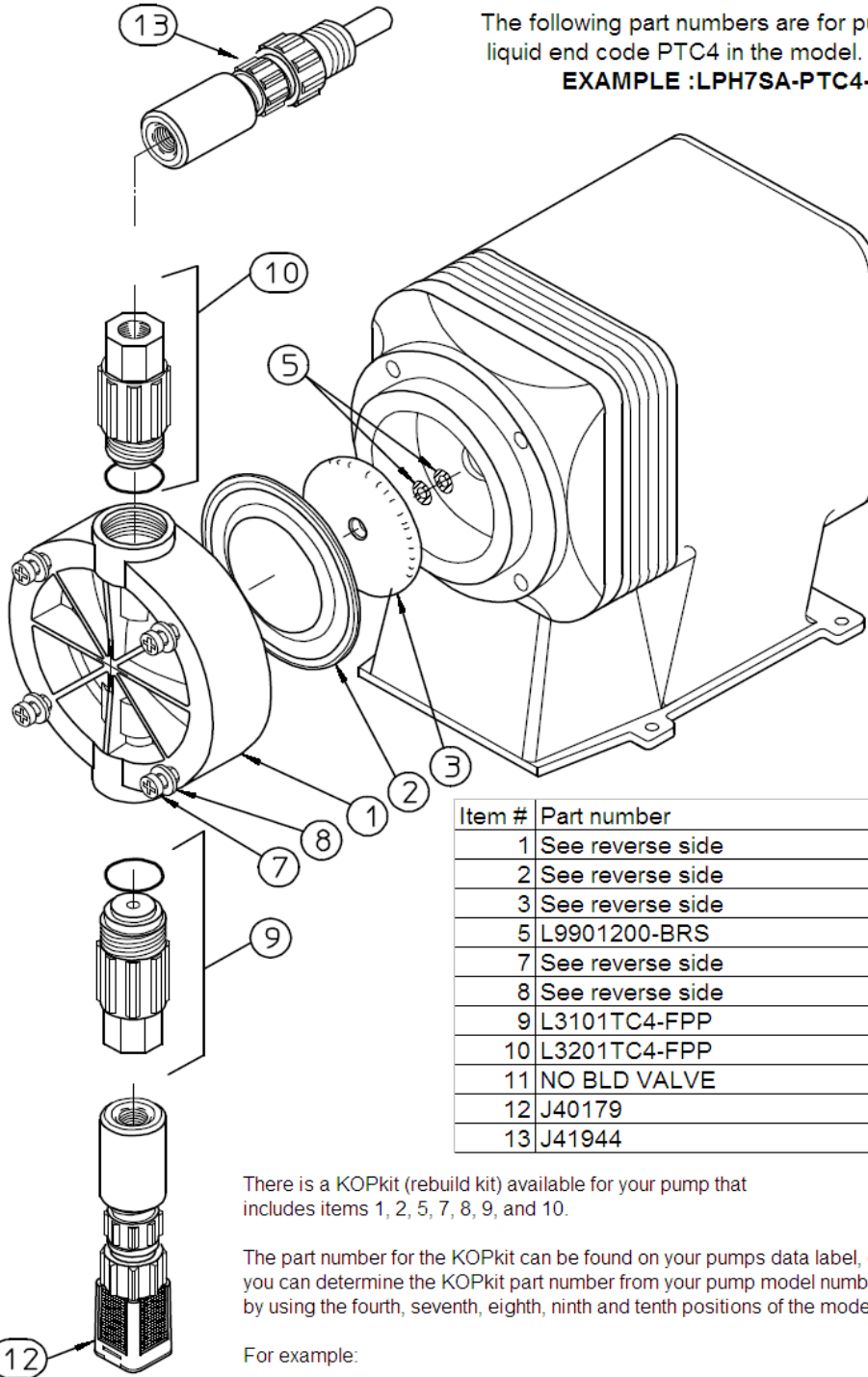
For example the pump head (ITEM #1) for this pump would be:

P/N L0200700-FPP

PART NUMBER	QTY	DESCRIPTION
<b>ITEM NO. 1: PUMP HEAD (FPP)</b>		
L0200400-FPP	1	4 IN POSITION NUMBER FOUR OF THE MODEL NUMBER
L0200500-FPP	1	5 IN POSITION NUMBER FOUR OF THE MODEL NUMBER
L0200600-FPP	1	6 IN POSITION NUMBER FOUR OF THE MODEL NUMBER
L0200700-FPP	1	7 IN POSITION NUMBER FOUR OF THE MODEL NUMBER
<b>ITEM NO. 2: DIAPHRAGM</b>		
L0301100-THY	1	4 IN POSITION NUMBER FOUR OF THE MODEL NUMBER
L0301200-THY	1	5 IN POSITION NUMBER FOUR OF THE MODEL NUMBER
L0301300-THY	1	6 IN POSITION NUMBER FOUR OF THE MODEL NUMBER
L0301400-THY	1	7 IN POSITION NUMBER FOUR OF THE MODEL NUMBER
<b>ITEM NO. 3: DEFLECTION PLATE</b>		
L2100400-FPP	1	4 IN POSITION NUMBER FOUR OF THE MODEL NUMBER
L2100500-FPP	1	5 IN POSITION NUMBER FOUR OF THE MODEL NUMBER
L2100600-FPP	1	6 IN POSITION NUMBER FOUR OF THE MODEL NUMBER
L2100700-FPP	1	7 IN POSITION NUMBER FOUR OF THE MODEL NUMBER
<b>ITEM NO. 7 &amp; 8: PUMP HEAD SCREWS AND WASHERS KIT (CONTAINS BOLTS AND WASHERS)</b>		
L3900200-000	1	2,3, OR 4 IN POSITION NUMBER FOUR OF THE MODEL NUMBER
L3900300-000	1	5, 6 OR 7 IN POSITION NUMBER FOUR OF THE MODEL NUMBER
<b>REPLACEMENT FUSES</b>		
L9707300-000	1	E-PLUS SERIES, AND E SERIES PUMPS WITH FUSE HOLDER
L9711200-000	1	A -PLUS, C, C-PLUS, AND E SERIES PUMPS WITH PC BOARD MOUNTED FUSE
L9704700-000	1	SERIES E-DC PUMPS
L9700700-250	1	SERIES MP PUMP (CIRCUIT BREAKER)



# PTC4 WET END PARTS



The following part numbers are for pump models with liquid end code PTC4 in the model.

**EXAMPLE :LPH7SA-PTC4-XXX**

Item #	Part number	Description
1	See reverse side	Head
2	See reverse side	Diaphragm
3	See reverse side	Deflection plate
5	L9901200-BRS	Shim (0-2 required)
7	See reverse side	Washers
8	See reverse side	Head bolts
9	L3101TC4-FPP	Suction valve
10	L3201TC4-FPP	Discharge Valve
11	NO BLD VALVE	Bleed Valve
12	J40179	Foot Valve/Strainer
13	J41944	Injection Valve

There is a KOPkit (rebuild kit) available for your pump that includes items 1, 2, 5, 7, 8, 9, and 10.

The part number for the KOPkit can be found on your pumps data label, or you can determine the KOPkit part number from your pump model number by using the fourth, seventh, eighth, ninth and tenth positions of the model string.

For example:

Model: LPH7SA-PTC4-XXX  
KOPKIT P/N: K7PTC4

Use the fourth digit in the model number from your pump to identify the part numbers below

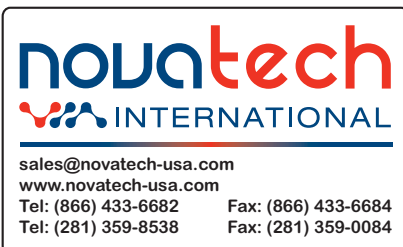
**EXAMPLE MODEL:**

Position	1, 2, 3,4, 5, 6 -7, 8, 9,10-11,12,13
Model:	L P H 7 S A- P T C 4- X X X

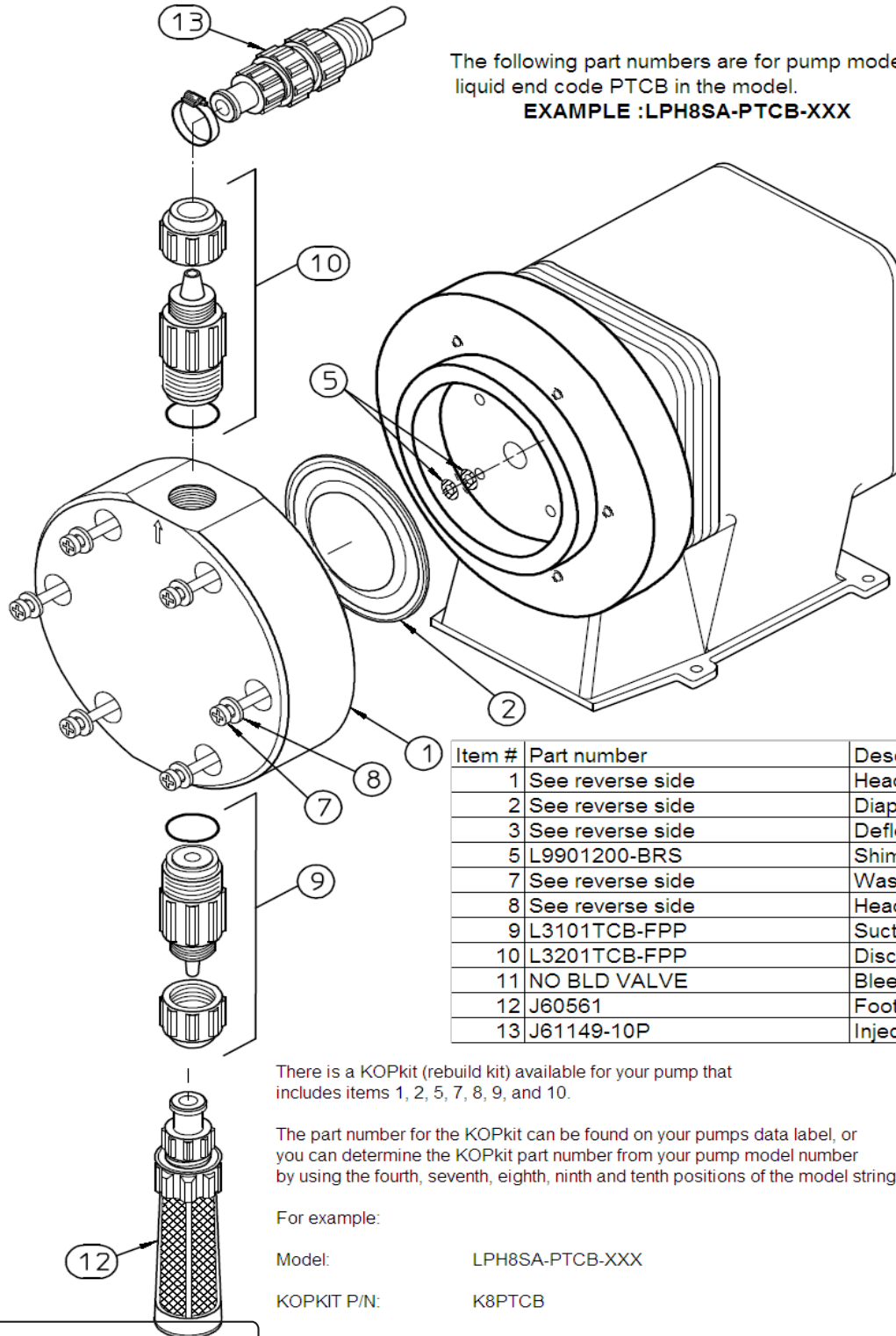
For example the pump head (ITEM #1) for this pump would be:

**P/N L0200700-FPP**

PART NUMBER	QTY	DESCRIPTION
<b>ITEM NO. 1: PUMP HEAD (FPP)</b>		
L0200400-FPP	1	4 IN POSITION NUMBER FOUR OF THE MODEL NUMBER
L0200500-FPP	1	5 IN POSITION NUMBER FOUR OF THE MODEL NUMBER
L0200600-FPP	1	6 IN POSITION NUMBER FOUR OF THE MODEL NUMBER
L0200700-FPP	1	7 IN POSITION NUMBER FOUR OF THE MODEL NUMBER
<b>ITEM NO. 2: DIAPHRAGM</b>		
L0301100-THY	1	4 IN POSITION NUMBER FOUR OF THE MODEL NUMBER
L0301200-THY	1	5 IN POSITION NUMBER FOUR OF THE MODEL NUMBER
L0301300-THY	1	6 IN POSITION NUMBER FOUR OF THE MODEL NUMBER
L0301400-THY	1	7 IN POSITION NUMBER FOUR OF THE MODEL NUMBER
<b>ITEM NO. 3: DEFLECTION PLATE</b>		
L2100400-FPP	1	4 IN POSITION NUMBER FOUR OF THE MODEL NUMBER
L2100500-FPP	1	5 IN POSITION NUMBER FOUR OF THE MODEL NUMBER
L2100600-FPP	1	6 IN POSITION NUMBER FOUR OF THE MODEL NUMBER
L2100700-FPP	1	7 IN POSITION NUMBER FOUR OF THE MODEL NUMBER
<b>ITEM NO. 7 &amp; 8: PUMP HEAD SCREWS AND WASHERS KIT (CONTAINS BOLTS AND WASHERS)</b>		
L3900200-000	1	2,3, OR 4 IN POSITION NUMBER FOUR OF THE MODEL NUMBER
L3900300-000	1	5, 6 OR 7 IN POSITION NUMBER FOUR OF THE MODEL NUMBER
<b>REPLACEMENT FUSES</b>		
L9707300-000	1	E-PLUS SERIES, AND E SERIES PUMPS WITH FUSE HOLDER
L9711200-000	1	A -PLUS, C, C-PLUS, AND E SERIES PUMPS WITH PC BOARD MOUNTED FUSE
L9704700-000	1	SERIES E-DC PUMPS
L9700700-250	1	SERIES MP PUMP (CIRCUIT BREAKER)



# PTCB WET END PARTS



The following part numbers are for pump models with liquid end code PTCB in the model.

**EXAMPLE :LPH8SA-PTCB-XXX**

Item #	Part number	Description
1	See reverse side	Head
2	See reverse side	Diaphragm
3	See reverse side	Deflection plate
5	L9901200-BRS	Shim (0-2 required)
7	See reverse side	Washers
8	See reverse side	Head bolts
9	L3101TCB-FPP	Suction valve
10	L3201TCB-FPP	Discharge Valve
11	NO BLD VALVE	Bleed Valve
12	J60561	Foot Valve/Strainer
13	J61149-10P	Injection Valve

There is a KOPkit (rebuild kit) available for your pump that includes items 1, 2, 5, 7, 8, 9, and 10.

The part number for the KOPkit can be found on your pumps data label, or you can determine the KOPkit part number from your pump model number by using the fourth, seventh, eighth, ninth and tenth positions of the model string.

For example:

Model: LPH8SA-PTCB-XXX

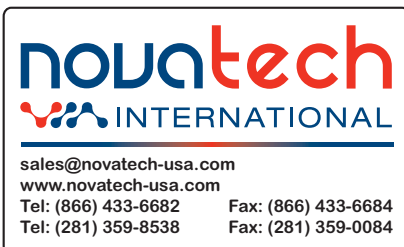
KOPKIT P/N: K8PTCB

AC00382.001  
27-J-04  
1:3



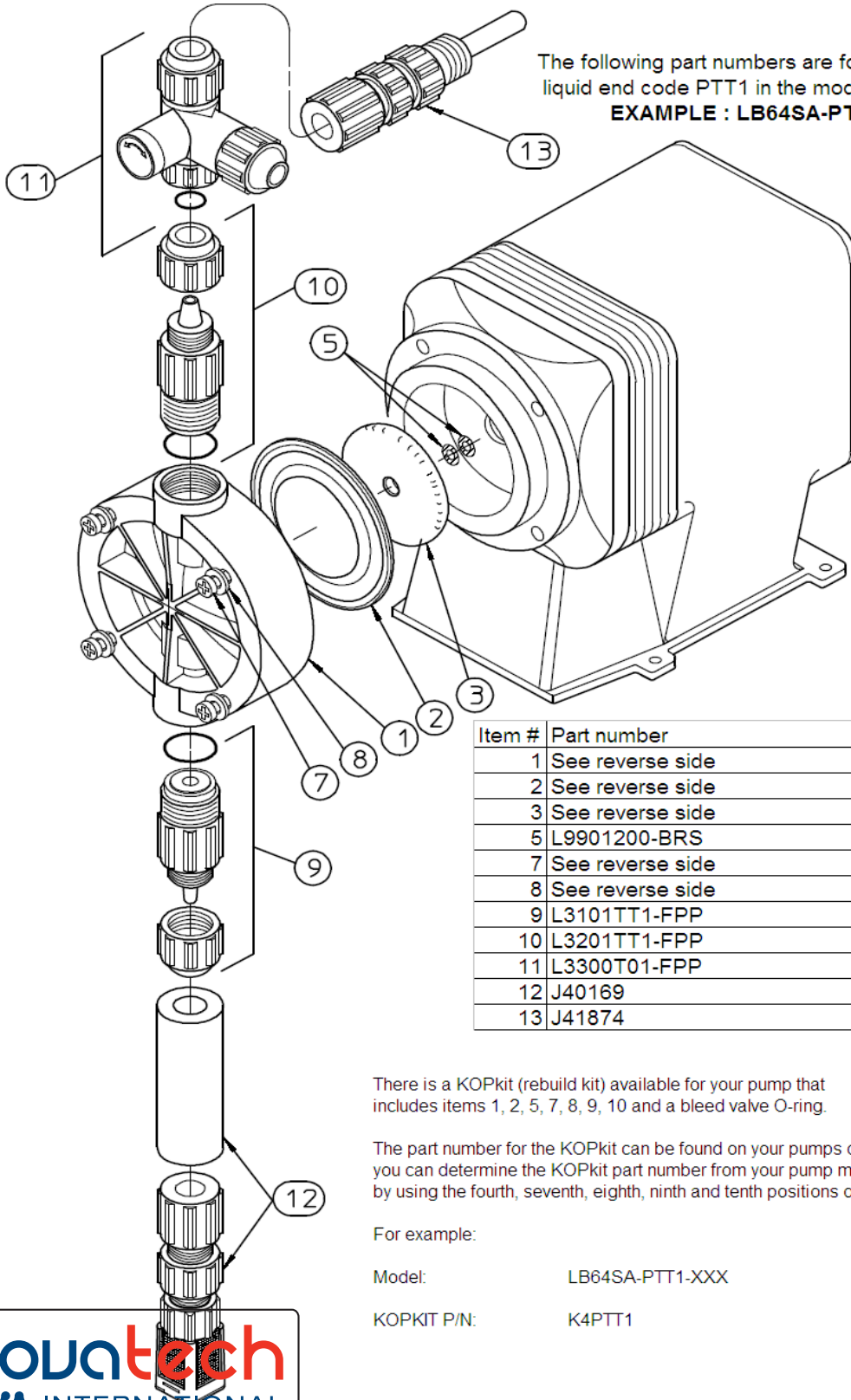
sales@novatech-usa.com  
www.novatech-usa.com  
Tel: (866) 433-6682 Fax: (866) 433-6684  
Tel: (281) 359-8538 Fax: (281) 359-0084

PART NUMBER	QTY	DESCRIPTION
<b>ITEM NO. 1: PUMP HEAD (PPL)</b>		
L0200800-PPL	1	
<b>ITEM NO. 2: DIAPHRAGM</b>		
L0301600-THY	1	
<b>ITEM NO. 3: DEFLECTION PLATE</b>		
	0	NOT USED ON THESE MODELS
<b>ITEM NO. 7 &amp; 8: PUMP HEAD SCREWS AND WASHERS KIT (CONTAINS BOLTS AND WASHERS)</b>		
L3900400-000	1	
<b>REPLACEMENT FUSES</b>		
L9707300-000	1	E-PLUS SERIES, AND E SERIES PUMPS WITH FUSE HOLDER
L9700700-250	1	SERIES MP PUMP (CIRCUIT BREAKER)





# PTT1 WET END PARTS



The following part numbers are for pump models with liquid end code PTT1 in the model.

**EXAMPLE : LB64SA-PTT1-XXX**

Item #	Part number	Description
1	See reverse side	Head
2	See reverse side	Diaphragm
3	See reverse side	Deflection plate
5	L9901200-BRS	Shim (0-2 required)
7	See reverse side	Washers
8	See reverse side	Head bolts
9	L3101TT1-FPP	Suction valve
10	L3201TT1-FPP	Discharge Valve
11	L3300T01-FPP	Bleed Valve
12	J40169	Foot Valve/Strainer
13	J41874	Injection Valve

There is a KOPkit (rebuild kit) available for your pump that includes items 1, 2, 5, 7, 8, 9, 10 and a bleed valve O-ring.

The part number for the KOPkit can be found on your pumps data label, or you can determine the KOPkit part number from your pump model number by using the fourth, seventh, eighth, ninth and tenth positions of the model string.

For example:

Model: LB64SA-PTT1-XXX

KOPKIT P/N: K4PTT1

**novatech**  
INTERNATIONAL

sales@novatech-usa.com  
www.novatech-usa.com  
Tel: (866) 433-6682 Fax: (866) 433-6684  
Tel: (281) 359-8538 Fax: (281) 359-0084

AC00381.001  
11-J-04  
1:3

Use the fourth digit in the model number from your pump to identify the part numbers below

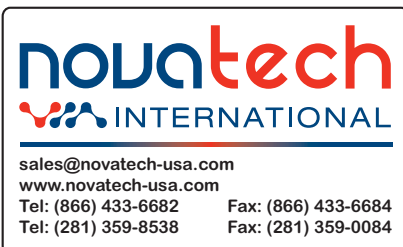
**EXAMPLE MODEL:**

Position	1, 2, 3,4, 5, 6 -7, 8, 9,10-11,12,13
Model:	L B 6 <u>4</u> S A- P T T 1- X X X

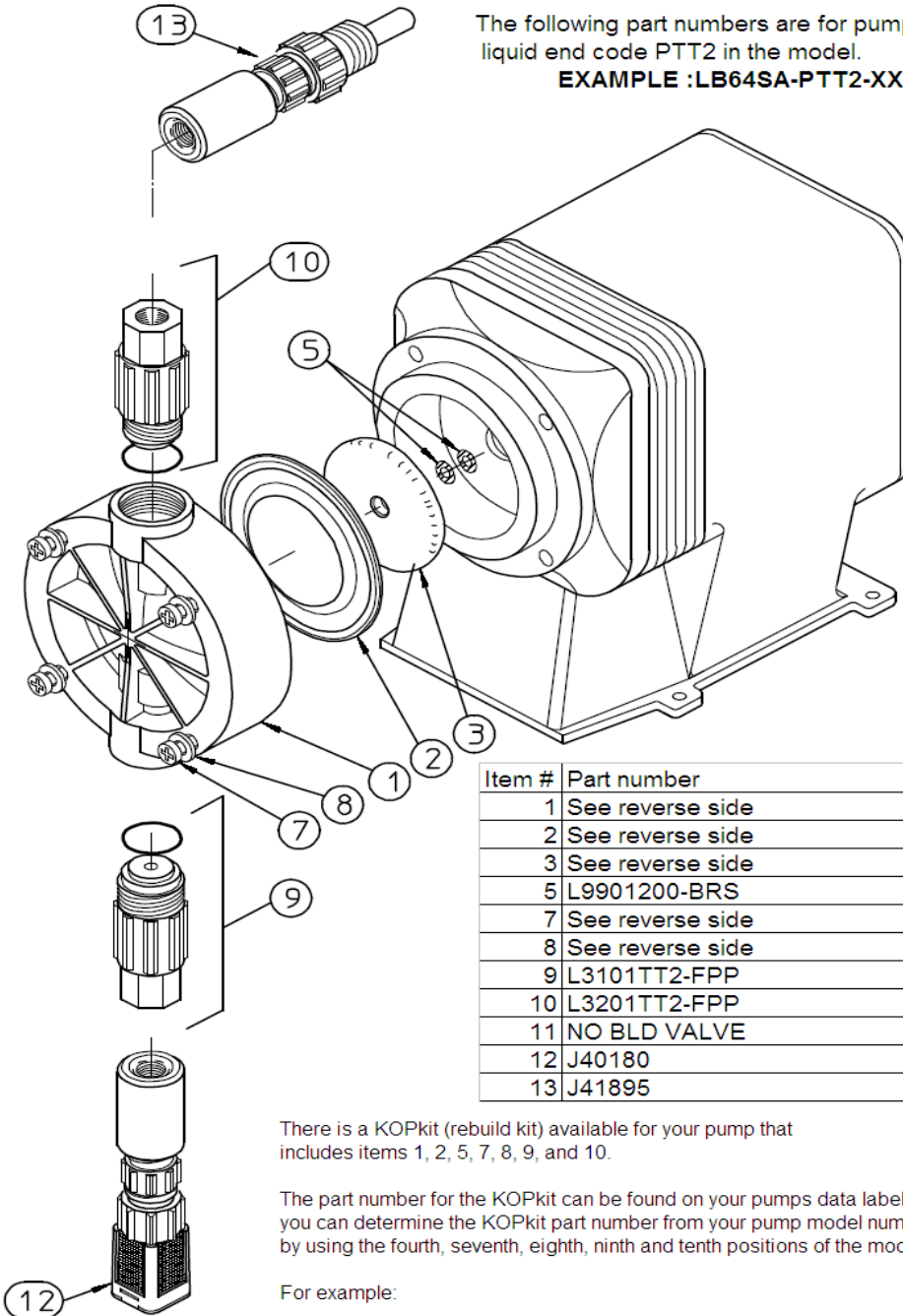
For example the pump head (ITEM #1) for this pump would be:

P/N L0200400-FPP

PART NUMBER	QTY	DESCRIPTION
<b>ITEM NO. 1: PUMP HEAD (FPP)</b>		
L0200200-FPP	1	2 IN POSITION NUMBER FOUR OF THE MODEL NUMBER
L0200300-FPP	1	3 IN POSITION NUMBER FOUR OF THE MODEL NUMBER
L0200400-FPP	1	4 IN POSITION NUMBER FOUR OF THE MODEL NUMBER
<b>ITEM NO. 2: DIAPHRAGM</b>		
L0300900-THY	1	2 IN POSITION NUMBER FOUR OF THE MODEL NUMBER
L0301000-THY	1	3 IN POSITION NUMBER FOUR OF THE MODEL NUMBER
L0301100-THY	1	4 IN POSITION NUMBER FOUR OF THE MODEL NUMBER
<b>ITEM NO. 3: DEFLECTION PLATE</b>		
L2100200-FPP	1	2 IN POSITION NUMBER FOUR OF THE MODEL NUMBER
L2100300-FPP	1	3 IN POSITION NUMBER FOUR OF THE MODEL NUMBER
L2100400-FPP	1	4 IN POSITION NUMBER FOUR OF THE MODEL NUMBER
<b>ITEM NO. 7 &amp; 8: PUMP HEAD SCREWS AND WASHERS KIT (CONTAINS BOLTS AND WASHERS)</b>		
L3900200-000	1	2,3, OR 4 IN POSITION NUMBER FOUR OF THE MODEL NUMBER
<b>REPLACEMENT FUSES</b>		
L9707300-000	1	E-PLUS SERIES, AND E SERIES PUMPS WITH FUSE HOLDER
L9711200-000	1	A -PLUS, C, C-PLUS, AND E SERIES PUMPS WITH PC BOARD MOUNTED FUSE
L9704700-000	1	SERIES E-DC PUMPS
L9700700-250	1	SERIES MP PUMP (CIRCUIT BREAKER)



# PTT2 WET END PARTS



The following part numbers are for pump models with liquid end code PTT2 in the model.

**EXAMPLE :LB64SA-PTT2-XXX**

Item #	Part number	Description
1	See reverse side	Head
2	See reverse side	Diaphragm
3	See reverse side	Deflection plate
5	L9901200-BRS	Shim (0-2 required)
7	See reverse side	Washers
8	See reverse side	Head bolts
9	L3101TT2-FPP	Suction valve
10	L3201TT2-FPP	Discharge Valve
11	NO BLD VALVE	Bleed Valve
12	J40180	Foot Valve/Strainer
13	J41895	Injection Valve

There is a KOPkit (rebuild kit) available for your pump that includes items 1, 2, 5, 7, 8, 9, and 10.

The part number for the KOPkit can be found on your pumps data label, or you can determine the KOPkit part number from your pump model number by using the fourth, seventh, eighth, ninth and tenth positions of the model string.

For example:

Model: LB64SA-PTT2-XXX

KOPKIT P/N: K4PTT2

AC00380.001  
J-9-04  
1:3

Use the fourth digit in the model number from your pump to identify the part numbers below

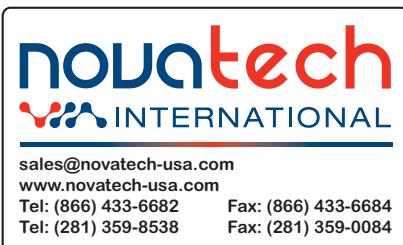
**EXAMPLE MODEL:**

Position	1, 2, 3,4, 5, 6 -7, 8, 9,10-11,12,13
Model:	L B 6 <u>4</u> S A- P T T 2- X X X

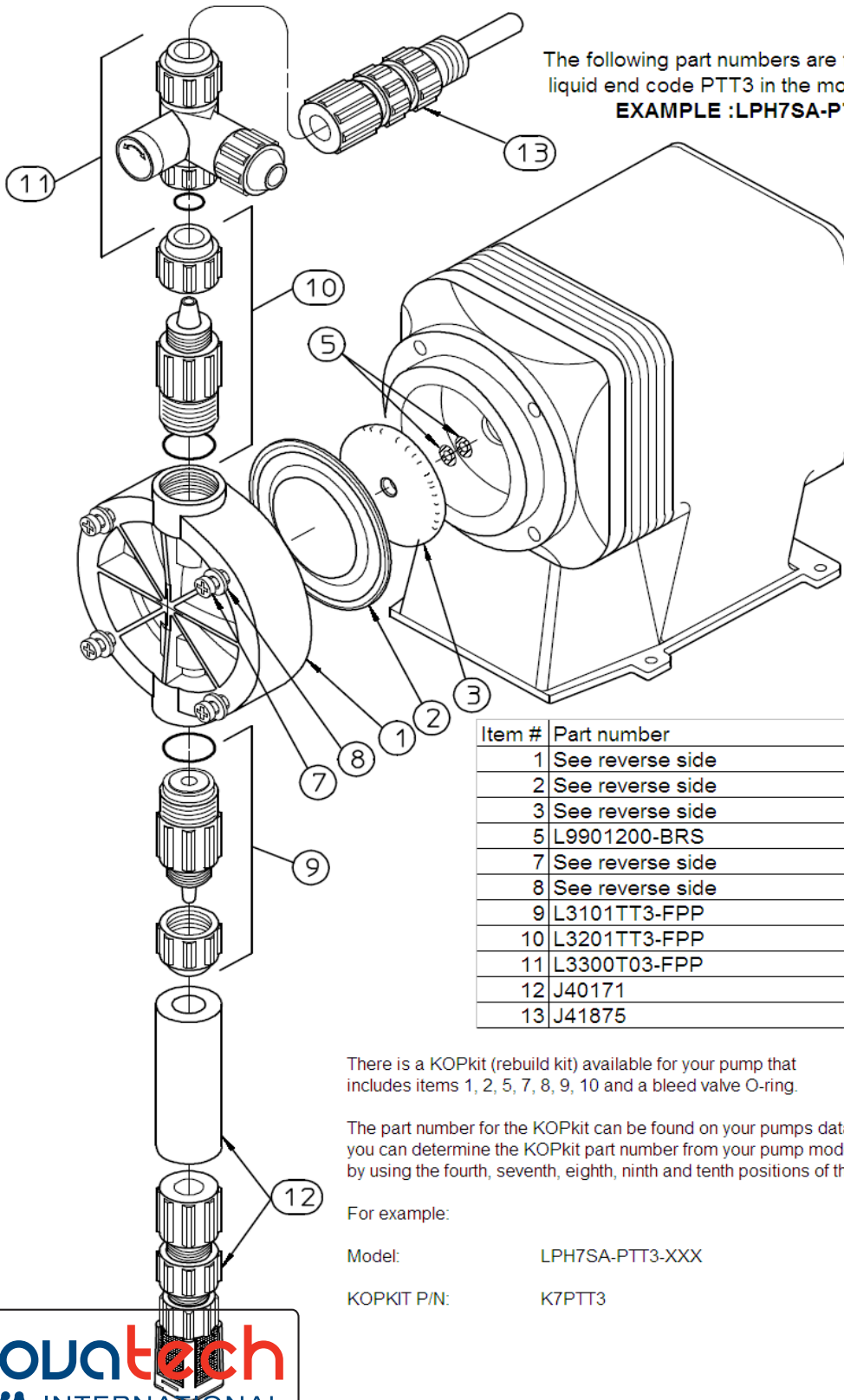
For example the pump head (ITEM #1) for this pump would be:

P/N L0200400-FPP

PART NUMBER	QTY	DESCRIPTION
<b>ITEM NO. 1: PUMP HEAD (FPP)</b>		
L0200200-FPP	1	2 IN POSITION NUMBER FOUR OF THE MODEL NUMBER
L0200300-FPP	1	3 IN POSITION NUMBER FOUR OF THE MODEL NUMBER
L0200400-FPP	1	4 IN POSITION NUMBER FOUR OF THE MODEL NUMBER
<b>ITEM NO. 2: DIAPHRAGM</b>		
L0300900-THY	1	2 IN POSITION NUMBER FOUR OF THE MODEL NUMBER
L0301000-THY	1	3 IN POSITION NUMBER FOUR OF THE MODEL NUMBER
L0301100-THY	1	4 IN POSITION NUMBER FOUR OF THE MODEL NUMBER
<b>ITEM NO. 3: DEFLECTION PLATE</b>		
L2100200-FPP	1	2 IN POSITION NUMBER FOUR OF THE MODEL NUMBER
L2100300-FPP	1	3 IN POSITION NUMBER FOUR OF THE MODEL NUMBER
L2100400-FPP	1	4 IN POSITION NUMBER FOUR OF THE MODEL NUMBER
<b>ITEM NO. 7 &amp; 8: PUMP HEAD SCREWS AND WASHERS KIT (CONTAINS BOLTS AND WASHERS)</b>		
L3900200-000	1	2,3, OR 4 IN POSITION NUMBER FOUR OF THE MODEL NUMBER
<b>REPLACEMENT FUSES</b>		
L9707300-000	1	E-PLUS SERIES, AND E SERIES PUMPS WITH FUSE HOLDER
L9711200-000	1	A -PLUS, C, C-PLUS, AND E SERIES PUMPS WITH PC BOARD MOUNTED FUSE
L9704700-000	1	SERIES E-DC PUMPS
L9700700-250	1	SERIES MP PUMP (CIRCUIT BREAKER)



# PTT3 WET END PARTS



The following part numbers are for pump models with liquid end code PTT3 in the model.

**EXAMPLE :LPH7SA-PTT3-XXX**

Item #	Part number	Description
1	See reverse side	Head
2	See reverse side	Diaphragm
3	See reverse side	Deflection plate
5	L9901200-BRS	Shim (0-2 required)
7	See reverse side	Washers
8	See reverse side	Head bolts
9	L3101TT3-FPP	Suction valve
10	L3201TT3-FPP	Discharge Valve
11	L3300T03-FPP	Bleed Valve
12	J40171	Foot Valve/Strainer
13	J41875	Injection Valve

There is a KOPkit (rebuild kit) available for your pump that includes items 1, 2, 5, 7, 8, 9, 10 and a bleed valve O-ring.

The part number for the KOPkit can be found on your pumps data label, or you can determine the KOPkit part number from your pump model number by using the fourth, seventh, eighth, ninth and tenth positions of the model string.

For example:

Model: LPH7SA-PTT3-XXX

KOPKIT P/N: K7PTT3



sales@novatech-usa.com  
 www.novatech-usa.com  
 Tel: (866) 433-6682 Fax: (866) 433-6684  
 Tel: (281) 359-8538 Fax: (281) 359-0084

AC00381.001  
 11-J-04  
 1:3

Use the fourth digit in the model number from your pump to identify the part numbers below

**EXAMPLE MODEL:**

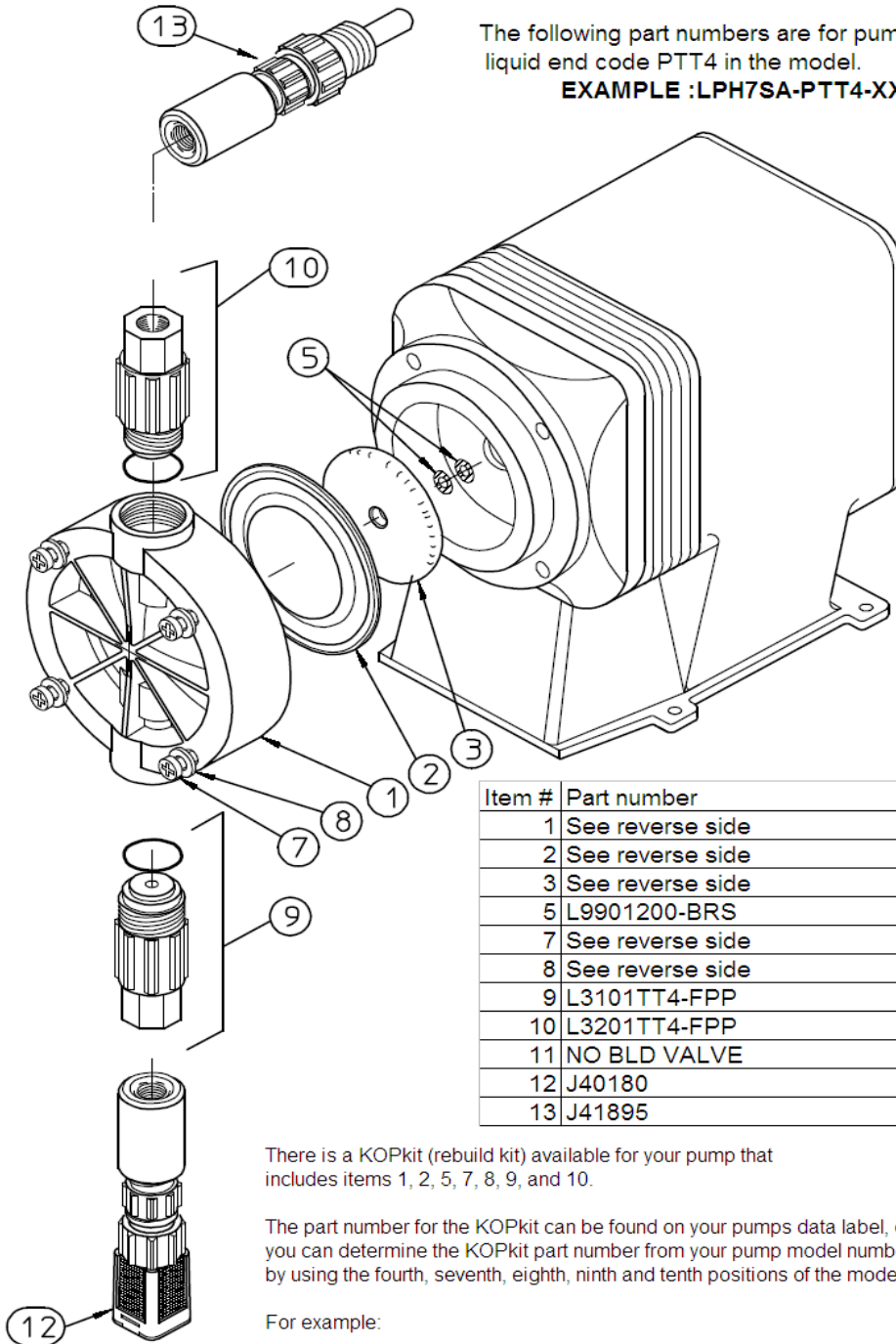
Position	1, 2, 3,4, 5, 6 -7, 8, 9,10-11,12,13
Model:	L P H7 S A- P T T 3- X X X

For example the pump head (ITEM #1) for this pump would be:

P/N L0200700-FPP

PART NUMBER	QTY	DESCRIPTION
<b>ITEM NO. 1: PUMP HEAD (FPP)</b>		
L0200400-FPP	1	4 IN POSITION NUMBER FOUR OF THE MODEL NUMBER
L0200500-FPP	1	5 IN POSITION NUMBER FOUR OF THE MODEL NUMBER
L0200600-FPP	1	6 IN POSITION NUMBER FOUR OF THE MODEL NUMBER
L0200700-FPP	1	7 IN POSITION NUMBER FOUR OF THE MODEL NUMBER
<b>ITEM NO. 2: DIAPHRAGM</b>		
L0301100-THY	1	4 IN POSITION NUMBER FOUR OF THE MODEL NUMBER
L0301200-THY	1	5 IN POSITION NUMBER FOUR OF THE MODEL NUMBER
L0301300-THY	1	6 IN POSITION NUMBER FOUR OF THE MODEL NUMBER
L0301400-THY	1	7 IN POSITION NUMBER FOUR OF THE MODEL NUMBER
<b>ITEM NO. 3: DEFLECTION PLATE</b>		
L2100400-FPP	1	4 IN POSITION NUMBER FOUR OF THE MODEL NUMBER
L2100500-FPP	1	5 IN POSITION NUMBER FOUR OF THE MODEL NUMBER
L2100600-FPP	1	6 IN POSITION NUMBER FOUR OF THE MODEL NUMBER
L2100700-FPP	1	7 IN POSITION NUMBER FOUR OF THE MODEL NUMBER
<b>ITEM NO. 7 &amp; 8: PUMP HEAD SCREWS AND WASHERS KIT (CONTAINS BOLTS AND WASHERS)</b>		
L3900200-000	1	2,3, OR 4 IN POSITION NUMBER FOUR OF THE MODEL NUMBER
L3900300-000	1	5, 6 OR 7 IN POSITION NUMBER FOUR OF THE MODEL NUMBER
<b>REPLACEMENT FUSES</b>		
L9707300-000	1	E-PLUS SERIES, AND E SERIES PUMPS WITH FUSE HOLDER
L9711200-000	1	A -PLUS, C, C-PLUS, AND E SERIES PUMPS WITH PC BOARD MOUNTED FUSE
L9704700-000	1	SERIES E-DC PUMPS
L9700700-250	1	SERIES MP PUMP (CIRCUIT BREAKER)

# PTT4 WET END PARTS



The following part numbers are for pump models with liquid end code PTT4 in the model.

**EXAMPLE :LPH7SA-PTT4-XXX**

Item #	Part number	Description
1	See reverse side	Head
2	See reverse side	Diaphragm
3	See reverse side	Deflection plate
5	L9901200-BRS	Shim (0-2 required)
7	See reverse side	Washers
8	See reverse side	Head bolts
9	L3101TT4-FPP	Suction valve
10	L3201TT4-FPP	Discharge Valve
11	NO BLD VALVE	Bleed Valve
12	J40180	Foot Valve/Strainer
13	J41895	Injection Valve

There is a KOPkit (rebuild kit) available for your pump that includes items 1, 2, 5, 7, 8, 9, and 10.

The part number for the KOPkit can be found on your pumps data label, or you can determine the KOPkit part number from your pump model number by using the fourth, seventh, eighth, ninth and tenth positions of the model string.

For example:

Model: LPH7SA-PTT4-XXX

KOPKIT P/N: K7PTT4

AC00380.001  
J-9-04  
1:3

**novatech**  
INTERNATIONAL

sales@novatech-usa.com  
www.novatech-usa.com  
Tel: (866) 433-6682 Fax: (866) 433-6684  
Tel: (281) 359-8538 Fax: (281) 359-0084

Use the fourth digit in the model number from your pump to identify the part numbers below

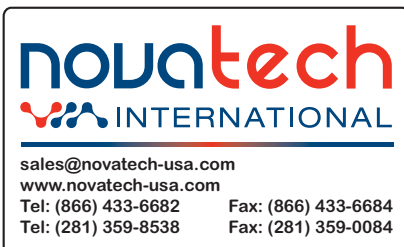
**EXAMPLE MODEL:**

Position	1, 2, 3,4, 5, 6 -7, 8, 9,10-11,12,13
Model:	L P H7 S A- P T T 4- X X X

For example the pump head (ITEM #1) for this pump would be:

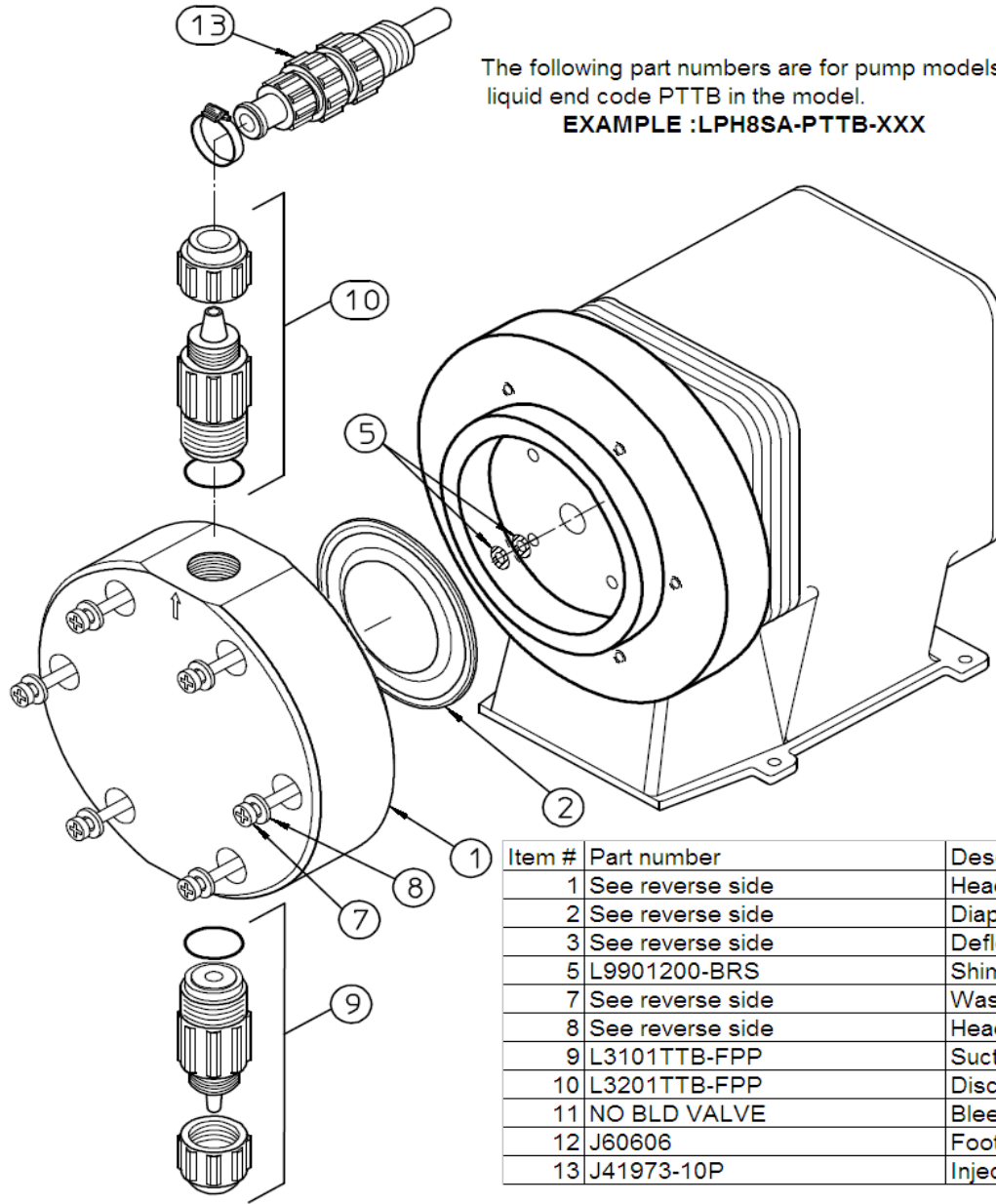
P/N L0200700-FPP

PART NUMBER	QTY	DESCRIPTION
<b>ITEM NO. 1: PUMP HEAD (FPP)</b>		
L0200400-FPP	1	4 IN POSITION NUMBER FOUR OF THE MODEL NUMBER
L0200500-FPP	1	5 IN POSITION NUMBER FOUR OF THE MODEL NUMBER
L0200600-FPP	1	6 IN POSITION NUMBER FOUR OF THE MODEL NUMBER
L0200700-FPP	1	7 IN POSITION NUMBER FOUR OF THE MODEL NUMBER
<b>ITEM NO. 2: DIAPHRAGM</b>		
L0301100-THY	1	4 IN POSITION NUMBER FOUR OF THE MODEL NUMBER
L0301200-THY	1	5 IN POSITION NUMBER FOUR OF THE MODEL NUMBER
L0301300-THY	1	6 IN POSITION NUMBER FOUR OF THE MODEL NUMBER
L0301400-THY	1	7 IN POSITION NUMBER FOUR OF THE MODEL NUMBER
<b>ITEM NO. 3: DEFLECTION PLATE</b>		
L2100400-FPP	1	4 IN POSITION NUMBER FOUR OF THE MODEL NUMBER
L2100500-FPP	1	5 IN POSITION NUMBER FOUR OF THE MODEL NUMBER
L2100600-FPP	1	6 IN POSITION NUMBER FOUR OF THE MODEL NUMBER
L2100700-FPP	1	7 IN POSITION NUMBER FOUR OF THE MODEL NUMBER
<b>ITEM NO. 7 &amp; 8: PUMP HEAD SCREWS AND WASHERS KIT (CONTAINS BOLTS AND WASHERS)</b>		
L3900200-000	1	2,3, OR 4 IN POSITION NUMBER FOUR OF THE MODEL NUMBER
L3900300-000	1	5, 6 OR 7 IN POSITION NUMBER FOUR OF THE MODEL NUMBER
<b>REPLACEMENT FUSES</b>		
L9707300-000	1	E-PLUS SERIES, AND E SERIES PUMPS WITH FUSE HOLDER
L9711200-000	1	A -PLUS, C, C-PLUS, AND E SERIES PUMPS WITH PC BOARD MOUNTED FUSE
L9704700-000	1	SERIES E-DC PUMPS
L9700700-250	1	SERIES MP PUMP (CIRCUIT BREAKER)





# PTTB WET END PARTS



The following part numbers are for pump models with liquid end code PTTB in the model.

**EXAMPLE :LPH8SA-PTTB-XXX**

Item #	Part number	Description
1	See reverse side	Head
2	See reverse side	Diaphragm
3	See reverse side	Deflection plate
5	L9901200-BRS	Shim (0-2 required)
7	See reverse side	Washers
8	See reverse side	Head bolts
9	L3101TTB-FPP	Suction valve
10	L3201TTB-FPP	Discharge Valve
11	NO BLD VALVE	Bleed Valve
12	J60606	Foot Valve/Strainer
13	J41973-10P	Injection Valve

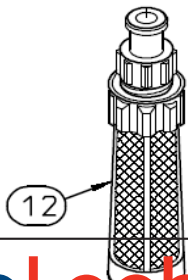
There is a KOPkit (rebuild kit) available for your pump that includes items 1, 2, 5, 7, 8, 9, and 10.

The part number for the KOPkit can be found on your pumps data label, or you can determine the KOPkit part number from your pump model number by using the fourth, seventh, eighth, ninth and tenth positions of the model string.

For example:

Model: LPH8SA-PTTB-XXX

KOPKIT P/N: K8PTTB



**novatech**  
INTERNATIONAL

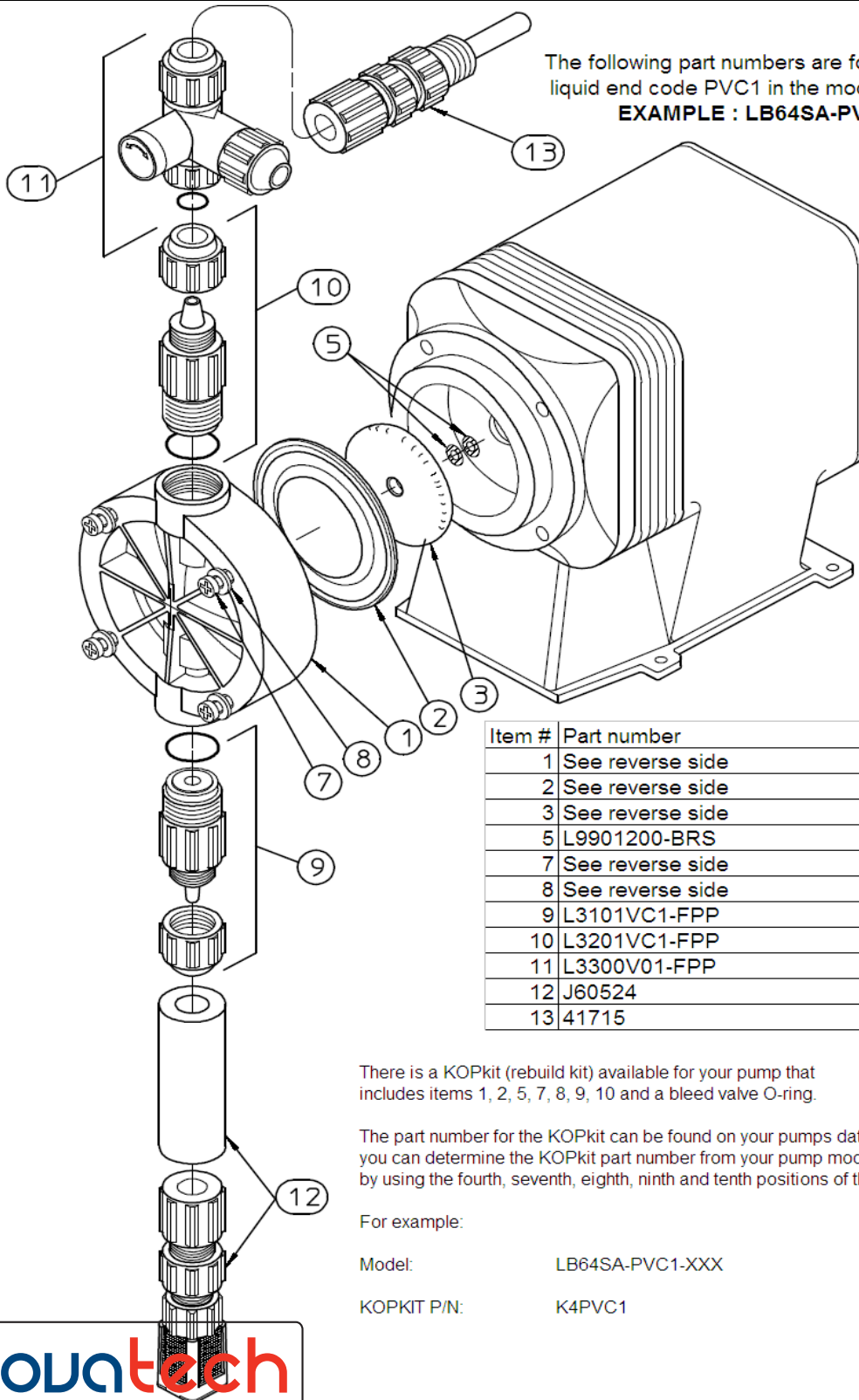
sales@novatech-usa.com  
www.novatech-usa.com  
Tel: (866) 433-6682 Fax: (866) 433-6684  
Tel: (281) 359-8538 Fax: (281) 359-0084

AC00382.001  
27-J-04  
1:3

PART NUMBER	QTY	DESCRIPTION
<b>ITEM NO. 1: PUMP HEAD (PPL)</b>		
L0200800-PPL	1	
<b>ITEM NO. 2: DIAPHRAGM</b>		
L0301600-THY	1	
<b>ITEM NO. 3: DEFLECTION PLATE</b>		
	0	NOT USED ON THESE MODELS
<b>ITEM NO. 7 &amp; 8: PUMP HEAD SCREWS AND WASHERS KIT (CONTAINS BOLTS AND WASHERS)</b>		
L3900400-000	1	
<b>REPLACEMENT FUSES</b>		
L9707300-000	1	E-PLUS SERIES, AND E SERIES PUMPS WITH FUSE HOLDER
L9700700-250	1	SERIES MP PUMP (CIRCUIT BREAKER)



# PVC1 WET END PARTS



The following part numbers are for pump models with liquid end code PVC1 in the model.

**EXAMPLE : LB64SA-PVC1-XXX**

Item #	Part number	Description
1	See reverse side	Head
2	See reverse side	Diaphragm
3	See reverse side	Deflection plate
5	L9901200-BRS	Shim (0-2 required)
7	See reverse side	Washers
8	See reverse side	Head bolts
9	L3101VC1-FPP	Suction valve
10	L3201VC1-FPP	Discharge Valve
11	L3300V01-FPP	Bleed Valve
12	J60524	Foot Valve/Strainer
13	41715	Injection Valve

There is a KOPkit (rebuild kit) available for your pump that includes items 1, 2, 5, 7, 8, 9, 10 and a bleed valve O-ring.

The part number for the KOPkit can be found on your pumps data label, or you can determine the KOPkit part number from your pump model number by using the fourth, seventh, eighth, ninth and tenth positions of the model string.

For example:

Model: LB64SA-PVC1-XXX

KOPKIT P/N: K4PVC1

**novatech**  
 INTERNATIONAL  
 sales@novatech-usa.com  
 www.novatech-usa.com  
 Tel: (866) 433-6682 Fax: (866) 433-6684  
 Tel: (281) 359-8538 Fax: (281) 359-0084

AC00381.001  
 11-J-04  
 1:3

Use the fourth digit in the model number from your pump to identify the part numbers below

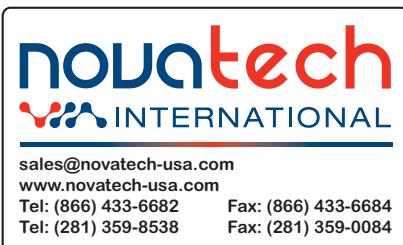
**EXAMPLE MODEL:**

Position	1, 2, 3,4, 5, 6 -7, 8, 9,10-11,12,13
Model:	L B 6 <u>4</u> S A- P V C 1- X X X

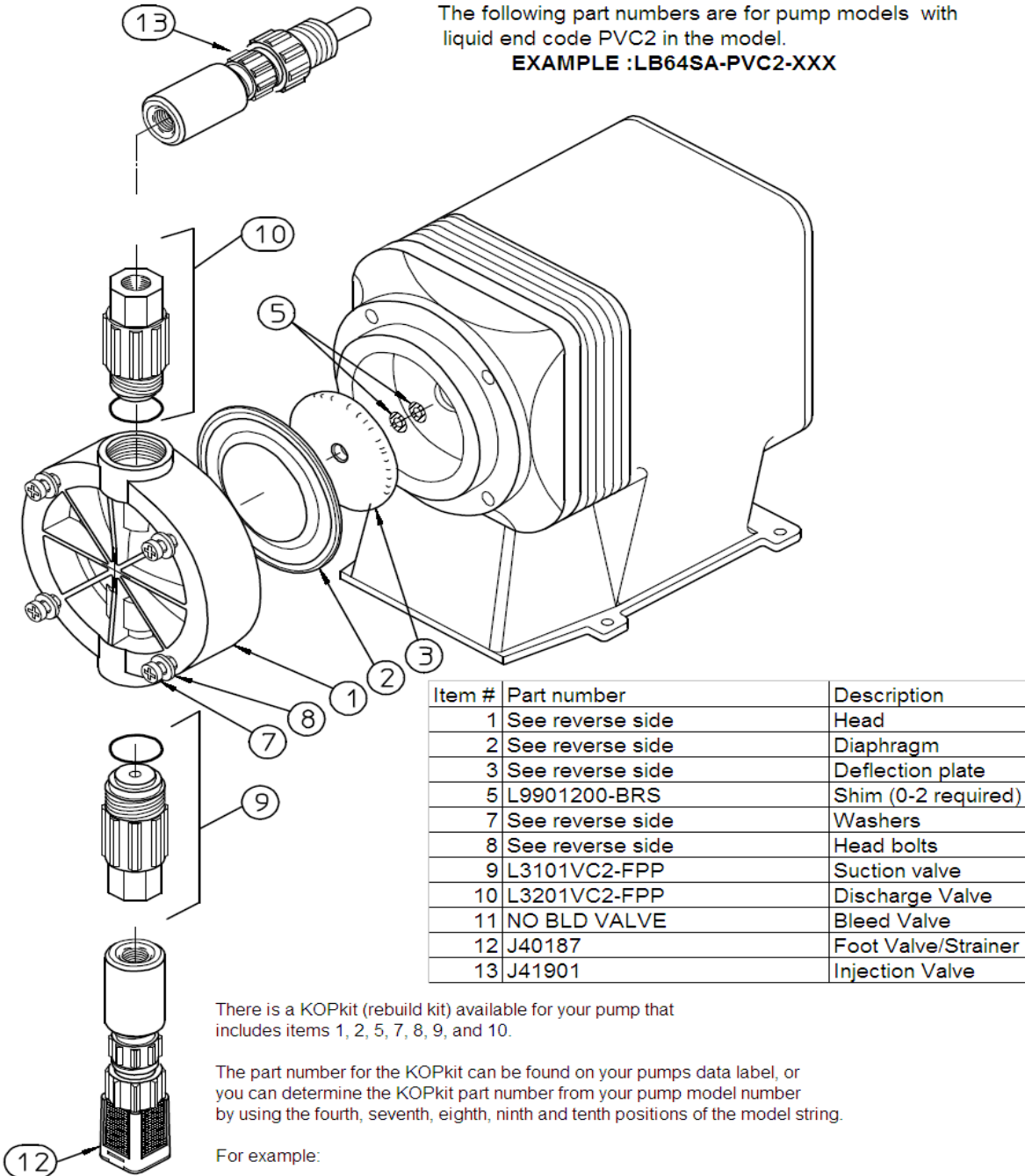
For example the pump head (ITEM #1) for this pump would be:

P/N L0200400-FPP

PART NUMBER	QTY	DESCRIPTION
<b>ITEM NO. 1: PUMP HEAD (FPP)</b>		
L0200200-FPP	1	2 IN POSITION NUMBER FOUR OF THE MODEL NUMBER
L0200300-FPP	1	3 IN POSITION NUMBER FOUR OF THE MODEL NUMBER
L0200400-FPP	1	4 IN POSITION NUMBER FOUR OF THE MODEL NUMBER
<b>ITEM NO. 2: DIAPHRAGM</b>		
L0300900-THY	1	2 IN POSITION NUMBER FOUR OF THE MODEL NUMBER
L0301000-THY	1	3 IN POSITION NUMBER FOUR OF THE MODEL NUMBER
L0301100-THY	1	4 IN POSITION NUMBER FOUR OF THE MODEL NUMBER
<b>ITEM NO. 3: DEFLECTION PLATE</b>		
L2100200-FPP	1	2 IN POSITION NUMBER FOUR OF THE MODEL NUMBER
L2100300-FPP	1	3 IN POSITION NUMBER FOUR OF THE MODEL NUMBER
L2100400-FPP	1	4 IN POSITION NUMBER FOUR OF THE MODEL NUMBER
<b>ITEM NO. 7 &amp; 8: PUMP HEAD SCREWS AND WASHERS KIT (CONTAINS BOLTS AND WASHERS)</b>		
L3900200-000	1	2,3, OR 4 IN POSITION NUMBER FOUR OF THE MODEL NUMBER
<b>REPLACEMENT FUSES</b>		
L9707300-000	1	E-PLUS SERIES, AND E SERIES PUMPS WITH FUSE HOLDER
L9711200-000	1	A -PLUS, C, C-PLUS, AND E SERIES PUMPS WITH PC BOARD MOUNTED FUSE
L9704700-000	1	SERIES E-DC PUMPS
L9700700-250	1	SERIES MP PUMP (CIRCUIT BREAKER)



# PVC2 WET END PARTS



The following part numbers are for pump models with liquid end code PVC2 in the model.  
**EXAMPLE :LB64SA-PVC2-XXX**

Item #	Part number	Description
1	See reverse side	Head
2	See reverse side	Diaphragm
3	See reverse side	Deflection plate
5	L9901200-BRS	Shim (0-2 required)
7	See reverse side	Washers
8	See reverse side	Head bolts
9	L3101VC2-FPP	Suction valve
10	L3201VC2-FPP	Discharge Valve
11	NO BLD VALVE	Bleed Valve
12	J40187	Foot Valve/Strainer
13	J41901	Injection Valve

There is a KOPkit (rebuild kit) available for your pump that includes items 1, 2, 5, 7, 8, 9, and 10.

The part number for the KOPkit can be found on your pumps data label, or you can determine the KOPkit part number from your pump model number by using the fourth, seventh, eighth, ninth and tenth positions of the model string.

For example:

Model: LB64SA-PVC2-XXX

KOPKIT P/N: K4PVC2

AC00380.001  
 J-9-04  
 1:3

Use the fourth digit in the model number from your pump to identify the part numbers below

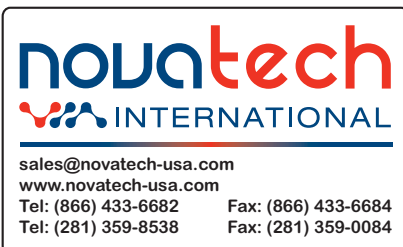
**EXAMPLE MODEL:**

Position	1, 2, 3,4, 5, 6 -7, 8, 9,10-11,12,13
Model:	L B 6 <u>4</u> S A- P V C 2- X X X

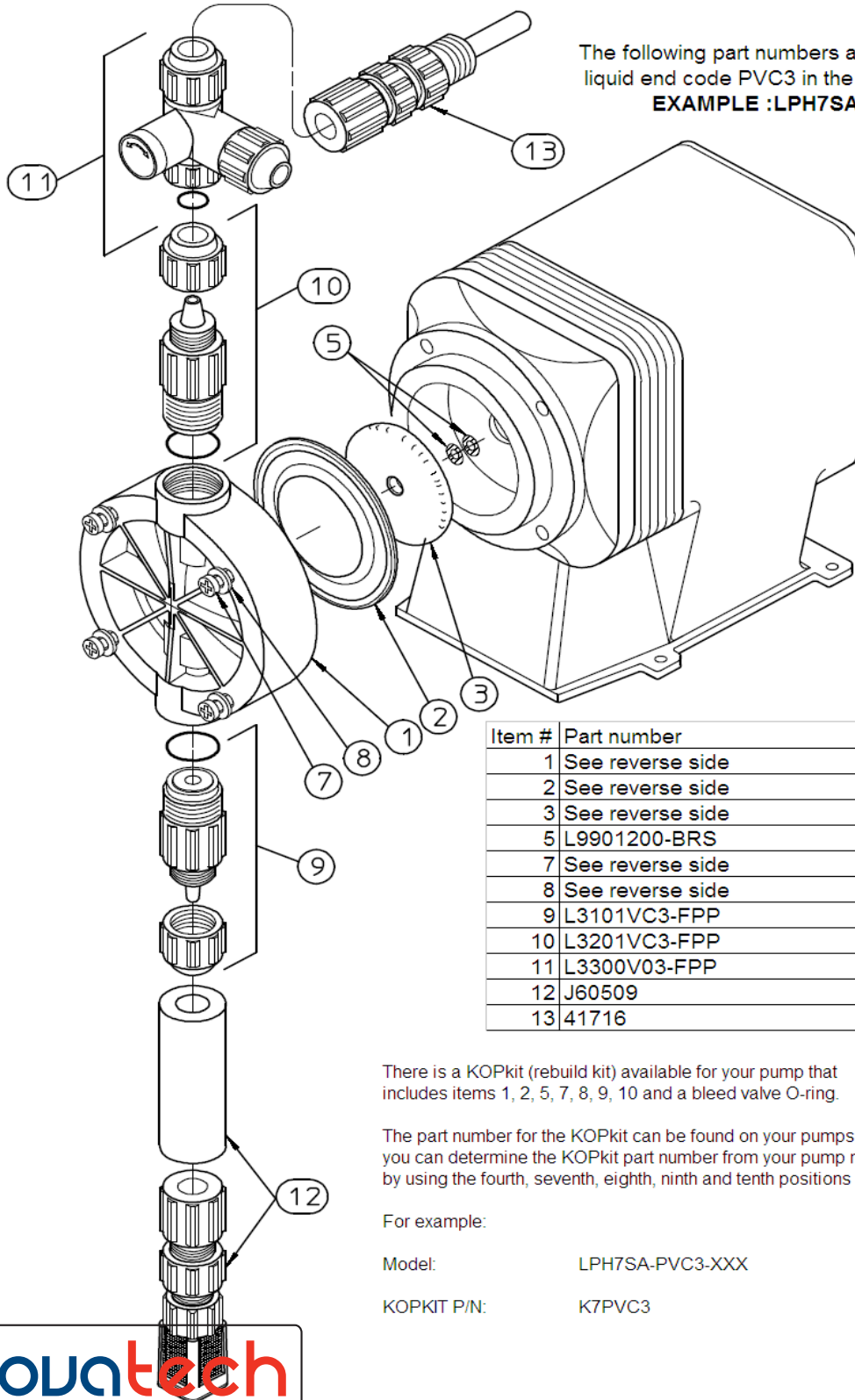
For example the pump head (ITEM #1) for this pump would be:

P/N L0200400-FPP

PART NUMBER	QTY	DESCRIPTION
<b>ITEM NO. 1: PUMP HEAD (FPP)</b>		
L0200200-FPP	1	2 IN POSITION NUMBER FOUR OF THE MODEL NUMBER
L0200300-FPP	1	3 IN POSITION NUMBER FOUR OF THE MODEL NUMBER
L0200400-FPP	1	4 IN POSITION NUMBER FOUR OF THE MODEL NUMBER
<b>ITEM NO. 2: DIAPHRAGM</b>		
L0300900-THY	1	2 IN POSITION NUMBER FOUR OF THE MODEL NUMBER
L0301000-THY	1	3 IN POSITION NUMBER FOUR OF THE MODEL NUMBER
L0301100-THY	1	4 IN POSITION NUMBER FOUR OF THE MODEL NUMBER
<b>ITEM NO. 3: DEFLECTION PLATE</b>		
L2100200-FPP	1	2 IN POSITION NUMBER FOUR OF THE MODEL NUMBER
L2100300-FPP	1	3 IN POSITION NUMBER FOUR OF THE MODEL NUMBER
L2100400-FPP	1	4 IN POSITION NUMBER FOUR OF THE MODEL NUMBER
<b>ITEM NO. 7 &amp; 8: PUMP HEAD SCREWS AND WASHERS KIT (CONTAINS BOLTS AND WASHERS)</b>		
L3900200-000	1	2,3, OR 4 IN POSITION NUMBER FOUR OF THE MODEL NUMBER
<b>REPLACEMENT FUSES</b>		
L9707300-000	1	E-PLUS SERIES, AND E SERIES PUMPS WITH FUSE HOLDER
L9711200-000	1	A -PLUS, C, C-PLUS, AND E SERIES PUMPS WITH PC BOARD MOUNTED FUSE
L9704700-000	1	SERIES E-DC PUMPS
L9700700-250	1	SERIES MP PUMP (CIRCUIT BREAKER)



# PVC3 WET END PARTS



The following part numbers are for pump models with liquid end code PVC3 in the model.

**EXAMPLE :LPH7SA-PVC3-XXX**

Item #	Part number	Description
1	See reverse side	Head
2	See reverse side	Diaphragm
3	See reverse side	Deflection plate
5	L9901200-BRS	Shim (0-2 required)
7	See reverse side	Washers
8	See reverse side	Head bolts
9	L3101VC3-FPP	Suction valve
10	L3201VC3-FPP	Discharge Valve
11	L3300V03-FPP	Bleed Valve
12	J60509	Foot Valve/Strainer
13	41716	Injection Valve

There is a KOPkit (rebuild kit) available for your pump that includes items 1, 2, 5, 7, 8, 9, 10 and a bleed valve O-ring.

The part number for the KOPkit can be found on your pumps data label, or you can determine the KOPkit part number from your pump model number by using the fourth, seventh, eighth, ninth and tenth positions of the model string.

For example:

Model: LPH7SA-PVC3-XXX

KOPKIT P/N: K7PVC3

**novatech**  
 INTERNATIONAL  
 sales@novatech-usa.com  
 www.novatech-usa.com  
 Tel: (866) 433-6682 Fax: (866) 433-6684  
 Tel: (281) 359-8538 Fax: (281) 359-0084

AC00381.001  
11-J-04  
1:3

Use the fourth digit in the model number from your pump to identify the part numbers below

**EXAMPLE MODEL:**

Position	1, 2, 3,4, 5, 6 -7, 8, 9,10-11,12,13
Model:	L P H 7 S A- P V C 3- X X X

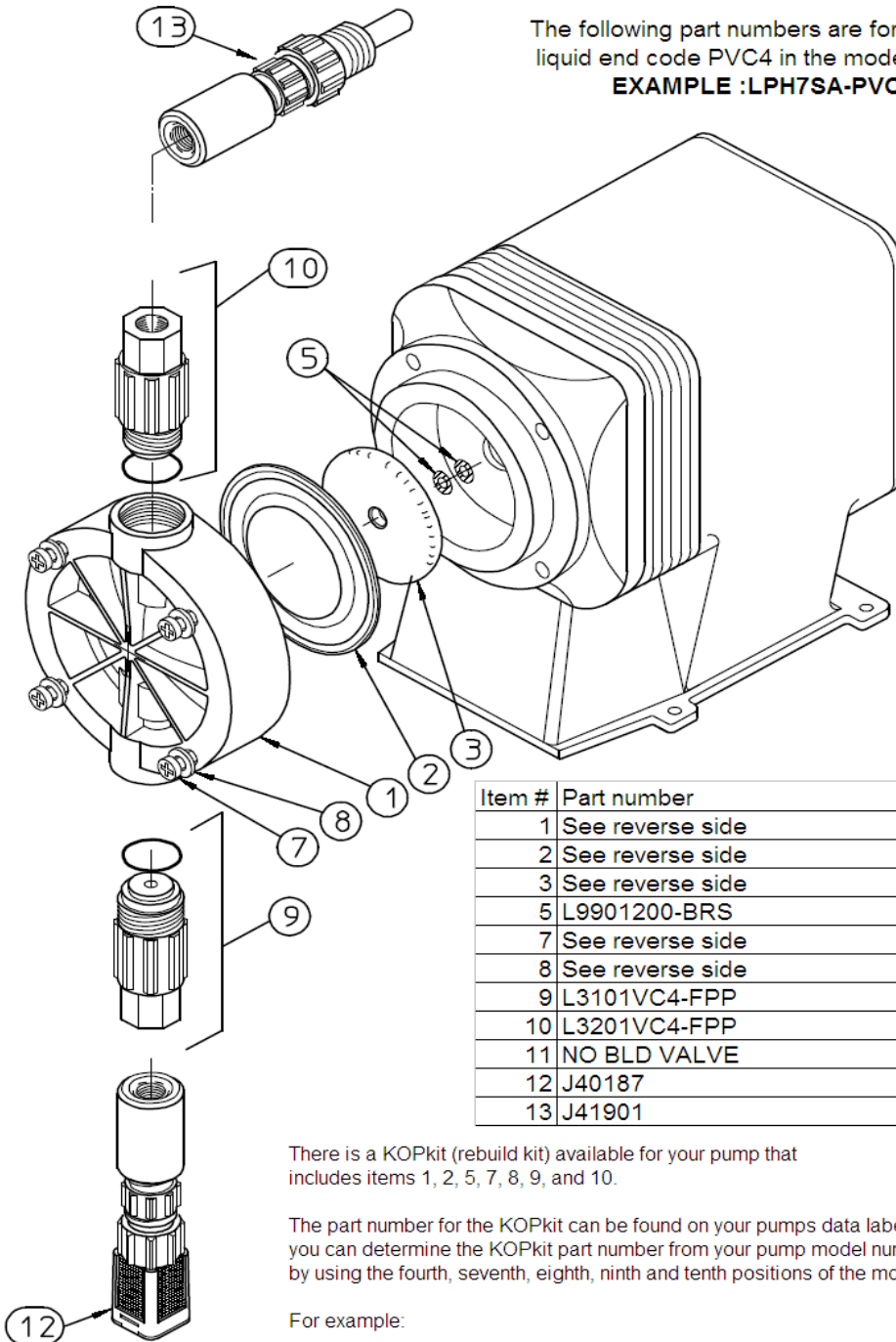
For example the pump head (ITEM #1) for this pump would be:

P/N L0200700-FPP

PART NUMBER	QTY	DESCRIPTION
<b>ITEM NO. 1: PUMP HEAD (FPP)</b>		
L0200400-FPP	1	4 IN POSITION NUMBER FOUR OF THE MODEL NUMBER
L0200500-FPP	1	5 IN POSITION NUMBER FOUR OF THE MODEL NUMBER
L0200600-FPP	1	6 IN POSITION NUMBER FOUR OF THE MODEL NUMBER
L0200700-FPP	1	7 IN POSITION NUMBER FOUR OF THE MODEL NUMBER
<b>ITEM NO. 2: DIAPHRAGM</b>		
L0301100-THY	1	4 IN POSITION NUMBER FOUR OF THE MODEL NUMBER
L0301200-THY	1	5 IN POSITION NUMBER FOUR OF THE MODEL NUMBER
L0301300-THY	1	6 IN POSITION NUMBER FOUR OF THE MODEL NUMBER
L0301400-THY	1	7 IN POSITION NUMBER FOUR OF THE MODEL NUMBER
<b>ITEM NO. 3: DEFLECTION PLATE</b>		
L2100400-FPP	1	4 IN POSITION NUMBER FOUR OF THE MODEL NUMBER
L2100500-FPP	1	5 IN POSITION NUMBER FOUR OF THE MODEL NUMBER
L2100600-FPP	1	6 IN POSITION NUMBER FOUR OF THE MODEL NUMBER
L2100700-FPP	1	7 IN POSITION NUMBER FOUR OF THE MODEL NUMBER
<b>ITEM NO. 7 &amp; 8: PUMP HEAD SCREWS AND WASHERS KIT (CONTAINS BOLTS AND WASHERS)</b>		
L3900200-000	1	2,3, OR 4 IN POSITION NUMBER FOUR OF THE MODEL NUMBER
L3900300-000	1	5, 6 OR 7 IN POSITION NUMBER FOUR OF THE MODEL NUMBER
<b>REPLACEMENT FUSES</b>		
L9707300-000	1	E-PLUS SERIES, AND E SERIES PUMPS WITH FUSE HOLDER
L9711200-000	1	A -PLUS, C, C-PLUS, AND E SERIES PUMPS WITH PC BOARD MOUNTED FUSE
L9704700-000	1	SERIES E-DC PUMPS
L9700700-250	1	SERIES MP PUMP (CIRCUIT BREAKER)



# PVC4 WET END PARTS



The following part numbers are for pump models with liquid end code PVC4 in the model.

**EXAMPLE : LPH7SA-PVC4-XXX**

Item #	Part number	Description
1	See reverse side	Head
2	See reverse side	Diaphragm
3	See reverse side	Deflection plate
5	L9901200-BRS	Shim (0-2 required)
7	See reverse side	Washers
8	See reverse side	Head bolts
9	L3101VC4-FPP	Suction valve
10	L3201VC4-FPP	Discharge Valve
11	NO BLD VALVE	Bleed Valve
12	J40187	Foot Valve/Strainer
13	J41901	Injection Valve

There is a KOPkit (rebuild kit) available for your pump that includes items 1, 2, 5, 7, 8, 9, and 10.

The part number for the KOPkit can be found on your pumps data label, or you can determine the KOPkit part number from your pump model number by using the fourth, seventh, eighth, ninth and tenth positions of the model string.

For example:

Model: LPH7SA-PVC4-XXX

KOPKIT P/N: K7PVC4

AC00380.001  
J-9-04  
1:3

**novatech**  
INTERNATIONAL

sales@novatech-usa.com  
www.novatech-usa.com  
Tel: (866) 433-6682 Fax: (866) 433-6684  
Tel: (281) 359-8538 Fax: (281) 359-0084

Use the fourth digit in the model number from your pump to identify the part numbers below

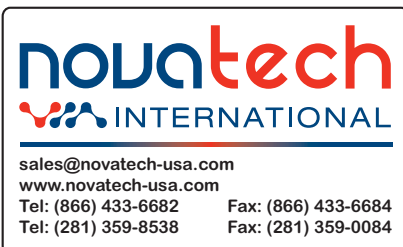
**EXAMPLE MODEL:**

Position	1, 2, 3,4, 5, 6 -7, 8, 9,10-11,12,13
Model:	L P H 7 S A- P V C 4- X X X

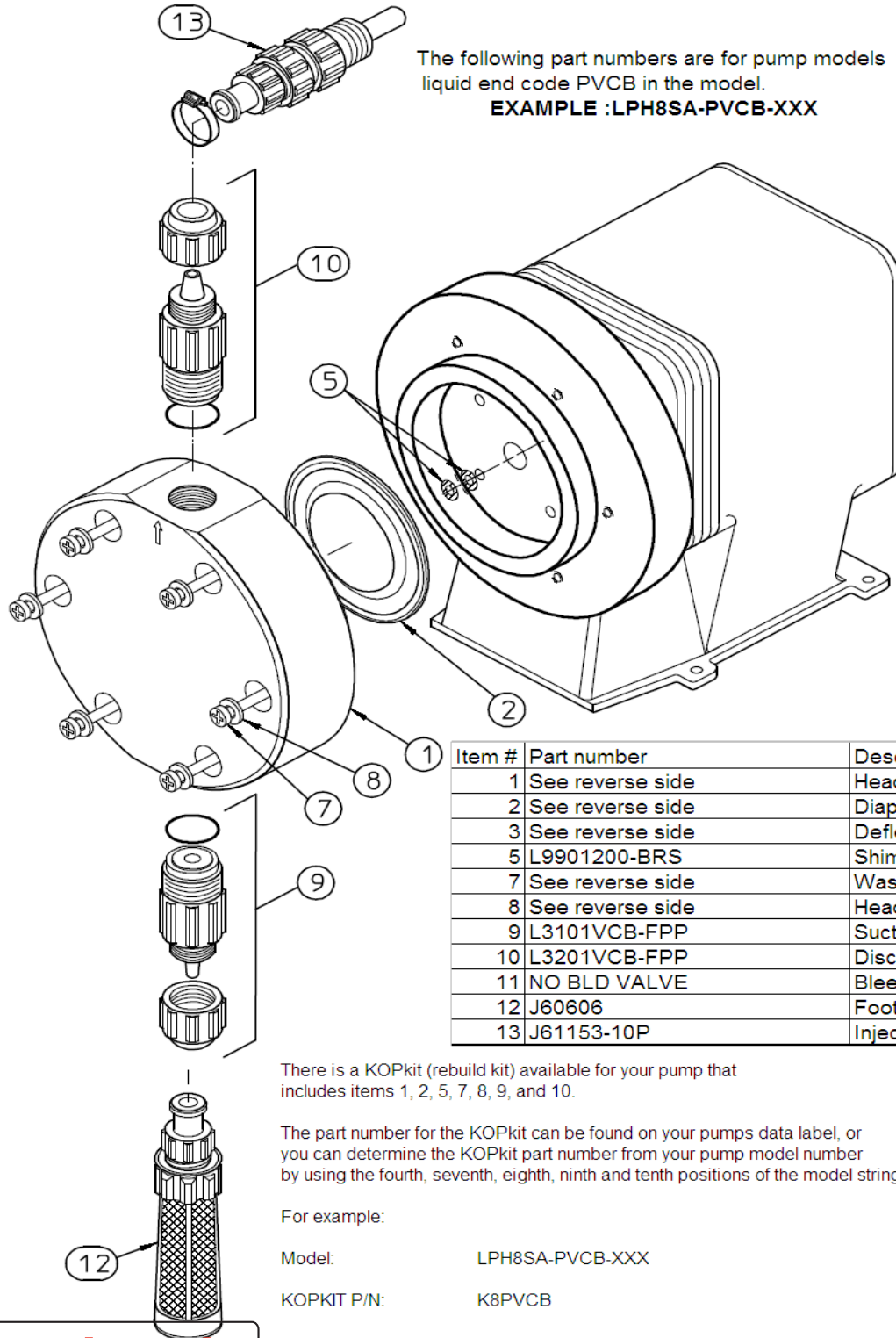
For example the pump head (ITEM #1) for this pump would be:

P/N L0200700-FPP

PART NUMBER	QTY	DESCRIPTION
<b>ITEM NO. 1: PUMP HEAD (FPP)</b>		
L0200400-FPP	1	4 IN POSITION NUMBER FOUR OF THE MODEL NUMBER
L0200500-FPP	1	5 IN POSITION NUMBER FOUR OF THE MODEL NUMBER
L0200600-FPP	1	6 IN POSITION NUMBER FOUR OF THE MODEL NUMBER
L0200700-FPP	1	7 IN POSITION NUMBER FOUR OF THE MODEL NUMBER
<b>ITEM NO. 2: DIAPHRAGM</b>		
L0301100-THY	1	4 IN POSITION NUMBER FOUR OF THE MODEL NUMBER
L0301200-THY	1	5 IN POSITION NUMBER FOUR OF THE MODEL NUMBER
L0301300-THY	1	6 IN POSITION NUMBER FOUR OF THE MODEL NUMBER
L0301400-THY	1	7 IN POSITION NUMBER FOUR OF THE MODEL NUMBER
<b>ITEM NO. 3: DEFLECTION PLATE</b>		
L2100400-FPP	1	4 IN POSITION NUMBER FOUR OF THE MODEL NUMBER
L2100500-FPP	1	5 IN POSITION NUMBER FOUR OF THE MODEL NUMBER
L2100600-FPP	1	6 IN POSITION NUMBER FOUR OF THE MODEL NUMBER
L2100700-FPP	1	7 IN POSITION NUMBER FOUR OF THE MODEL NUMBER
<b>ITEM NO. 7 &amp; 8: PUMP HEAD SCREWS AND WASHERS KIT (CONTAINS BOLTS AND WASHERS)</b>		
L3900200-000	1	2,3, OR 4 IN POSITION NUMBER FOUR OF THE MODEL NUMBER
L3900300-000	1	5, 6 OR 7 IN POSITION NUMBER FOUR OF THE MODEL NUMBER
<b>REPLACEMENT FUSES</b>		
L9707300-000	1	E-PLUS SERIES, AND E SERIES PUMPS WITH FUSE HOLDER
L9711200-000	1	A -PLUS, C, C-PLUS, AND E SERIES PUMPS WITH PC BOARD MOUNTED FUSE
L9704700-000	1	SERIES E-DC PUMPS
L9700700-250	1	SERIES MP PUMP (CIRCUIT BREAKER)



# PVCB WET END PARTS



The following part numbers are for pump models with liquid end code PVCB in the model.

**EXAMPLE :LPH8SA-PVCB-XXX**

Item #	Part number	Description
1	See reverse side	Head
2	See reverse side	Diaphragm
3	See reverse side	Deflection plate
5	L9901200-BRS	Shim (0-2 required)
7	See reverse side	Washers
8	See reverse side	Head bolts
9	L3101VCB-FPP	Suction valve
10	L3201VCB-FPP	Discharge Valve
11	NO BLD VALVE	Bleed Valve
12	J60606	Foot Valve/Strainer
13	J61153-10P	Injection Valve

There is a KOPkit (rebuild kit) available for your pump that includes items 1, 2, 5, 7, 8, 9, and 10.

The part number for the KOPkit can be found on your pumps data label, or you can determine the KOPkit part number from your pump model number by using the fourth, seventh, eighth, ninth and tenth positions of the model string.

For example:

Model: LPH8SA-PVCB-XXX

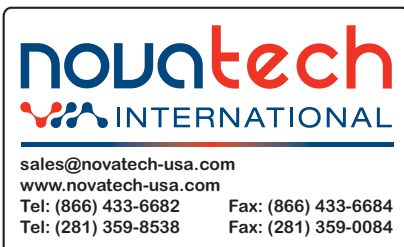
KOPKIT P/N: K8PVCB

AC00382.001  
27-J-04  
1:3

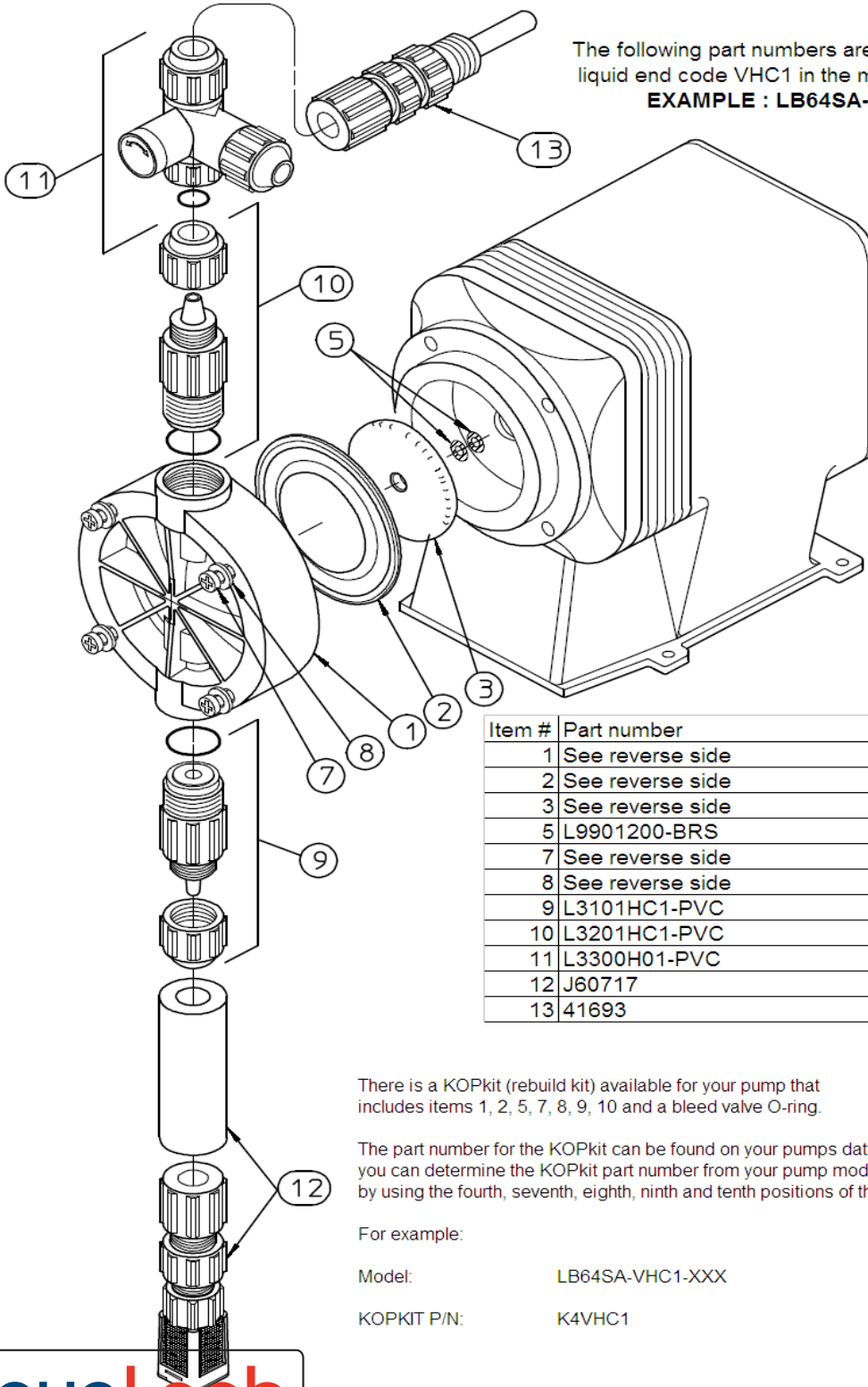


sales@novatech-usa.com  
www.novatech-usa.com  
Tel: (866) 433-6682 Fax: (866) 433-6684  
Tel: (281) 359-8538 Fax: (281) 359-0084

PART NUMBER	QTY	DESCRIPTION
<b>ITEM NO. 1: PUMP HEAD (PPL)</b>		
L0200800-PPL	1	
<b>ITEM NO. 2: DIAPHRAGM</b>		
L0301600-THY	1	
<b>ITEM NO. 3: DEFLECTION PLATE</b>		
	0	NOT USED ON THESE MODELS
<b>ITEM NO. 7 &amp; 8: PUMP HEAD SCREWS AND WASHERS KIT (CONTAINS BOLTS AND WASHERS)</b>		
L3900400-000	1	
<b>REPLACEMENT FUSES</b>		
L9707300-000	1	E-PLUS SERIES, AND E SERIES PUMPS WITH FUSE HOLDER
L9700700-250	1	SERIES MP PUMP (CIRCUIT BREAKER)



# VHC1 WET END PARTS



The following part numbers are for pump models with liquid end code VHC1 in the model.

**EXAMPLE : LB64SA-VHC1-XXX**

Item #	Part number	Description
1	See reverse side	Head
2	See reverse side	Diaphragm
3	See reverse side	Deflection plate
5	L9901200-BRS	Shim (0-2 required)
7	See reverse side	Washers
8	See reverse side	Head bolts
9	L3101HC1-PVC	Suction valve
10	L3201HC1-PVC	Discharge Valve
11	L3300H01-PVC	Bleed Valve
12	J60717	Foot Valve/Strainer
13	41693	Injection Valve

There is a KOPkit (rebuild kit) available for your pump that includes items 1, 2, 5, 7, 8, 9, 10 and a bleed valve O-ring.

The part number for the KOPkit can be found on your pumps data label, or you can determine the KOPkit part number from your pump model number by using the fourth, seventh, eighth, ninth and tenth positions of the model string.

For example:

Model: LB64SA-VHC1-XXX

KOPKIT P/N: K4VHC1

AC00381.001  
11-J-04  
1:3



sales@novatech-usa.com  
www.novatech-usa.com  
Tel: (866) 433-6682 Fax: (866) 433-6684  
Tel: (281) 359-8538 Fax: (281) 359-0084

Use the fourth digit in the model number from your pump to identify the part numbers below

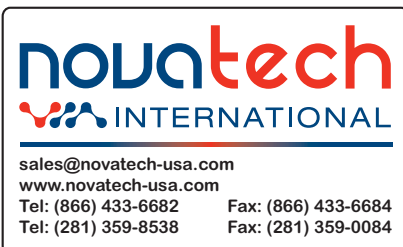
**EXAMPLE MODEL:**

Position	1, 2, 3,4, 5, 6 -7, 8, 9,10-11,12,13
Model:	L B 6 <u>4</u> S A- V H C 1- X X X

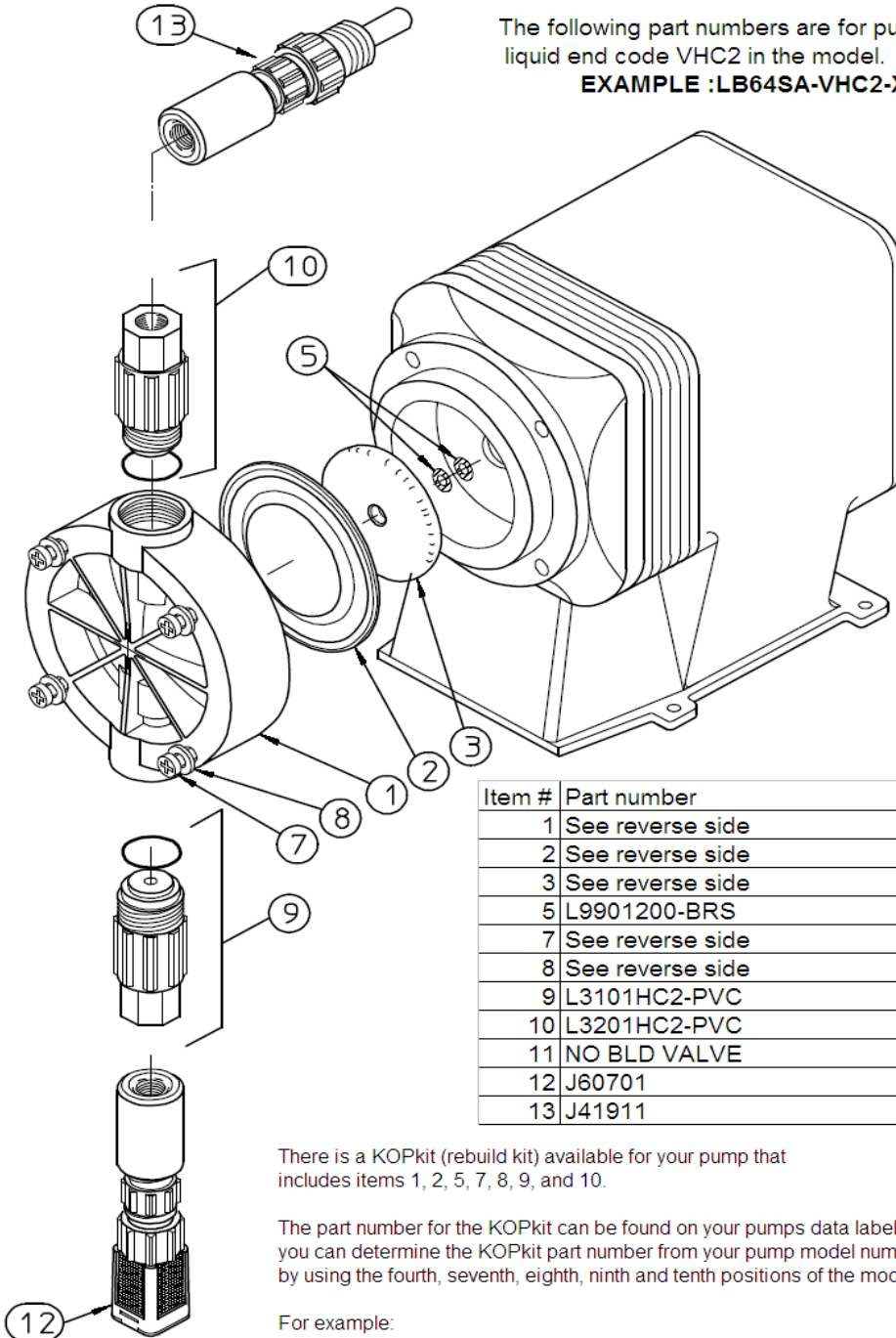
For example the pump head (ITEM #1) for this pump would be:

P/N L0200400-PVC

PART NUMBER	QTY	DESCRIPTION
<b>ITEM NO. 1: PUMP HEAD (PVC)</b>		
L0200900-PVC	1	2 IN POSITION NUMBER FOUR OF THE MODEL NUMBER
L0200300-PVC	1	3 IN POSITION NUMBER FOUR OF THE MODEL NUMBER
L0200400-PVC	1	4 IN POSITION NUMBER FOUR OF THE MODEL NUMBER
<b>ITEM NO. 2: DIAPHRAGM</b>		
L0300900-THY	1	2 IN POSITION NUMBER FOUR OF THE MODEL NUMBER
L0301000-THY	1	3 IN POSITION NUMBER FOUR OF THE MODEL NUMBER
L0301100-THY	1	4 IN POSITION NUMBER FOUR OF THE MODEL NUMBER
<b>ITEM NO. 3: DEFLECTION PLATE</b>		
L2100200-FPP	1	2 IN POSITION NUMBER FOUR OF THE MODEL NUMBER
L2100300-FPP	1	3 IN POSITION NUMBER FOUR OF THE MODEL NUMBER
L2100400-FPP	1	4 IN POSITION NUMBER FOUR OF THE MODEL NUMBER
<b>ITEM NO. 7 &amp; 8: PUMP HEAD SCREWS AND WASHERS KIT (CONTAINS BOLTS AND WASHERS)</b>		
L3900200-000	1	2,3, OR 4 IN POSITION NUMBER FOUR OF THE MODEL NUMBER
<b>REPLACEMENT FUSES</b>		
L9707300-000	1	E-PLUS SERIES, AND E SERIES PUMPS WITH FUSE HOLDER
L9711200-000	1	A -PLUS, C, C-PLUS, AND E SERIES PUMPS WITH PC BOARD MOUNTED FUSE
L9704700-000	1	SERIES E-DC PUMPS
L9700700-250	1	SERIES MP PUMP (CIRCUIT BREAKER)



# VHC2 WET END PARTS



The following part numbers are for pump models with liquid end code VHC2 in the model.

**EXAMPLE :LB64SA-VHC2-XXX**

Item #	Part number	Description
1	See reverse side	Head
2	See reverse side	Diaphragm
3	See reverse side	Deflection plate
5	L9901200-BRS	Shim (0-2 required)
7	See reverse side	Washers
8	See reverse side	Head bolts
9	L3101HC2-PVC	Suction valve
10	L3201HC2-PVC	Discharge Valve
11	NO BLD VALVE	Bleed Valve
12	J60701	Foot Valve/Strainer
13	J41911	Injection Valve

There is a KOPkit (rebuild kit) available for your pump that includes items 1, 2, 5, 7, 8, 9, and 10.

The part number for the KOPkit can be found on your pumps data label, or you can determine the KOPkit part number from your pump model number by using the fourth, seventh, eighth, ninth and tenth positions of the model string.

For example:

Model: LB64SA-VHC2-XXX

KOPKIT P/N: K4VHC2

AC00380.001  
J-9-04  
1:3

**novatech**  
INTERNATIONAL

sales@novatech-usa.com  
www.novatech-usa.com  
Tel: (866) 433-6682 Fax: (866) 433-6684  
Tel: (281) 359-8538 Fax: (281) 359-0084

Use the fourth digit in the model number from your pump to identify the part numbers below

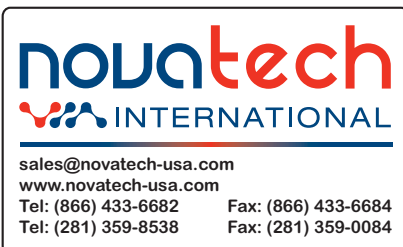
**EXAMPLE MODEL:**

Position	1, 2, 3,4, 5, 6 -7, 8, 9,10-11,12,13
Model:	L B 6 <u>4</u> S A- V H C 2- X X X

For example the pump head (ITEM #1) for this pump would be:

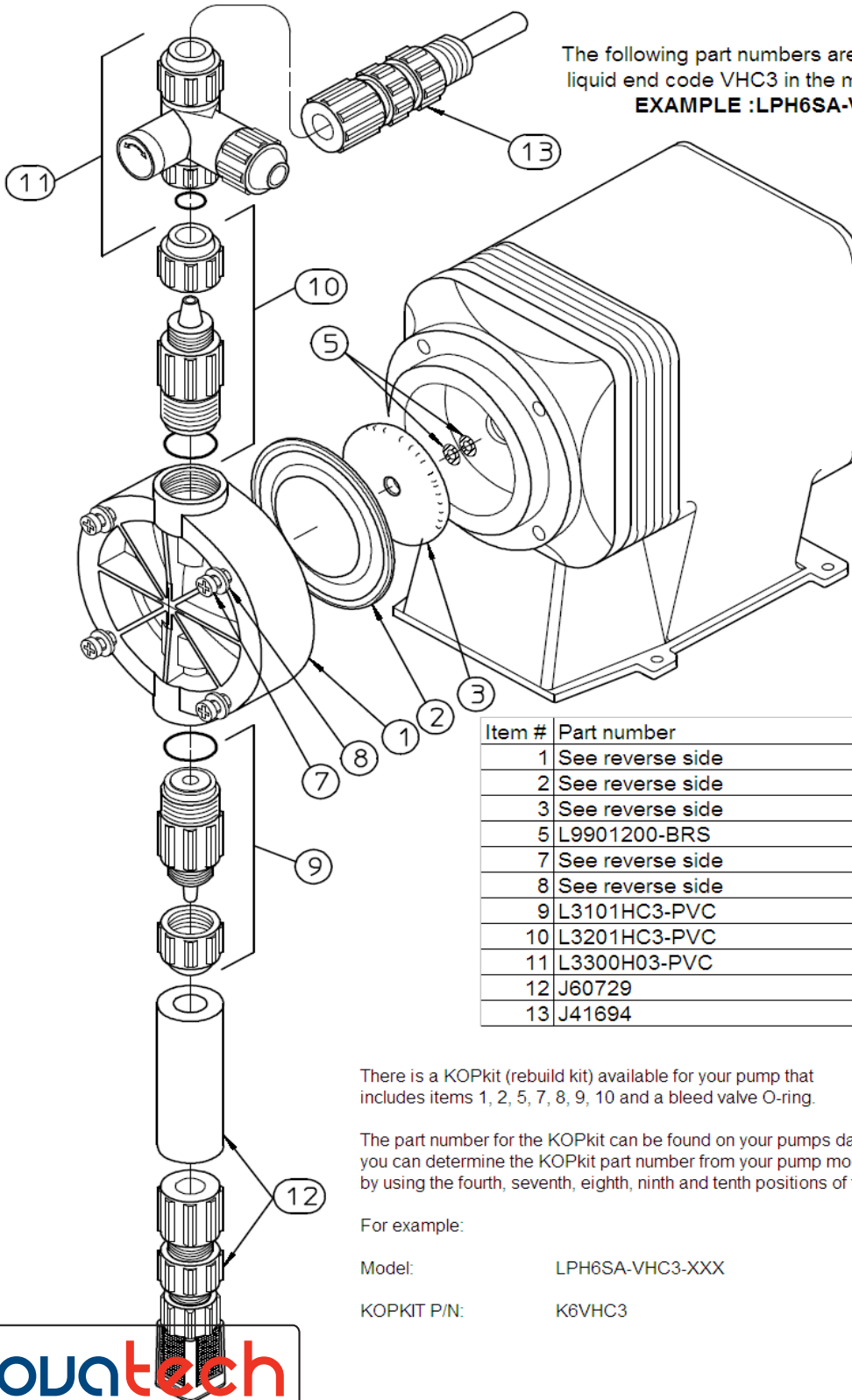
P/N L0200400-PVC

PART NUMBER	QTY	DESCRIPTION
<b>ITEM NO. 1: PUMP HEAD (PVC)</b>		
L0200900-PVC	1	2 IN POSITION NUMBER FOUR OF THE MODEL NUMBER
L0200300-PVC	1	3 IN POSITION NUMBER FOUR OF THE MODEL NUMBER
L0200400-PVC	1	4 IN POSITION NUMBER FOUR OF THE MODEL NUMBER
<b>ITEM NO. 2: DIAPHRAGM</b>		
L0300900-THY	1	2 IN POSITION NUMBER FOUR OF THE MODEL NUMBER
L0301000-THY	1	3 IN POSITION NUMBER FOUR OF THE MODEL NUMBER
L0301100-THY	1	4 IN POSITION NUMBER FOUR OF THE MODEL NUMBER
<b>ITEM NO. 3: DEFLECTION PLATE</b>		
L2100200-FPP	1	2 IN POSITION NUMBER FOUR OF THE MODEL NUMBER
L2100300-FPP	1	3 IN POSITION NUMBER FOUR OF THE MODEL NUMBER
L2100400-FPP	1	4 IN POSITION NUMBER FOUR OF THE MODEL NUMBER
<b>ITEM NO. 7 &amp; 8: PUMP HEAD SCREWS AND WASHERS KIT (CONTAINS BOLTS AND WASHERS)</b>		
L3900200-000	1	2,3, OR 4 IN POSITION NUMBER FOUR OF THE MODEL NUMBER
<b>REPLACEMENT FUSES</b>		
L9707300-000	1	E-PLUS SERIES, AND E SERIES PUMPS WITH FUSE HOLDER
L9711200-000	1	A -PLUS, C, C-PLUS, AND E SERIES PUMPS WITH PC BOARD MOUNTED FUSE
L9704700-000	1	SERIES E-DC PUMPS
L9700700-250	1	SERIES MP PUMP (CIRCUIT BREAKER)





# VHC3 WET END PARTS



The following part numbers are for pump models with liquid end code VHC3 in the model.

**EXAMPLE :LPH6SA-VHC3-XXX**

Item #	Part number	Description
1	See reverse side	Head
2	See reverse side	Diaphragm
3	See reverse side	Deflection plate
5	L9901200-BRS	Shim (0-2 required)
7	See reverse side	Washers
8	See reverse side	Head bolts
9	L3101HC3-PVC	Suction valve
10	L3201HC3-PVC	Discharge Valve
11	L3300H03-PVC	Bleed Valve
12	J60729	Foot Valve/Strainer
13	J41694	Injection Valve

There is a KOPkit (rebuild kit) available for your pump that includes items 1, 2, 5, 7, 8, 9, 10 and a bleed valve O-ring.

The part number for the KOPkit can be found on your pumps data label, or you can determine the KOPkit part number from your pump model number by using the fourth, seventh, eighth, ninth and tenth positions of the model string.

For example:

Model: LPH6SA-VHC3-XXX

KOPKIT P/N: K6VHC3



sales@novatech-usa.com  
www.novatech-usa.com  
Tel: (866) 433-6682 Fax: (866) 433-6684  
Tel: (281) 359-8538 Fax: (281) 359-0084

AC00381.001  
11-J-04  
1:3

Use the fourth digit in the model number from your pump to identify the part numbers below

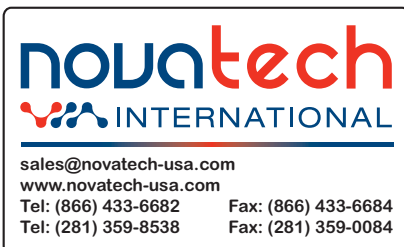
**EXAMPLE MODEL:**

Position	1, 2, 3,4, 5, 6 -7, 8, 9,10-11,12,13
Model:	L P H 6 S A- V H C 3- X X X

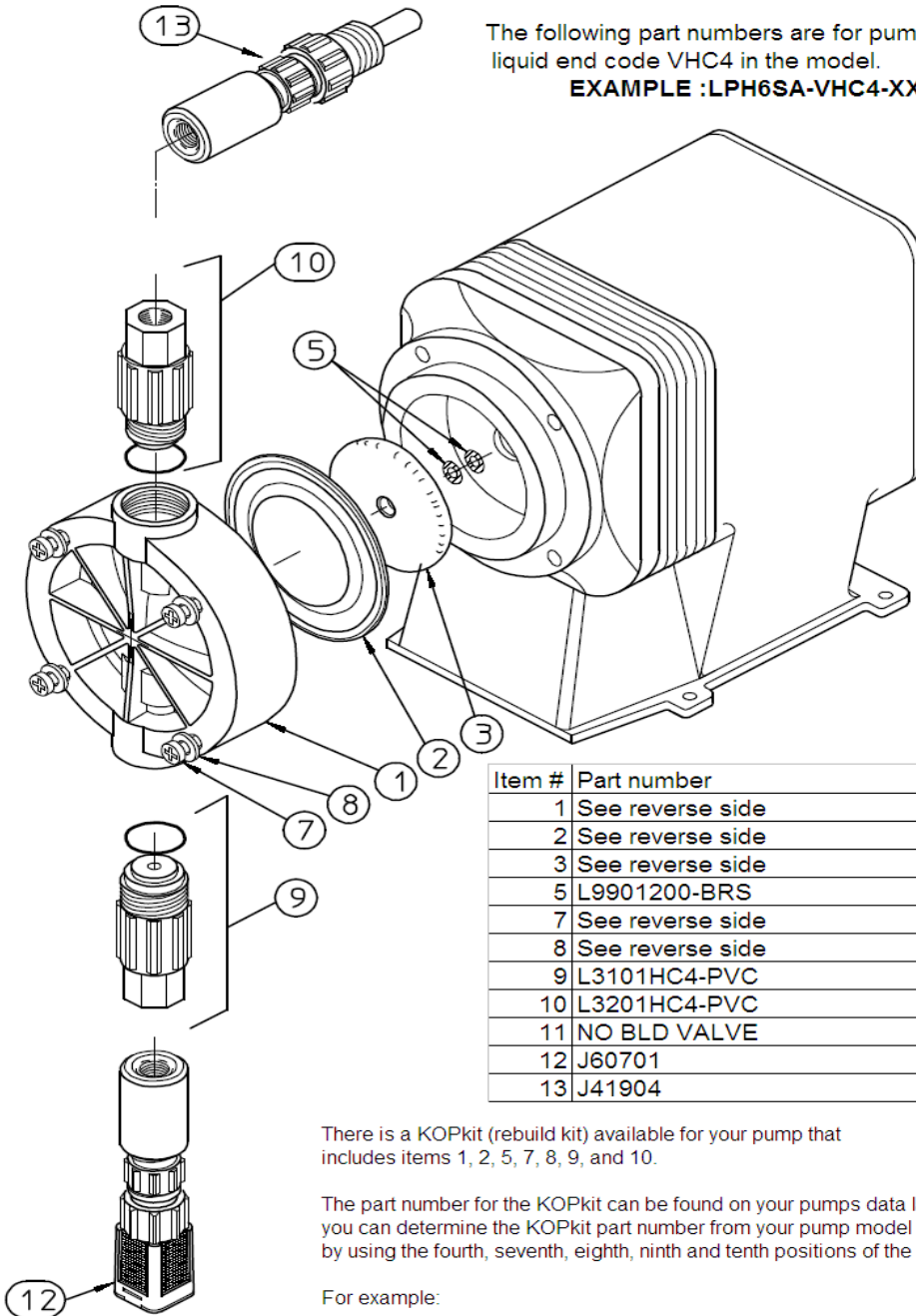
For example the pump head (ITEM #1) for this pump would be:

P/N L0200600-PVC

PART NUMBER	QTY	DESCRIPTION
<b>ITEM NO. 1: PUMP HEAD (PVC)</b>		
L0200400-PVC	1	4 IN POSITION NUMBER FOUR OF THE MODEL NUMBER
L0200500-PVC	1	5 IN POSITION NUMBER FOUR OF THE MODEL NUMBER
L0200600-PVC	1	6 IN POSITION NUMBER FOUR OF THE MODEL NUMBER
<b>ITEM NO. 2: DIAPHRAGM</b>		
L0301100-THY	1	4 IN POSITION NUMBER FOUR OF THE MODEL NUMBER
L0301200-THY	1	5 IN POSITION NUMBER FOUR OF THE MODEL NUMBER
L0301300-THY	1	6 IN POSITION NUMBER FOUR OF THE MODEL NUMBER
<b>ITEM NO. 3: DEFLECTION PLATE</b>		
L2100400-FPP	1	4 IN POSITION NUMBER FOUR OF THE MODEL NUMBER
L2100500-FPP	1	5 IN POSITION NUMBER FOUR OF THE MODEL NUMBER
L2100600-FPP	1	6 IN POSITION NUMBER FOUR OF THE MODEL NUMBER
<b>ITEM NO. 7 &amp; 8: PUMP HEAD SCREWS AND WASHERS KIT (CONTAINS BOLTS AND WASHERS)</b>		
L3900200-000	1	2,3, OR 4 IN POSITION NUMBER FOUR OF THE MODEL NUMBER
L3900300-000	1	5, 6 OR 7 IN POSITION NUMBER FOUR OF THE MODEL NUMBER
<b>REPLACEMENT FUSES</b>		
L9707300-000	1	E-PLUS SERIES, AND E SERIES PUMPS WITH FUSE HOLDER
L9711200-000	1	A -PLUS, C, C-PLUS, AND E SERIES PUMPS WITH PC BOARD MOUNTED FUSE
L9704700-000	1	SERIES E-DC PUMPS
L9700700-250	1	SERIES MP PUMP (CIRCUIT BREAKER)



# VHC4 WET END PARTS



The following part numbers are for pump models with liquid end code VHC4 in the model.

**EXAMPLE :LPH6SA-VHC4-XXX**

Item #	Part number	Description
1	See reverse side	Head
2	See reverse side	Diaphragm
3	See reverse side	Deflection plate
5	L9901200-BRS	Shim (0-2 required)
7	See reverse side	Washers
8	See reverse side	Head bolts
9	L3101HC4-PVC	Suction valve
10	L3201HC4-PVC	Discharge Valve
11	NO BLD VALVE	Bleed Valve
12	J60701	Foot Valve/Strainer
13	J41904	Injection Valve

There is a KOPkit (rebuild kit) available for your pump that includes items 1, 2, 5, 7, 8, 9, and 10.

The part number for the KOPkit can be found on your pumps data label, or you can determine the KOPkit part number from your pump model number by using the fourth, seventh, eighth, ninth and tenth positions of the model string.

For example:

Model: LPH6SA-VHC4-XXX

KOPKIT P/N: K6VHC4

AC00380.001  
J-9-04  
1:3

**novatech**  
INTERNATIONAL

sales@novatech-usa.com  
www.novatech-usa.com  
Tel: (866) 433-6682 Fax: (866) 433-6684  
Tel: (281) 359-8538 Fax: (281) 359-0084

Use the fourth digit in the model number from your pump to identify the part numbers below

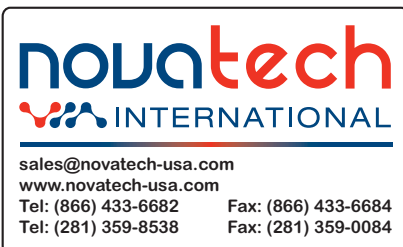
**EXAMPLE MODEL:**

Position	1, 2, 3,4, 5, 6 -7, 8, 9,10-11,12,13
Model:	L P H 6 S A- V H C 4- X X X

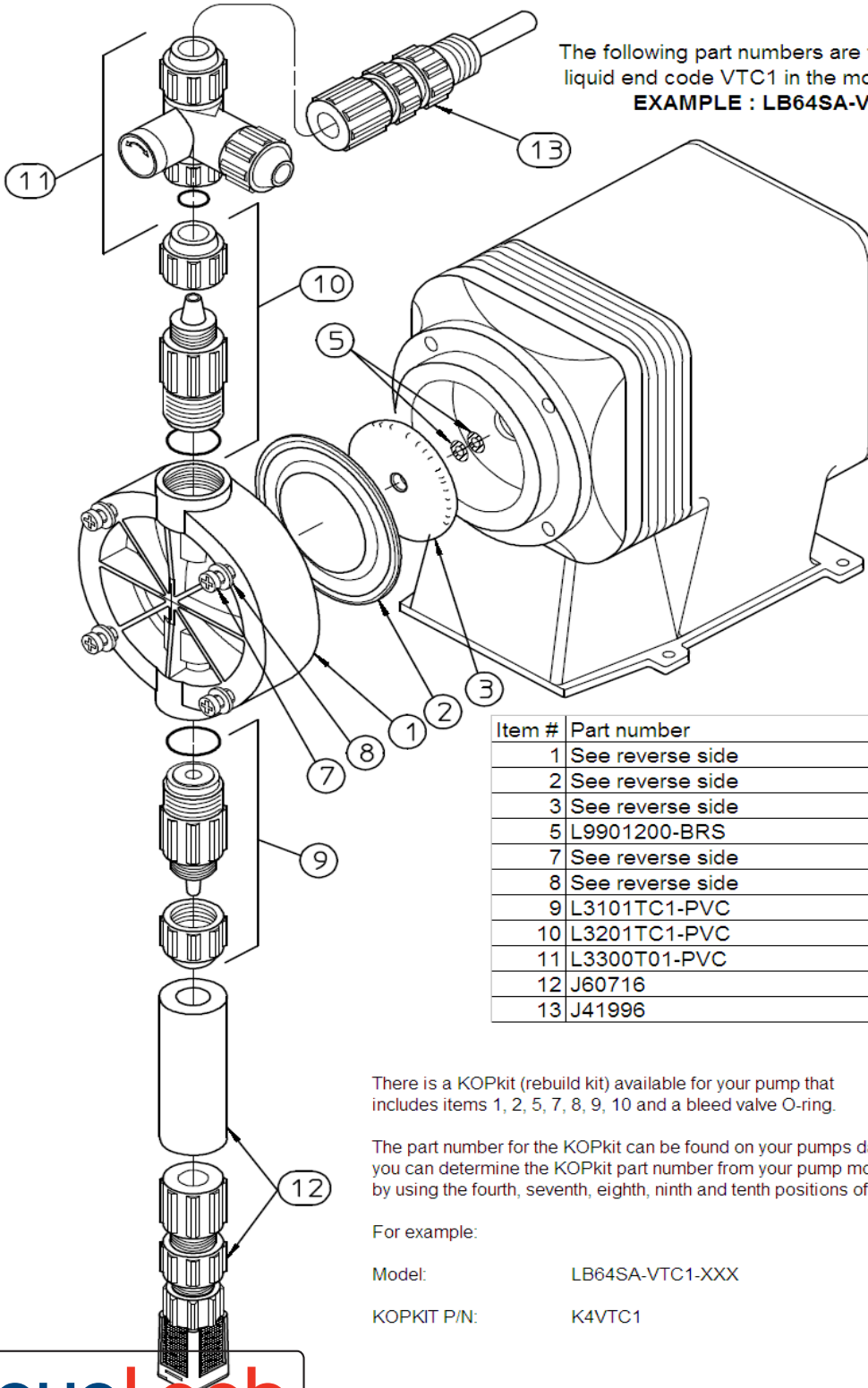
For example the pump head (ITEM #1) for this pump would be:

P/N L0200600-PVC

PART NUMBER	QTY	DESCRIPTION
<b>ITEM NO. 1: PUMP HEAD (PVC)</b>		
L0200400-PVC	1	4 IN POSITION NUMBER FOUR OF THE MODEL NUMBER
L0200500-PVC	1	5 IN POSITION NUMBER FOUR OF THE MODEL NUMBER
L0200600-PVC	1	6 IN POSITION NUMBER FOUR OF THE MODEL NUMBER
<b>ITEM NO. 2: DIAPHRAGM</b>		
L0301100-THY	1	4 IN POSITION NUMBER FOUR OF THE MODEL NUMBER
L0301200-THY	1	5 IN POSITION NUMBER FOUR OF THE MODEL NUMBER
L0301300-THY	1	6 IN POSITION NUMBER FOUR OF THE MODEL NUMBER
<b>ITEM NO. 3: DEFLECTION PLATE</b>		
L2100400-FPP	1	4 IN POSITION NUMBER FOUR OF THE MODEL NUMBER
L2100500-FPP	1	5 IN POSITION NUMBER FOUR OF THE MODEL NUMBER
L2100600-FPP	1	6 IN POSITION NUMBER FOUR OF THE MODEL NUMBER
<b>ITEM NO. 7 &amp; 8: PUMP HEAD SCREWS AND WASHERS KIT (CONTAINS BOLTS AND WASHERS)</b>		
L3900200-000	1	2,3, OR 4 IN POSITION NUMBER FOUR OF THE MODEL NUMBER
L3900300-000	1	5, 6 OR 7 IN POSITION NUMBER FOUR OF THE MODEL NUMBER
<b>REPLACEMENT FUSES</b>		
L9707300-000	1	E-PLUS SERIES, AND E SERIES PUMPS WITH FUSE HOLDER
L9711200-000	1	A -PLUS, C, C-PLUS, AND E SERIES PUMPS WITH PC BOARD MOUNTED FUSE
L9704700-000	1	SERIES E-DC PUMPS
L9700700-250	1	SERIES MP PUMP (CIRCUIT BREAKER)



# VTC1 WET END PARTS



The following part numbers are for pump models with liquid end code VTC1 in the model.

**EXAMPLE : LB64SA-VTC1-XXX**

Item #	Part number	Description
1	See reverse side	Head
2	See reverse side	Diaphragm
3	See reverse side	Deflection plate
5	L9901200-BRS	Shim (0-2 required)
7	See reverse side	Washers
8	See reverse side	Head bolts
9	L3101TC1-PVC	Suction valve
10	L3201TC1-PVC	Discharge Valve
11	L3300T01-PVC	Bleed Valve
12	J60716	Foot Valve/Strainer
13	J41996	Injection Valve

There is a KOPkit (rebuild kit) available for your pump that includes items 1, 2, 5, 7, 8, 9, 10 and a bleed valve O-ring.

The part number for the KOPkit can be found on your pumps data label, or you can determine the KOPkit part number from your pump model number by using the fourth, seventh, eighth, ninth and tenth positions of the model string.

For example:

Model: LB64SA-VTC1-XXX

KOPKIT P/N: K4VTC1

AC00381.001  
11-J-04  
1:3



sales@novatech-usa.com  
www.novatech-usa.com  
Tel: (866) 433-6682 Fax: (866) 433-6684  
Tel: (281) 359-8538 Fax: (281) 359-0084

Use the fourth digit in the model number from your pump to identify the part numbers below

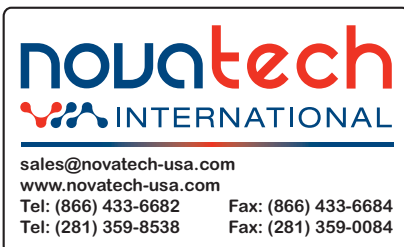
**EXAMPLE MODEL:**

Position	1, 2, 3,4, 5, 6 -7, 8, 9,10-11,12,13
Model:	L B 6 <u>4</u> S A- V T C 1- X X X

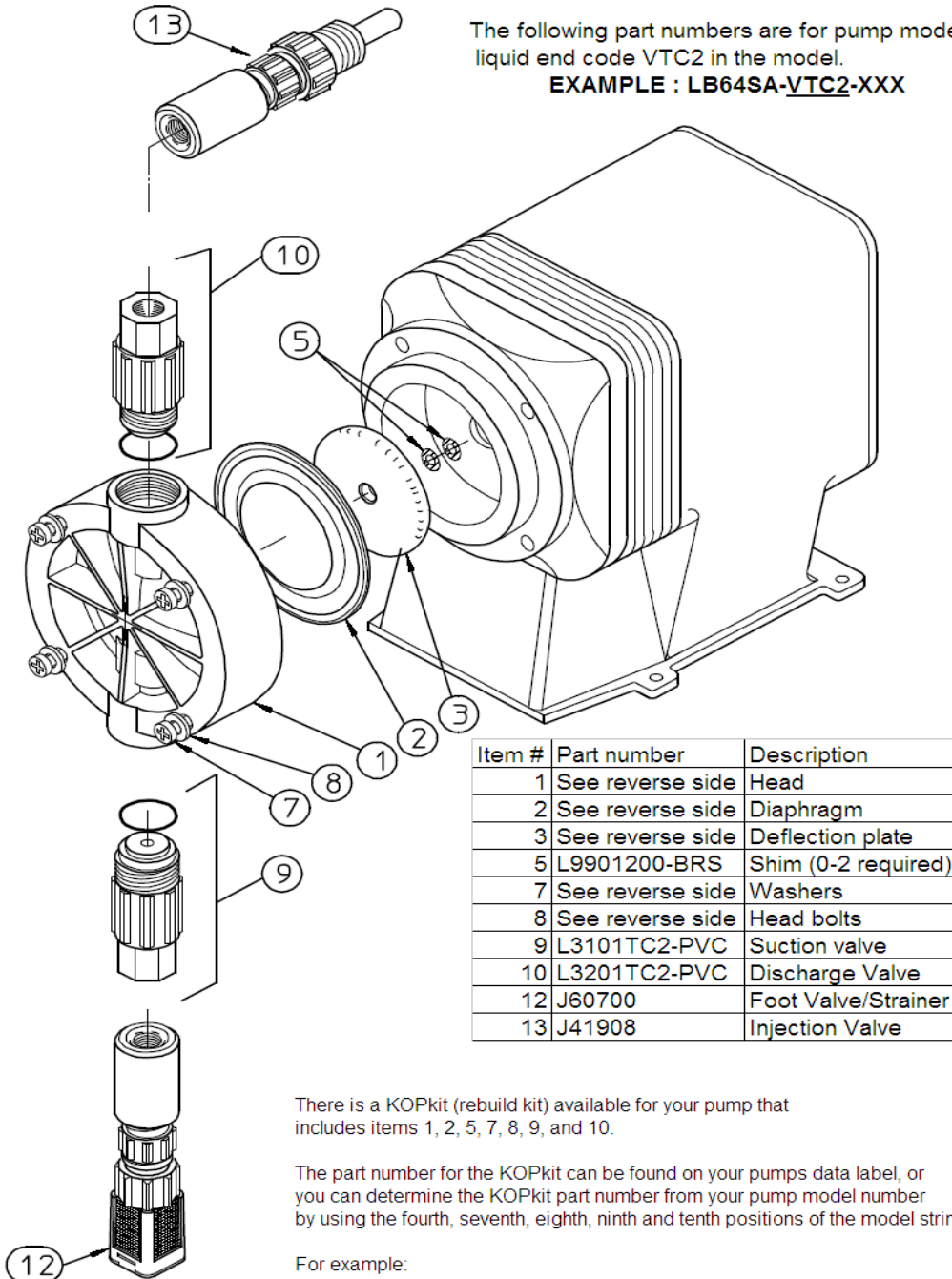
For example the pump head (ITEM #1) for this pump would be:

P/N L0200400-PVC

PART NUMBER	QTY	DESCRIPTION
<b>ITEM NO. 1: PUMP HEAD (PVC)</b>		
L0200900-PVC	1	2 IN POSITION NUMBER FOUR OF THE MODEL NUMBER
L0200300-PVC	1	3 IN POSITION NUMBER FOUR OF THE MODEL NUMBER
L0200400-PVC	1	4 IN POSITION NUMBER FOUR OF THE MODEL NUMBER
<b>ITEM NO. 2: DIAPHRAGM</b>		
L0300900-THY	1	2 IN POSITION NUMBER FOUR OF THE MODEL NUMBER
L0301000-THY	1	3 IN POSITION NUMBER FOUR OF THE MODEL NUMBER
L0301100-THY	1	4 IN POSITION NUMBER FOUR OF THE MODEL NUMBER
<b>ITEM NO. 3: DEFLECTION PLATE</b>		
L2100200-FPP	1	2 IN POSITION NUMBER FOUR OF THE MODEL NUMBER
L2100300-FPP	1	3 IN POSITION NUMBER FOUR OF THE MODEL NUMBER
L2100400-FPP	1	4 IN POSITION NUMBER FOUR OF THE MODEL NUMBER
<b>ITEM NO. 7 &amp; 8: PUMP HEAD SCREWS AND WASHERS KIT (CONTAINS BOLTS AND WASHERS)</b>		
L3900200-000	1	2,3, OR 4 IN POSITION NUMBER FOUR OF THE MODEL NUMBER
<b>REPLACEMENT FUSES</b>		
L9707300-000	1	E-PLUS SERIES, AND E SERIES PUMPS WITH FUSE HOLDER
L9711200-000	1	A -PLUS, C, C-PLUS, AND E SERIES PUMPS WITH PC BOARD MOUNTED FUSE
L9704700-000	1	SERIES E-DC PUMPS
L9700700-250	1	SERIES MP PUMP (CIRCUIT BREAKER)



# VTC2 WET END PARTS



There is a KOPkit (rebuild kit) available for your pump that includes items 1, 2, 5, 7, 8, 9, and 10.

The part number for the KOPkit can be found on your pumps data label, or you can determine the KOPkit part number from your pump model number by using the fourth, seventh, eighth, ninth and tenth positions of the model string.

For example:

Model: LB64SA-VTC2-XXX

KOPKIT P/N: K4VTC2

AC00380.001  
 J-9-04  
 1:3

Use the fourth digit in the model number from your pump to identify the part numbers below

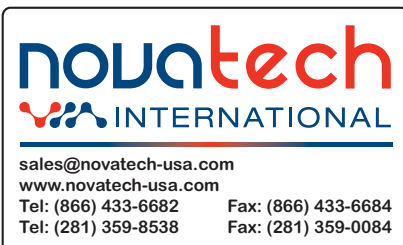
**EXAMPLE MODEL:**

Position	1, 2, 3,4, 5, 6 -7, 8, 9,10-11,12,13
Model:	L B 6 <u>4</u> S A- V T C 2- X X X

For example the pump head (ITEM #1) for this pump would be:

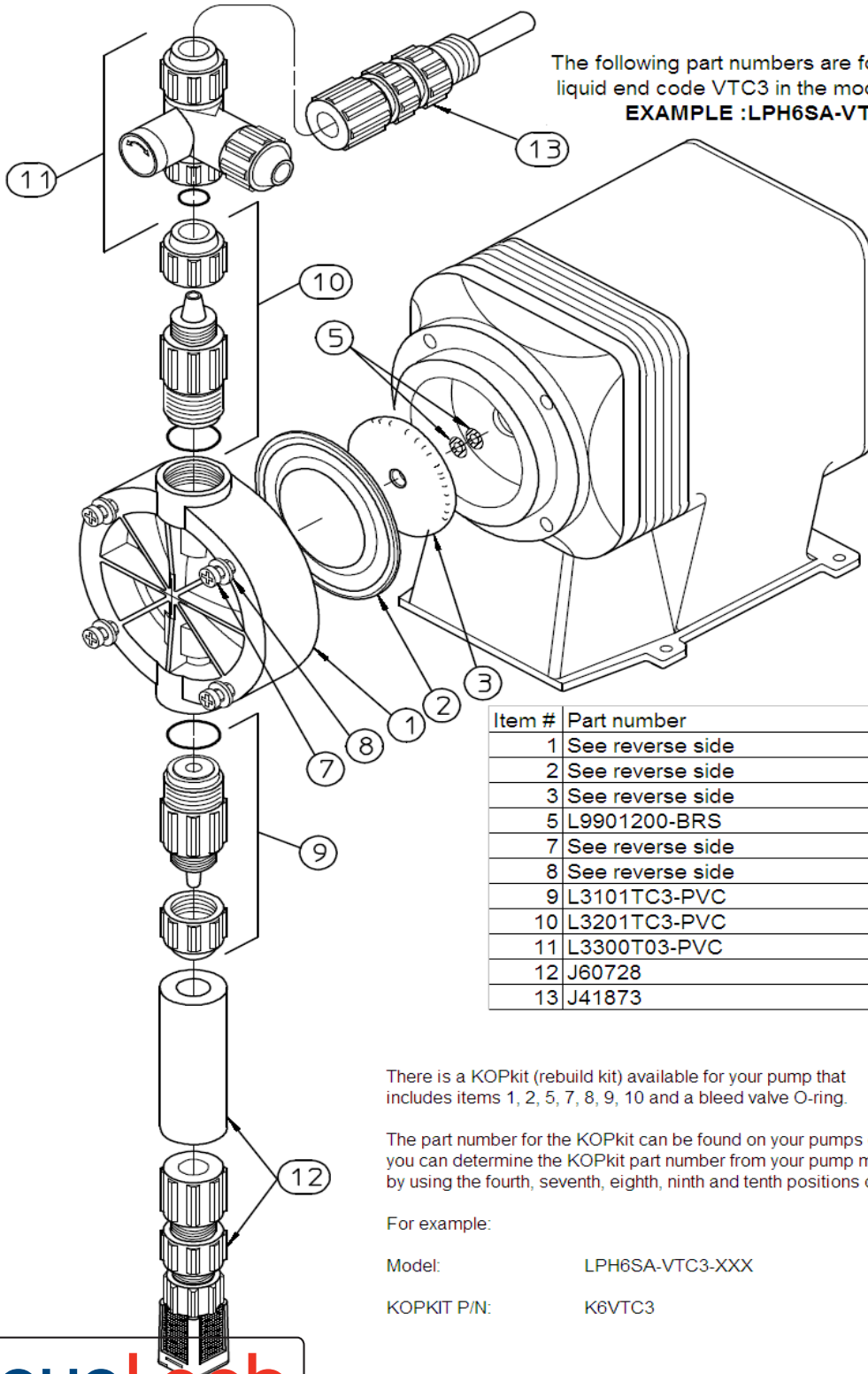
P/N L0200400-PVC

PART NUMBER	QTY	DESCRIPTION
<b>ITEM NO. 1: PUMP HEAD (PVC)</b>		
L0200900-PVC	1	2 IN POSITION NUMBER FOUR OF THE MODEL NUMBER
L0200300-PVC	1	3 IN POSITION NUMBER FOUR OF THE MODEL NUMBER
L0200400-PVC	1	4 IN POSITION NUMBER FOUR OF THE MODEL NUMBER
<b>ITEM NO. 2: DIAPHRAGM</b>		
L0300900-THY	1	2 IN POSITION NUMBER FOUR OF THE MODEL NUMBER
L0301000-THY	1	3 IN POSITION NUMBER FOUR OF THE MODEL NUMBER
L0301100-THY	1	4 IN POSITION NUMBER FOUR OF THE MODEL NUMBER
<b>ITEM NO. 3: DEFLECTION PLATE</b>		
L2100200-FPP	1	2 IN POSITION NUMBER FOUR OF THE MODEL NUMBER
L2100300-FPP	1	3 IN POSITION NUMBER FOUR OF THE MODEL NUMBER
L2100400-FPP	1	4 IN POSITION NUMBER FOUR OF THE MODEL NUMBER
<b>ITEM NO. 7 &amp; 8: PUMP HEAD SCREWS AND WASHERS KIT (CONTAINS BOLTS AND WASHERS)</b>		
L3900200-000	1	2,3, OR 4 IN POSITION NUMBER FOUR OF THE MODEL NUMBER
<b>REPLACEMENT FUSES</b>		
L9707300-000	1	E-PLUS SERIES, AND E SERIES PUMPS WITH FUSE HOLDER
L9711200-000	1	A -PLUS, C, C-PLUS, AND E SERIES PUMPS WITH PC BOARD MOUNTED FUSE
L9704700-000	1	SERIES E-DC PUMPS
L9700700-250	1	SERIES MP PUMP (CIRCUIT BREAKER)





# VTC3 WET END PARTS



The following part numbers are for pump models with liquid end code VTC3 in the model.

**EXAMPLE :LPH6SA-VTC3-XXX**

Item #	Part number	Description
1	See reverse side	Head
2	See reverse side	Diaphragm
3	See reverse side	Deflection plate
5	L9901200-BRS	Shim (0-2 required)
7	See reverse side	Washers
8	See reverse side	Head bolts
9	L3101TC3-PVC	Suction valve
10	L3201TC3-PVC	Discharge Valve
11	L3300T03-PVC	Bleed Valve
12	J60728	Foot Valve/Strainer
13	J41873	Injection Valve

There is a KOPkit (rebuild kit) available for your pump that includes items 1, 2, 5, 7, 8, 9, 10 and a bleed valve O-ring.

The part number for the KOPkit can be found on your pumps data label, or you can determine the KOPkit part number from your pump model number by using the fourth, seventh, eighth, ninth and tenth positions of the model string.

For example:

Model: LPH6SA-VTC3-XXX

KOPKIT P/N: K6VTC3

AC00381.001  
11-J-04  
1:3



sales@novatech-usa.com  
www.novatech-usa.com  
Tel: (866) 433-6682 Fax: (866) 433-6684  
Tel: (281) 359-8538 Fax: (281) 359-0084

Use the fourth digit in the model number from your pump to identify the part numbers below

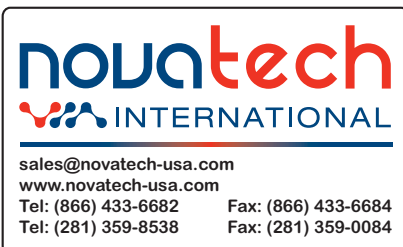
**EXAMPLE MODEL:**

Position	1, 2, 3,4, 5, 6 -7, 8, 9,10-11,12,13
Model:	L P H 6 S A- V T C 3- X X X

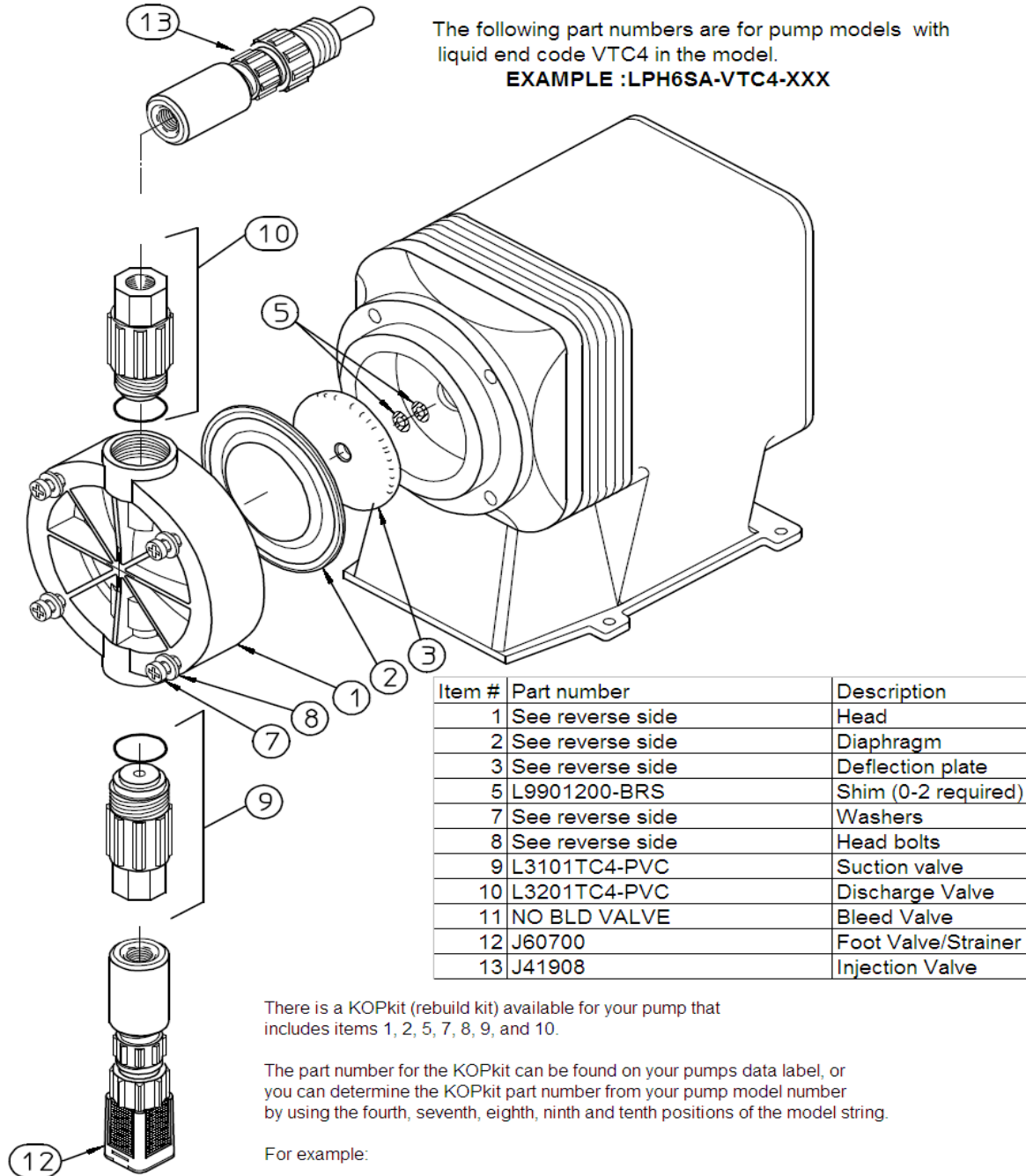
For example the pump head (ITEM #1) for this pump would be:

P/N L0200600-PVC

PART NUMBER	QTY	DESCRIPTION
<b>ITEM NO. 1: PUMP HEAD (PVC)</b>		
L0200400-PVC	1	4 IN POSITION NUMBER FOUR OF THE MODEL NUMBER
L0200500-PVC	1	5 IN POSITION NUMBER FOUR OF THE MODEL NUMBER
L0200600-PVC	1	6 IN POSITION NUMBER FOUR OF THE MODEL NUMBER
<b>ITEM NO. 2: DIAPHRAGM</b>		
L0301100-THY	1	4 IN POSITION NUMBER FOUR OF THE MODEL NUMBER
L0301200-THY	1	5 IN POSITION NUMBER FOUR OF THE MODEL NUMBER
L0301300-THY	1	6 IN POSITION NUMBER FOUR OF THE MODEL NUMBER
<b>ITEM NO. 3: DEFLECTION PLATE</b>		
L2100400-FPP	1	4 IN POSITION NUMBER FOUR OF THE MODEL NUMBER
L2100500-FPP	1	5 IN POSITION NUMBER FOUR OF THE MODEL NUMBER
L2100600-FPP	1	6 IN POSITION NUMBER FOUR OF THE MODEL NUMBER
<b>ITEM NO. 7 &amp; 8: PUMP HEAD SCREWS AND WASHERS KIT (CONTAINS BOLTS AND WASHERS)</b>		
L3900200-000	1	2,3, OR 4 IN POSITION NUMBER FOUR OF THE MODEL NUMBER
L3900300-000	1	5, 6 OR 7 IN POSITION NUMBER FOUR OF THE MODEL NUMBER
<b>REPLACEMENT FUSES</b>		
L9707300-000	1	E-PLUS SERIES, AND E SERIES PUMPS WITH FUSE HOLDER
L9711200-000	1	A -PLUS, C, C-PLUS, AND E SERIES PUMPS WITH PC BOARD MOUNTED FUSE
L9704700-000	1	SERIES E-DC PUMPS
L9700700-250	1	SERIES MP PUMP (CIRCUIT BREAKER)



# VTC4 WET END PARTS



Model: LPH6SA-VTC4-XXX

KOPKIT P/N: K6VTC4

AC00380.001  
 J-9-04  
 1:3

Use the fourth digit in the model number from your pump to identify the part numbers below

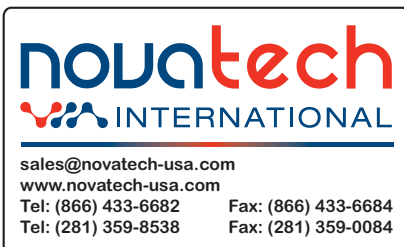
**EXAMPLE MODEL:**

Position	1, 2, 3,4, 5, 6 -7, 8, 9,10-11,12,13
Model:	L P H 6 S A- V T C 4- X X X

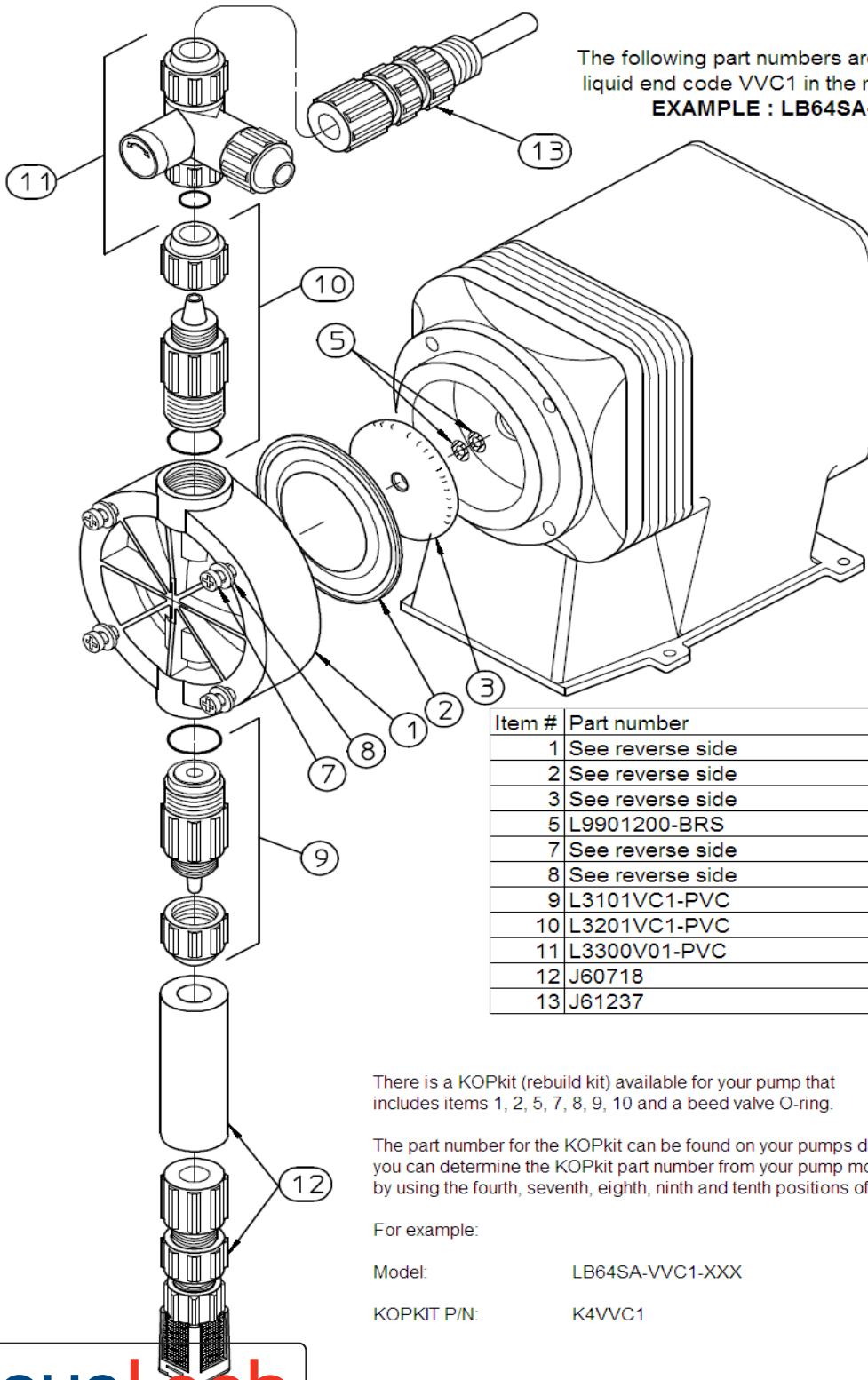
For example the pump head (ITEM #1) for this pump would be:

P/N L0200600-PVC

PART NUMBER	QTY	DESCRIPTION
<b>ITEM NO. 1: PUMP HEAD (PVC)</b>		
L0200400-PVC	1	4 IN POSITION NUMBER FOUR OF THE MODEL NUMBER
L0200500-PVC	1	5 IN POSITION NUMBER FOUR OF THE MODEL NUMBER
L0200600-PVC	1	6 IN POSITION NUMBER FOUR OF THE MODEL NUMBER
<b>ITEM NO. 2: DIAPHRAGM</b>		
L0301100-THY	1	4 IN POSITION NUMBER FOUR OF THE MODEL NUMBER
L0301200-THY	1	5 IN POSITION NUMBER FOUR OF THE MODEL NUMBER
L0301300-THY	1	6 IN POSITION NUMBER FOUR OF THE MODEL NUMBER
<b>ITEM NO. 3: DEFLECTION PLATE</b>		
L2100400-FPP	1	4 IN POSITION NUMBER FOUR OF THE MODEL NUMBER
L2100500-FPP	1	5 IN POSITION NUMBER FOUR OF THE MODEL NUMBER
L2100600-FPP	1	6 IN POSITION NUMBER FOUR OF THE MODEL NUMBER
<b>ITEM NO. 7 &amp; 8: PUMP HEAD SCREWS AND WASHERS KIT (CONTAINS BOLTS AND WASHERS)</b>		
L3900200-000	1	2,3, OR 4 IN POSITION NUMBER FOUR OF THE MODEL NUMBER
L3900300-000	1	5, 6 OR 7 IN POSITION NUMBER FOUR OF THE MODEL NUMBER
<b>REPLACEMENT FUSES</b>		
L9707300-000	1	E-PLUS SERIES, AND E SERIES PUMPS WITH FUSE HOLDER
L9711200-000	1	A -PLUS, C, C-PLUS, AND E SERIES PUMPS WITH PC BOARD MOUNTED FUSE
L9704700-000	1	SERIES E-DC PUMPS
L9700700-250	1	SERIES MP PUMP (CIRCUIT BREAKER)



# VVC1 WET END PARTS



The following part numbers are for pump models with liquid end code VVC1 in the model.

**EXAMPLE : LB64SA-VVC1-XXX**

Item #	Part number	Description
1	See reverse side	Head
2	See reverse side	Diaphragm
3	See reverse side	Deflection plate
5	L9901200-BRS	Shim (0-2 required)
7	See reverse side	Washers
8	See reverse side	Head bolts
9	L3101VC1-PVC	Suction valve
10	L3201VC1-PVC	Discharge Valve
11	L3300V01-PVC	Bleed Valve
12	J60718	Foot Valve/Strainer
13	J61237	Injection Valve

There is a KOPkit (rebuild kit) available for your pump that includes items 1, 2, 5, 7, 8, 9, 10 and a bleed valve O-ring.

The part number for the KOPkit can be found on your pumps data label, or you can determine the KOPkit part number from your pump model number by using the fourth, seventh, eighth, ninth and tenth positions of the model string.

For example:

Model: LB64SA-VVC1-XXX

KOPKIT P/N: K4VVC1

AC00381.001  
11-J-04  
1:3

**novatech**  
INTERNATIONAL

sales@novatech-usa.com  
www.novatech-usa.com  
Tel: (866) 433-6682 Fax: (866) 433-6684  
Tel: (281) 359-8538 Fax: (281) 359-0084

Use the fourth digit in the model number from your pump to identify the part numbers below

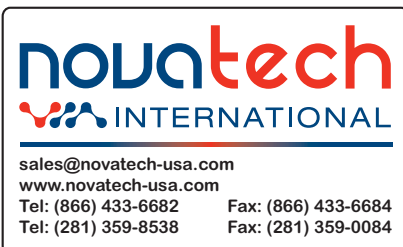
**EXAMPLE MODEL:**

Position	1, 2, 3,4, 5, 6 -7, 8, 9,10-11,12,13
Model:	L B 6 <u>4</u> S A- V V C 1- X X X

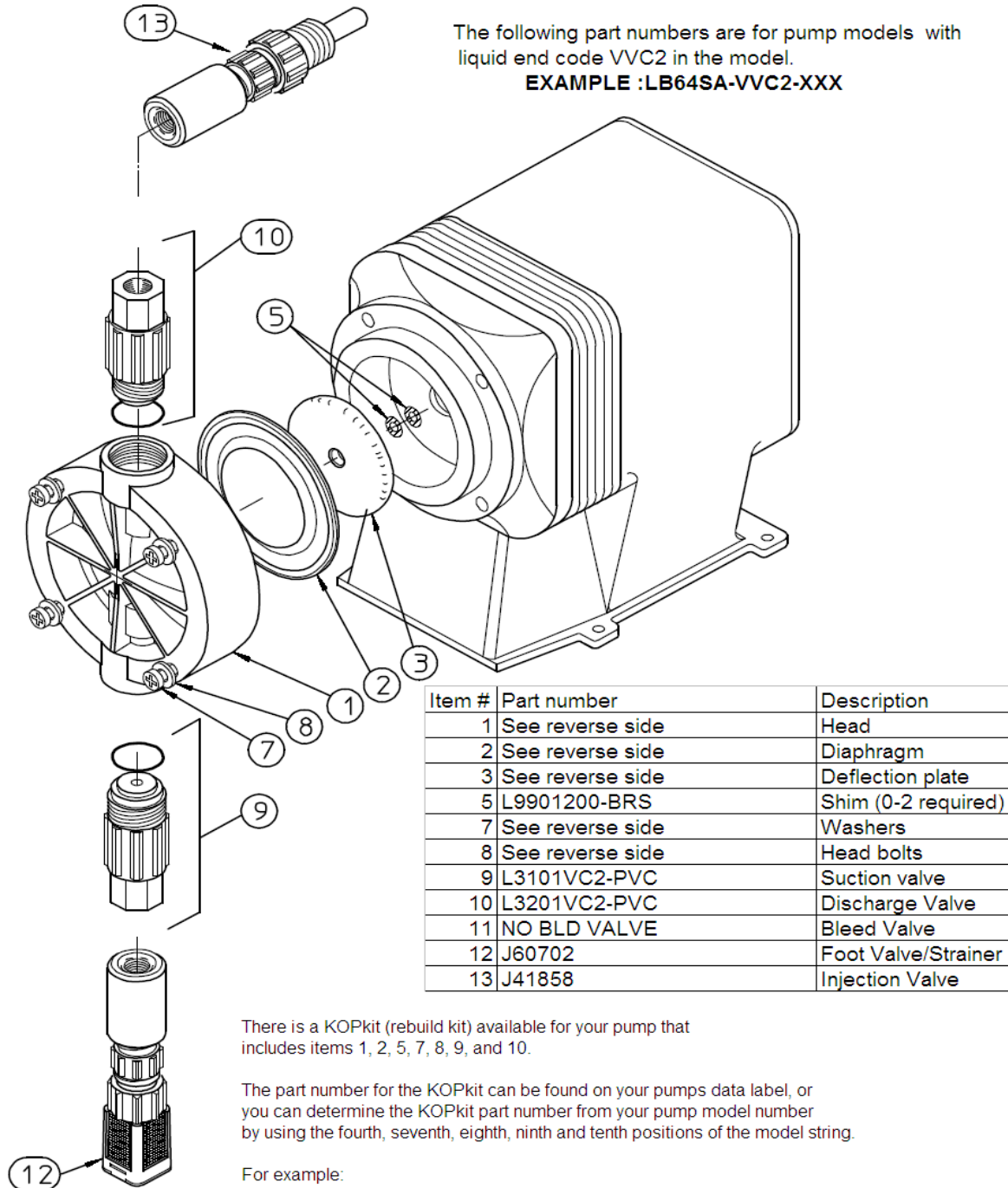
For example the pump head (ITEM #1) for this pump would be:

P/N L0200400-PVC

PART NUMBER	QTY	DESCRIPTION
<b>ITEM NO. 1: PUMP HEAD (PVC)</b>		
L0200900-PVC	1	2 IN POSITION NUMBER FOUR OF THE MODEL NUMBER
L0200300-PVC	1	3 IN POSITION NUMBER FOUR OF THE MODEL NUMBER
L0200400-PVC	1	4 IN POSITION NUMBER FOUR OF THE MODEL NUMBER
<b>ITEM NO. 2: DIAPHRAGM</b>		
L0300900-THY	1	2 IN POSITION NUMBER FOUR OF THE MODEL NUMBER
L0301000-THY	1	3 IN POSITION NUMBER FOUR OF THE MODEL NUMBER
L0301100-THY	1	4 IN POSITION NUMBER FOUR OF THE MODEL NUMBER
<b>ITEM NO. 3: DEFLECTION PLATE</b>		
L2100200-FPP	1	2 IN POSITION NUMBER FOUR OF THE MODEL NUMBER
L2100300-FPP	1	3 IN POSITION NUMBER FOUR OF THE MODEL NUMBER
L2100400-FPP	1	4 IN POSITION NUMBER FOUR OF THE MODEL NUMBER
<b>ITEM NO. 7 &amp; 8: PUMP HEAD SCREWS AND WASHERS KIT (CONTAINS BOLTS AND WASHERS)</b>		
L3900200-000	1	2,3, OR 4 IN POSITION NUMBER FOUR OF THE MODEL NUMBER
<b>REPLACEMENT FUSES</b>		
L9707300-000	1	E-PLUS SERIES, AND E SERIES PUMPS WITH FUSE HOLDER
L9711200-000	1	A -PLUS, C, C-PLUS, AND E SERIES PUMPS WITH PC BOARD MOUNTED FUSE
L9704700-000	1	SERIES E-DC PUMPS
L9700700-250	1	SERIES MP PUMP (CIRCUIT BREAKER)



# VVC2 WET END PARTS



The following part numbers are for pump models with liquid end code VVC2 in the model.

**EXAMPLE :LB64SA-VVC2-XXX**

Item #	Part number	Description
1	See reverse side	Head
2	See reverse side	Diaphragm
3	See reverse side	Deflection plate
5	L9901200-BRS	Shim (0-2 required)
7	See reverse side	Washers
8	See reverse side	Head bolts
9	L3101VC2-PVC	Suction valve
10	L3201VC2-PVC	Discharge Valve
11	NO BLD VALVE	Bleed Valve
12	J60702	Foot Valve/Strainer
13	J41858	Injection Valve

There is a KOPkit (rebuild kit) available for your pump that includes items 1, 2, 5, 7, 8, 9, and 10.

The part number for the KOPkit can be found on your pumps data label, or you can determine the KOPkit part number from your pump model number by using the fourth, seventh, eighth, ninth and tenth positions of the model string.

For example:

Model: LB64SA-VVC2-XXX

KOPKIT P/N: K4VVC2

AC00380.001  
J-9-04  
1:3

Use the fourth digit in the model number from your pump to identify the part numbers below

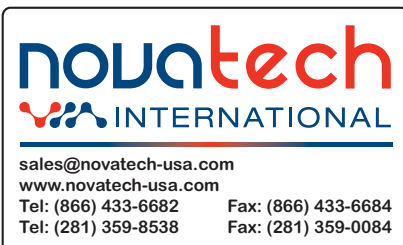
**EXAMPLE MODEL:**

Position	1, 2, 3,4, 5, 6 -7, 8, 9,10-11,12,13
Model:	L B 6 <u>4</u> S A- V V C 2- X X X

For example the pump head (ITEM #1) for this pump would be:

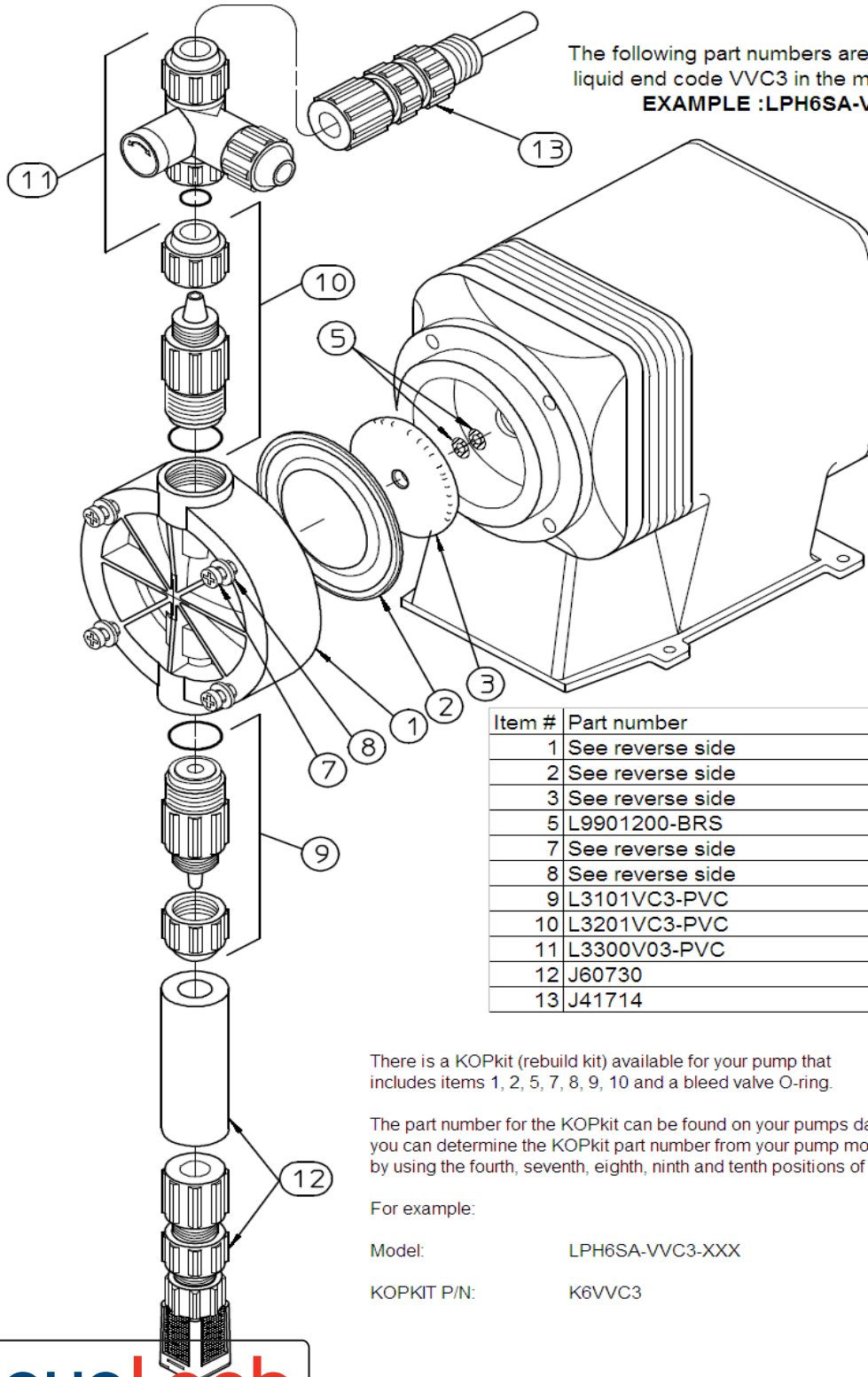
P/N L0200400-PVC

PART NUMBER	QTY	DESCRIPTION
<b>ITEM NO. 1: PUMP HEAD (PVC)</b>		
L0200900-PVC	1	2 IN POSITION NUMBER FOUR OF THE MODEL NUMBER
L0200300-PVC	1	3 IN POSITION NUMBER FOUR OF THE MODEL NUMBER
L0200400-PVC	1	4 IN POSITION NUMBER FOUR OF THE MODEL NUMBER
<b>ITEM NO. 2: DIAPHRAGM</b>		
L0300900-THY	1	2 IN POSITION NUMBER FOUR OF THE MODEL NUMBER
L0301000-THY	1	3 IN POSITION NUMBER FOUR OF THE MODEL NUMBER
L0301100-THY	1	4 IN POSITION NUMBER FOUR OF THE MODEL NUMBER
<b>ITEM NO. 3: DEFLECTION PLATE</b>		
L2100200-FPP	1	2 IN POSITION NUMBER FOUR OF THE MODEL NUMBER
L2100300-FPP	1	3 IN POSITION NUMBER FOUR OF THE MODEL NUMBER
L2100400-FPP	1	4 IN POSITION NUMBER FOUR OF THE MODEL NUMBER
<b>ITEM NO. 7 &amp; 8: PUMP HEAD SCREWS AND WASHERS KIT (CONTAINS BOLTS AND WASHERS)</b>		
L3900200-000	1	2,3, OR 4 IN POSITION NUMBER FOUR OF THE MODEL NUMBER
<b>REPLACEMENT FUSES</b>		
L9707300-000	1	E-PLUS SERIES, AND E SERIES PUMPS WITH FUSE HOLDER
L9711200-000	1	A -PLUS, C, C-PLUS, AND E SERIES PUMPS WITH PC BOARD MOUNTED FUSE
L9704700-000	1	SERIES E-DC PUMPS
L9700700-250	1	SERIES MP PUMP (CIRCUIT BREAKER)





# VVC3 WET END PARTS



The following part numbers are for pump models with liquid end code VVC3 in the model.

**EXAMPLE :LPH6SA-VVC3-XXX**

Item #	Part number	Description
1	See reverse side	Head
2	See reverse side	Diaphragm
3	See reverse side	Deflection plate
5	L9901200-BRS	Shim (0-2 required)
7	See reverse side	Washers
8	See reverse side	Head bolts
9	L3101VC3-PVC	Suction valve
10	L3201VC3-PVC	Discharge Valve
11	L3300V03-PVC	Bleed Valve
12	J60730	Foot Valve/Strainer
13	J41714	Injection Valve

There is a KOPkit (rebuild kit) available for your pump that includes items 1, 2, 5, 7, 8, 9, 10 and a bleed valve O-ring.

The part number for the KOPkit can be found on your pumps data label, or you can determine the KOPkit part number from your pump model number by using the fourth, seventh, eighth, ninth and tenth positions of the model string.

For example:

Model: LPH6SA-VVC3-XXX

KOPKIT P/N: K6VVC3

AC00381.001  
11-J-04  
1:3

**novatech**  
INTERNATIONAL

sales@novatech-usa.com  
www.novatech-usa.com  
Tel: (866) 433-6682 Fax: (866) 433-6684  
Tel: (281) 359-8538 Fax: (281) 359-0084

Use the fourth digit in the model number from your pump to identify the part numbers below

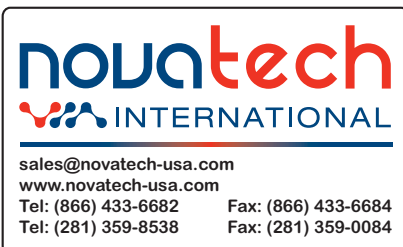
**EXAMPLE MODEL:**

Position	1, 2, 3,4, 5, 6 -7, 8, 9,10-11,12,13
Model:	L P H 6 S A- V V C 3- X X X

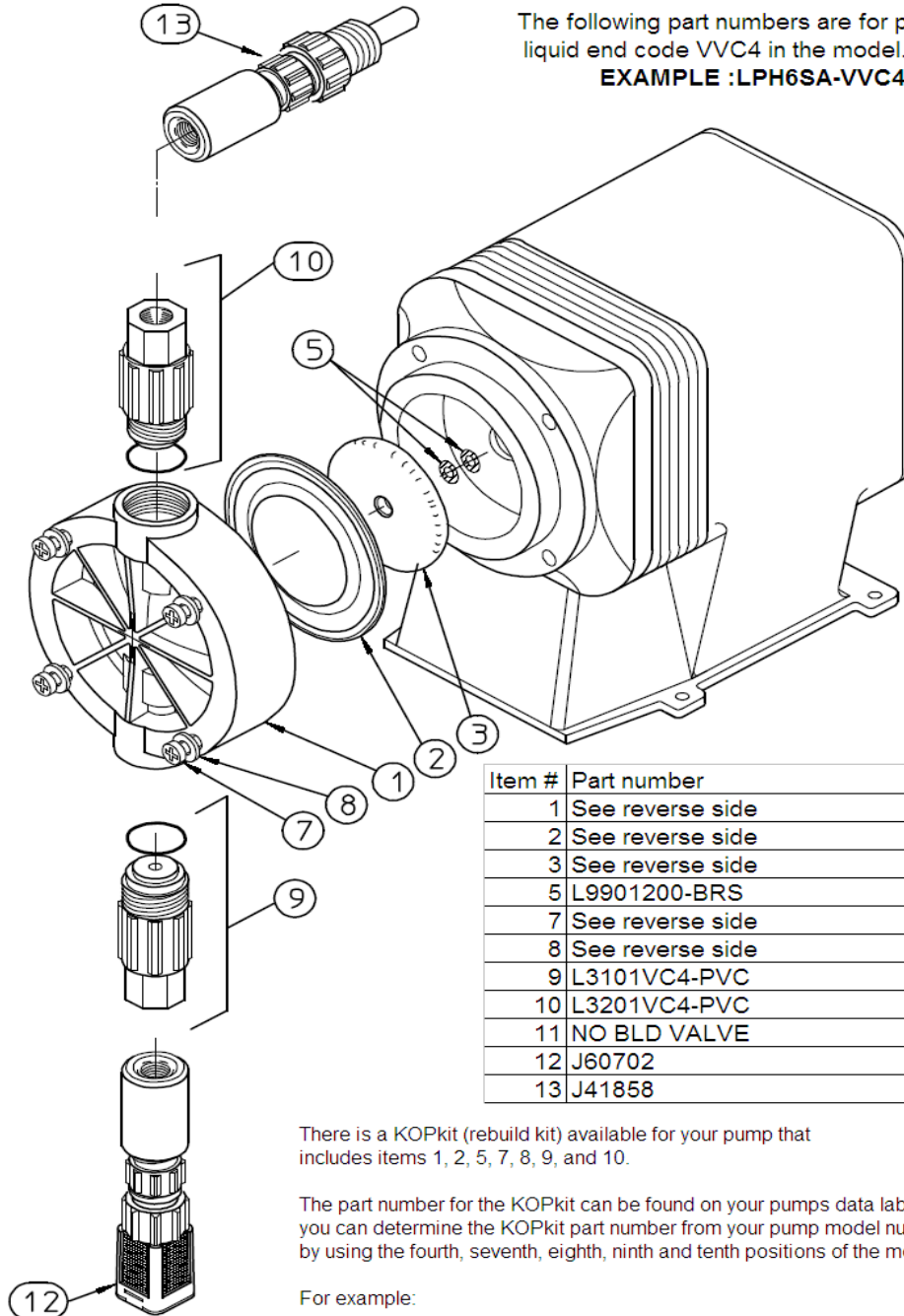
For example the pump head (ITEM #1) for this pump would be:

P/N L0200600-PVC

PART NUMBER	QTY	DESCRIPTION
<b>ITEM NO. 1: PUMP HEAD (PVC)</b>		
L0200400-PVC	1	4 IN POSITION NUMBER FOUR OF THE MODEL NUMBER
L0200500-PVC	1	5 IN POSITION NUMBER FOUR OF THE MODEL NUMBER
L0200600-PVC	1	6 IN POSITION NUMBER FOUR OF THE MODEL NUMBER
<b>ITEM NO. 2: DIAPHRAGM</b>		
L0301100-THY	1	4 IN POSITION NUMBER FOUR OF THE MODEL NUMBER
L0301200-THY	1	5 IN POSITION NUMBER FOUR OF THE MODEL NUMBER
L0301300-THY	1	6 IN POSITION NUMBER FOUR OF THE MODEL NUMBER
<b>ITEM NO. 3: DEFLECTION PLATE</b>		
L2100400-FPP	1	4 IN POSITION NUMBER FOUR OF THE MODEL NUMBER
L2100500-FPP	1	5 IN POSITION NUMBER FOUR OF THE MODEL NUMBER
L2100600-FPP	1	6 IN POSITION NUMBER FOUR OF THE MODEL NUMBER
<b>ITEM NO. 7 &amp; 8: PUMP HEAD SCREWS AND WASHERS KIT (CONTAINS BOLTS AND WASHERS)</b>		
L3900200-000	1	2,3, OR 4 IN POSITION NUMBER FOUR OF THE MODEL NUMBER
L3900300-000	1	5, 6 OR 7 IN POSITION NUMBER FOUR OF THE MODEL NUMBER
<b>REPLACEMENT FUSES</b>		
L9707300-000	1	E-PLUS SERIES, AND E SERIES PUMPS WITH FUSE HOLDER
L9711200-000	1	A -PLUS, C, C-PLUS, AND E SERIES PUMPS WITH PC BOARD MOUNTED FUSE
L9704700-000	1	SERIES E-DC PUMPS
L9700700-250	1	SERIES MP PUMP (CIRCUIT BREAKER)



# VVC4 WET END PARTS



The following part numbers are for pump models with liquid end code VVC4 in the model.

**EXAMPLE : LPH6SA-VVC4-XXX**

Item #	Part number	Description
1	See reverse side	Head
2	See reverse side	Diaphragm
3	See reverse side	Deflection plate
5	L9901200-BRS	Shim (0-2 required)
7	See reverse side	Washers
8	See reverse side	Head bolts
9	L3101VC4-PVC	Suction valve
10	L3201VC4-PVC	Discharge Valve
11	NO BLD VALVE	Bleed Valve
12	J60702	Foot Valve/Strainer
13	J41858	Injection Valve

There is a KOPkit (rebuild kit) available for your pump that includes items 1, 2, 5, 7, 8, 9, and 10.

The part number for the KOPkit can be found on your pumps data label, or you can determine the KOPkit part number from your pump model number by using the fourth, seventh, eighth, ninth and tenth positions of the model string.

For example:

Model: LPH6SA-VVC4-XXX

KOPKIT P/N: K6VVC4

AC00380.001  
J-9-04  
1:3

**novatech**  
INTERNATIONAL

sales@novatech-usa.com  
www.novatech-usa.com  
Tel: (866) 433-6682 Fax: (866) 433-6684  
Tel: (281) 359-8538 Fax: (281) 359-0084

Use the fourth digit in the model number from your pump to identify the part numbers below

**EXAMPLE MODEL:**

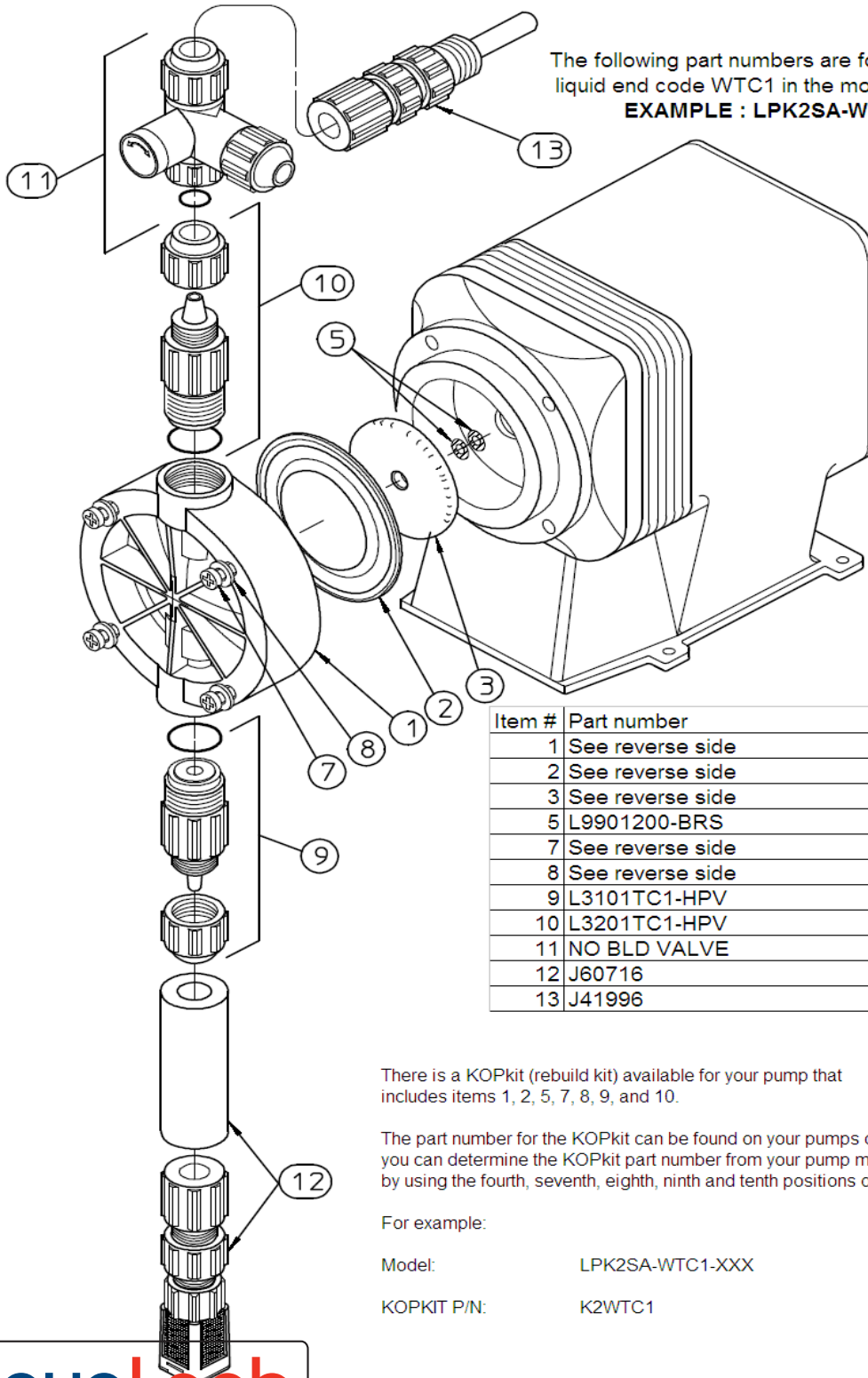
Position	1, 2, 3,4, 5, 6 -7, 8, 9,10-11,12,13
Model:	L P H 6 S A- V V C 4- X X X

For example the pump head (ITEM #1) for this pump would be:

P/N L0200600-PVC

PART NUMBER	QTY	DESCRIPTION
<b>ITEM NO. 1: PUMP HEAD (PVC)</b>		
L0200400-PVC	1	4 IN POSITION NUMBER FOUR OF THE MODEL NUMBER
L0200500-PVC	1	5 IN POSITION NUMBER FOUR OF THE MODEL NUMBER
L0200600-PVC	1	6 IN POSITION NUMBER FOUR OF THE MODEL NUMBER
<b>ITEM NO. 2: DIAPHRAGM</b>		
L0301100-THY	1	4 IN POSITION NUMBER FOUR OF THE MODEL NUMBER
L0301200-THY	1	5 IN POSITION NUMBER FOUR OF THE MODEL NUMBER
L0301300-THY	1	6 IN POSITION NUMBER FOUR OF THE MODEL NUMBER
<b>ITEM NO. 3: DEFLECTION PLATE</b>		
L2100400-FPP	1	4 IN POSITION NUMBER FOUR OF THE MODEL NUMBER
L2100500-FPP	1	5 IN POSITION NUMBER FOUR OF THE MODEL NUMBER
L2100600-FPP	1	6 IN POSITION NUMBER FOUR OF THE MODEL NUMBER
<b>ITEM NO. 7 &amp; 8: PUMP HEAD SCREWS AND WASHERS KIT (CONTAINS BOLTS AND WASHERS)</b>		
L3900200-000	1	2,3, OR 4 IN POSITION NUMBER FOUR OF THE MODEL NUMBER
L3900300-000	1	5, 6 OR 7 IN POSITION NUMBER FOUR OF THE MODEL NUMBER
<b>REPLACEMENT FUSES</b>		
L9707300-000	1	E-PLUS SERIES, AND E SERIES PUMPS WITH FUSE HOLDER
L9711200-000	1	A -PLUS, C, C-PLUS, AND E SERIES PUMPS WITH PC BOARD MOUNTED FUSE
L9704700-000	1	SERIES E-DC PUMPS
L9700700-250	1	SERIES MP PUMP (CIRCUIT BREAKER)

# WTC1 WET END PARTS



The following part numbers are for pump models with liquid end code WTC1 in the model.

**EXAMPLE : LPK2SA-WTC1-XXX**

Item #	Part number	Description
1	See reverse side	Head
2	See reverse side	Diaphragm
3	See reverse side	Deflection plate
5	L9901200-BRS	Shim (0-2 required)
7	See reverse side	Washers
8	See reverse side	Head bolts
9	L3101TC1-HPV	Suction valve
10	L3201TC1-HPV	Discharge Valve
11	NO BLD VALVE	Bleed Valve
12	J60716	Foot Valve/Strainer
13	J41996	Injection Valve

There is a KOPkit (rebuild kit) available for your pump that includes items 1, 2, 5, 7, 8, 9, and 10.

The part number for the KOPkit can be found on your pumps data label, or you can determine the KOPkit part number from your pump model number by using the fourth, seventh, eighth, ninth and tenth positions of the model string.

For example:

Model: LPK2SA-WTC1-XXX

KOPKIT P/N: K2WTC1

AC00381.001  
11-J-04  
1:3



sales@novatech-usa.com  
www.novatech-usa.com  
Tel: (866) 433-6682 Fax: (866) 433-6684  
Tel: (281) 359-8538 Fax: (281) 359-0084

Use the fourth digit in the model number from your pump to identify the part numbers below

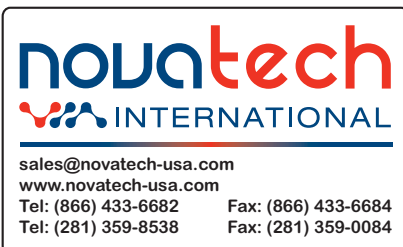
**EXAMPLE MODEL:**

Position	1, 2, 3,4, 5, 6 -7, 8, 9,10-11,12,13
Model:	L P K 2 S A- W T C 1- X X X

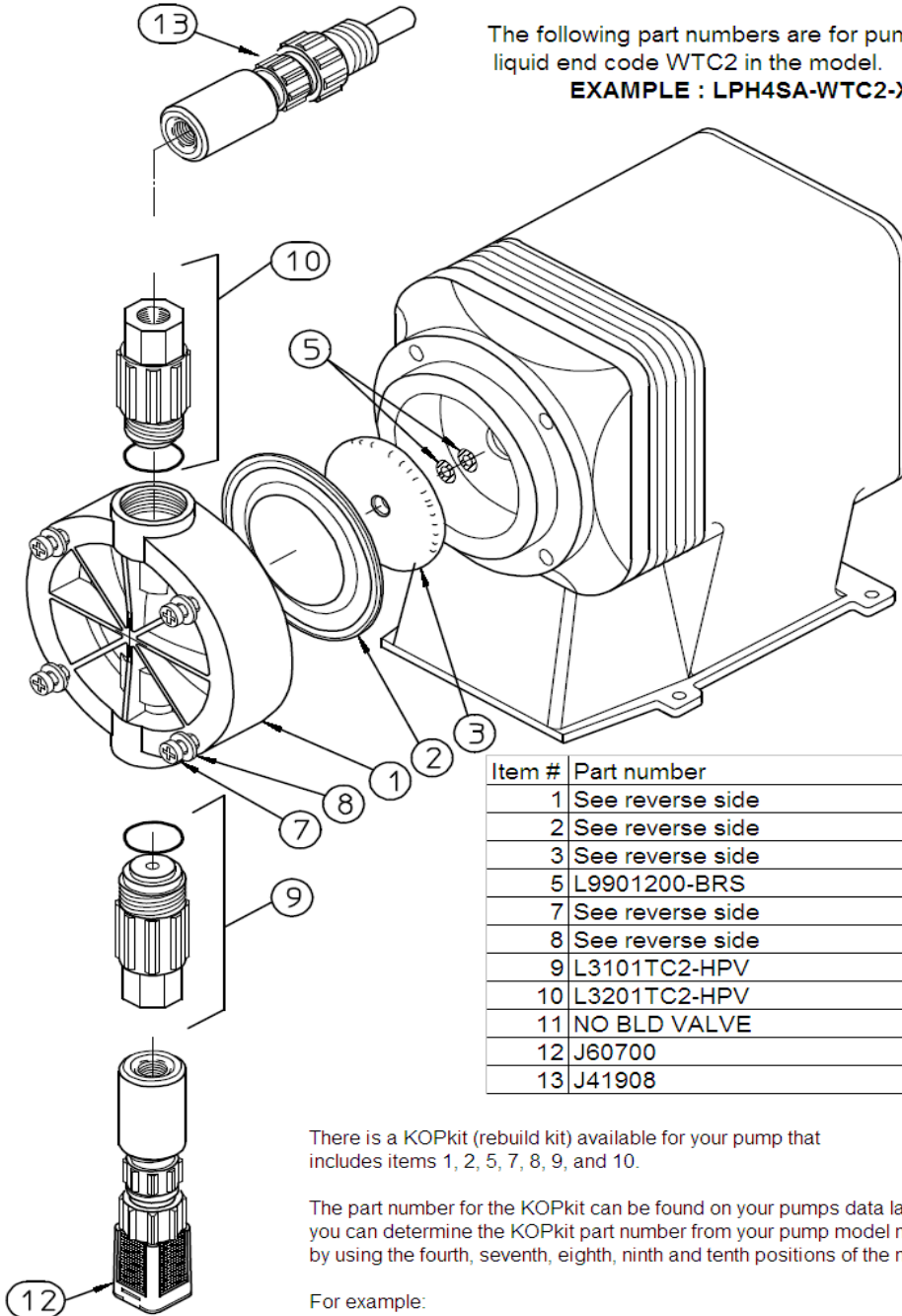
For example the pump head (ITEM #1) for this pump would be:

P/N L0202400-HPV

PART NUMBER	QTY	DESCRIPTION
<b>ITEM NO. 1: PUMP HEAD (PVC)</b>		
L0202400-HPV	1	2 IN POSITION NUMBER FOUR OF THE MODEL NUMBER
L0202500-HPV	1	3 IN POSITION NUMBER FOUR OF THE MODEL NUMBER
L0200400-HPV	1	4 IN POSITION NUMBER FOUR OF THE MODEL NUMBER
<b>ITEM NO. 2: DIAPHRAGM</b>		
L0300900-THY	1	2 IN POSITION NUMBER FOUR OF THE MODEL NUMBER
L0301000-THY	1	3 IN POSITION NUMBER FOUR OF THE MODEL NUMBER
L0301100-THY	1	4 IN POSITION NUMBER FOUR OF THE MODEL NUMBER
<b>ITEM NO. 3: DEFLECTION PLATE</b>		
L2100200-FPP	1	2 IN POSITION NUMBER FOUR OF THE MODEL NUMBER
L2100300-FPP	1	3 IN POSITION NUMBER FOUR OF THE MODEL NUMBER
L2100400-FPP	1	4 IN POSITION NUMBER FOUR OF THE MODEL NUMBER
<b>ITEM NO. 7 &amp; 8: PUMP HEAD SCREWS AND WASHERS KIT (CONTAINS BOLTS AND WASHERS)</b>		
L3900200-000	1	2,3, OR 4 IN POSITION NUMBER FOUR OF THE MODEL NUMBER
<b>REPLACEMENT FUSES</b>		
L9707300-000	1	E-PLUS SERIES, AND E SERIES PUMPS WITH FUSE HOLDER
L9711200-000	1	A -PLUS, C, C-PLUS, AND E SERIES PUMPS WITH PC BOARD MOUNTED FUSE
L9704700-000	1	SERIES E-DC PUMPS
L9700700-250	1	SERIES MP PUMP (CIRCUIT BREAKER)



# WTC2 WET END PARTS



The following part numbers are for pump models with liquid end code WTC2 in the model.

**EXAMPLE : LPH4SA-WTC2-XXX**

Item #	Part number	Description
1	See reverse side	Head
2	See reverse side	Diaphragm
3	See reverse side	Deflection plate
5	L9901200-BRS	Shim (0-2 required)
7	See reverse side	Washers
8	See reverse side	Head bolts
9	L3101TC2-HPV	Suction valve
10	L3201TC2-HPV	Discharge Valve
11	NO BLD VALVE	Bleed Valve
12	J60700	Foot Valve/Strainer
13	J41908	Injection Valve

There is a KOPkit (rebuild kit) available for your pump that includes items 1, 2, 5, 7, 8, 9, and 10.

The part number for the KOPkit can be found on your pumps data label, or you can determine the KOPkit part number from your pump model number by using the fourth, seventh, eighth, ninth and tenth positions of the model string.

For example:

Model: LPH4SA-WTC2-XXX

KOPKIT P/N: K4WTC2

AC00380.001  
J-9-04  
1:3

Use the fourth digit in the model number from your pump to identify the part numbers below

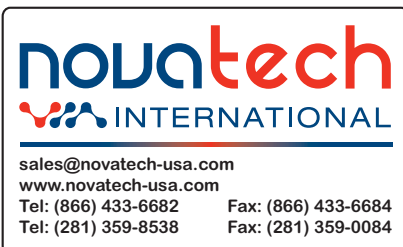
**EXAMPLE MODEL:**

Position	1, 2, 3,4, 5, 6 -7, 8, 9,10-11,12,13
Model:	L P H 4 S A- W T C 2- X X X

For example the pump head (ITEM #1) for this pump would be:

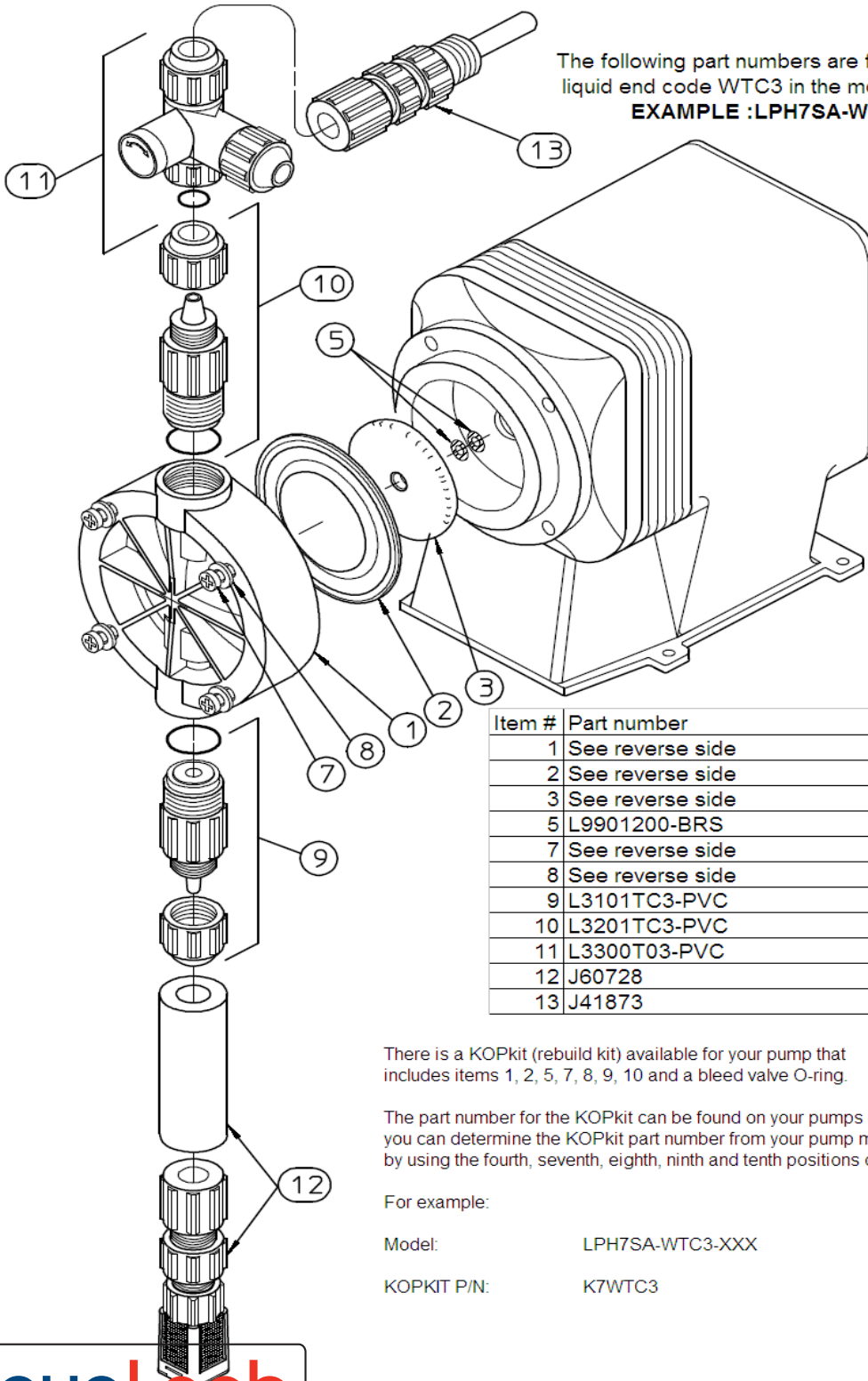
P/N L0200400-HPV

PART NUMBER	QTY	DESCRIPTION
<b>ITEM NO. 1: PUMP HEAD (PVC)</b>		
L0202400-HPV	1	2 IN POSITION NUMBER FOUR OF THE MODEL NUMBER
L0202500-HPV	1	3 IN POSITION NUMBER FOUR OF THE MODEL NUMBER
L0200400-HPV	1	4 IN POSITION NUMBER FOUR OF THE MODEL NUMBER
<b>ITEM NO. 2: DIAPHRAGM</b>		
L0300900-THY	1	2 IN POSITION NUMBER FOUR OF THE MODEL NUMBER
L0301000-THY	1	3 IN POSITION NUMBER FOUR OF THE MODEL NUMBER
L0301100-THY	1	4 IN POSITION NUMBER FOUR OF THE MODEL NUMBER
<b>ITEM NO. 3: DEFLECTION PLATE</b>		
L2100200-FPP	1	2 IN POSITION NUMBER FOUR OF THE MODEL NUMBER
L2100300-FPP	1	3 IN POSITION NUMBER FOUR OF THE MODEL NUMBER
L2100400-FPP	1	4 IN POSITION NUMBER FOUR OF THE MODEL NUMBER
<b>ITEM NO. 7 &amp; 8: PUMP HEAD SCREWS AND WASHERS KIT (CONTAINS BOLTS AND WASHERS)</b>		
L3900200-000	1	2,3, OR 4 IN POSITION NUMBER FOUR OF THE MODEL NUMBER
<b>REPLACEMENT FUSES</b>		
L9707300-000	1	E-PLUS SERIES, AND E SERIES PUMPS WITH FUSE HOLDER
L9711200-000	1	A -PLUS, C, C-PLUS, AND E SERIES PUMPS WITH PC BOARD MOUNTED FUSE
L9704700-000	1	SERIES E-DC PUMPS
L9700700-250	1	SERIES MP PUMP (CIRCUIT BREAKER)





# WTC3 WET END PARTS



The following part numbers are for pump models with liquid end code WTC3 in the model.

**EXAMPLE : LPH7SA-WTC3-XXX**

Item #	Part number	Description
1	See reverse side	Head
2	See reverse side	Diaphragm
3	See reverse side	Deflection plate
5	L9901200-BRS	Shim (0-2 required)
7	See reverse side	Washers
8	See reverse side	Head bolts
9	L3101TC3-PVC	Suction valve
10	L3201TC3-PVC	Discharge Valve
11	L3300T03-PVC	Bleed Valve
12	J60728	Foot Valve/Strainer
13	J41873	Injection Valve

There is a KOPkit (rebuild kit) available for your pump that includes items 1, 2, 5, 7, 8, 9, 10 and a bleed valve O-ring.

The part number for the KOPkit can be found on your pumps data label, or you can determine the KOPkit part number from your pump model number by using the fourth, seventh, eighth, ninth and tenth positions of the model string.

For example:

Model: LPH7SA-WTC3-XXX

KOPKIT P/N: K7WTC3

AC00381.001  
11-J-04  
1:3

**novatech**  
INTERNATIONAL

sales@novatech-usa.com  
www.novatech-usa.com  
Tel: (866) 433-6682 Fax: (866) 433-6684  
Tel: (281) 359-8538 Fax: (281) 359-0084

Use the fourth digit in the model number from your pump to identify the part numbers below

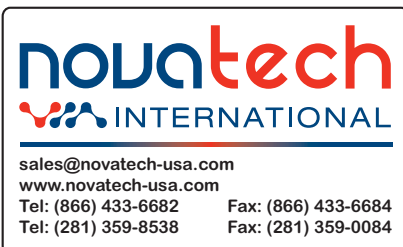
**EXAMPLE MODEL:**

Position	1, 2, 3,4, 5, 6 -7, 8, 9,10-11,12,13
Model:	L P H 7 S A- W T C 3- X X X

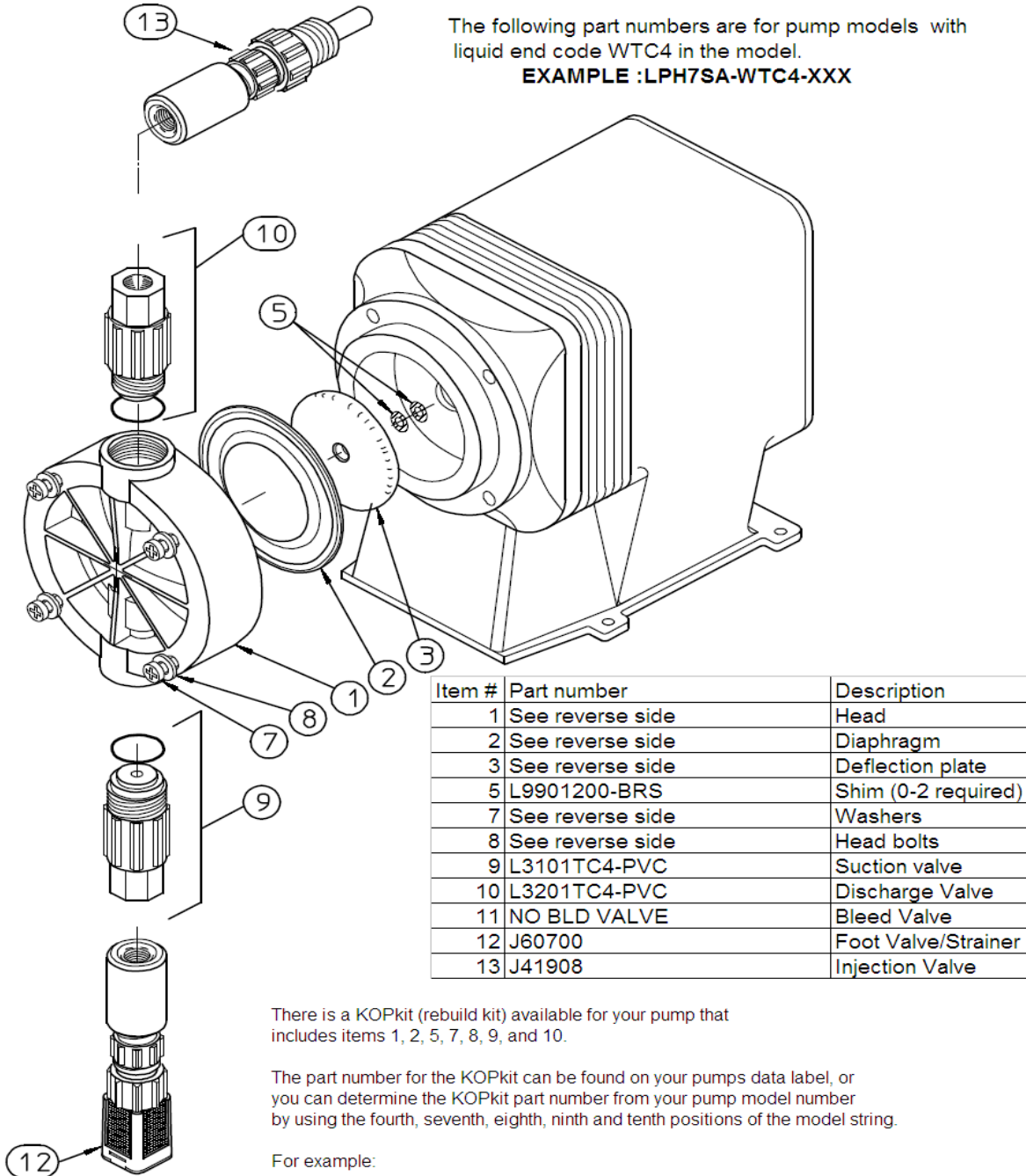
For example the pump head (ITEM #1) for this pump would be:

P/N L0200700-HPV

PART NUMBER	QTY	DESCRIPTION
<b>ITEM NO. 1: PUMP HEAD (FPP)</b>		
L0200400-HPV	1	4 IN POSITION NUMBER FOUR OF THE MODEL NUMBER
L0200700-HPV	1	7 IN POSITION NUMBER FOUR OF THE MODEL NUMBER
<b>ITEM NO. 2: DIAPHRAGM</b>		
L0301100-THY	1	4 IN POSITION NUMBER FOUR OF THE MODEL NUMBER
L0301400-THY	1	7 IN POSITION NUMBER FOUR OF THE MODEL NUMBER
<b>ITEM NO. 3: DEFLECTION PLATE</b>		
L2100400-FPP	1	4 IN POSITION NUMBER FOUR OF THE MODEL NUMBER
L2100700-FPP	1	7 IN POSITION NUMBER FOUR OF THE MODEL NUMBER
<b>ITEM NO. 7 &amp; 8: PUMP HEAD SCREWS AND WASHERS KIT (CONTAINS BOLTS AND WASHERS)</b>		
L3900200-000	1	2,3, OR 4 IN POSITION NUMBER FOUR OF THE MODEL NUMBER
L3900300-000	1	5, 6 OR 7 IN POSITION NUMBER FOUR OF THE MODEL NUMBER
<b>REPLACEMENT FUSES</b>		
L9707300-000	1	E-PLUS SERIES, AND E SERIES PUMPS WITH FUSE HOLDER
L9711200-000	1	A -PLUS, C, C-PLUS, AND E SERIES PUMPS WITH PC BOARD MOUNTED FUSE
L9704700-000	1	SERIES E-DC PUMPS
L9700700-250	1	SERIES MP PUMP (CIRCUIT BREAKER)



# WTC4 WET END PARTS



Model: LPH7SA-WTC4-XXX

KOPKIT P/N: K7WTC4

AC00380.001  
 J-9-04  
 1:3

Use the fourth digit in the model number from your pump to identify the part numbers below

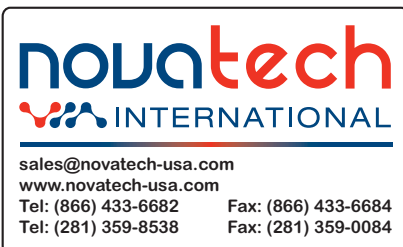
**EXAMPLE MODEL:**

Position	1, 2, 3,4, 5, 6 -7, 8, 9,10-11,12,13
Model:	L P H7 S A- W T C 4- X X X

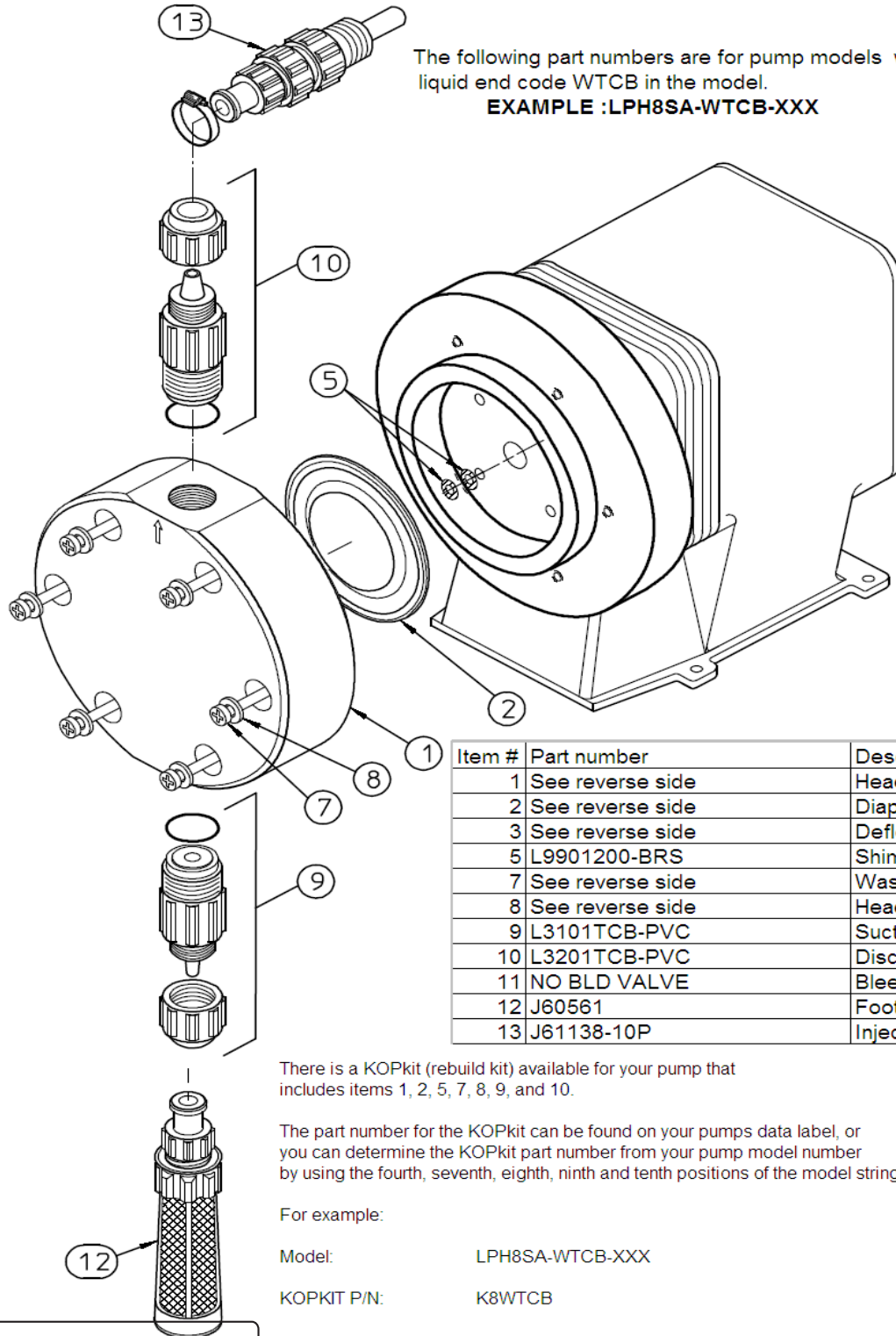
For example the pump head (ITEM #1) for this pump would be:

P/N L0200700-HPV

PART NUMBER	QTY	DESCRIPTION
<b>ITEM NO. 1: PUMP HEAD (FPP)</b>		
L0200400-HPV	1	4 IN POSITION NUMBER FOUR OF THE MODEL NUMBER
L0200700-HPV	1	7 IN POSITION NUMBER FOUR OF THE MODEL NUMBER
<b>ITEM NO. 2: DIAPHRAGM</b>		
L0301100-THY	1	4 IN POSITION NUMBER FOUR OF THE MODEL NUMBER
L0301400-THY	1	7 IN POSITION NUMBER FOUR OF THE MODEL NUMBER
<b>ITEM NO. 3: DEFLECTION PLATE</b>		
L2100400-FPP	1	4 IN POSITION NUMBER FOUR OF THE MODEL NUMBER
L2100700-FPP	1	7 IN POSITION NUMBER FOUR OF THE MODEL NUMBER
<b>ITEM NO. 7 &amp; 8: PUMP HEAD SCREWS AND WASHERS KIT (CONTAINS BOLTS AND WASHERS)</b>		
L3900200-000	1	2,3, OR 4 IN POSITION NUMBER FOUR OF THE MODEL NUMBER
L3900300-000	1	5, 6 OR 7 IN POSITION NUMBER FOUR OF THE MODEL NUMBER
<b>REPLACEMENT FUSES</b>		
L9707300-000	1	E-PLUS SERIES, AND E SERIES PUMPS WITH FUSE HOLDER
L9711200-000	1	A -PLUS, C, C-PLUS, AND E SERIES PUMPS WITH PC BOARD MOUNTED FUSE
L9704700-000	1	SERIES E-DC PUMPS
L9700700-250	1	SERIES MP PUMP (CIRCUIT BREAKER)



# WTCB WET END PARTS



The following part numbers are for pump models with liquid end code WTCB in the model.

**EXAMPLE : LPH8SA-WTCB-XXX**

Item #	Part number	Description
1	See reverse side	Head
2	See reverse side	Diaphragm
3	See reverse side	Deflection plate
5	L9901200-BRS	Shim (0-2 required)
7	See reverse side	Washers
8	See reverse side	Head bolts
9	L3101TCB-PVC	Suction valve
10	L3201TCB-PVC	Discharge Valve
11	NO BLD VALVE	Bleed Valve
12	J60561	Foot Valve/Strainer
13	J61138-10P	Injection Valve

There is a KOPkit (rebuild kit) available for your pump that includes items 1, 2, 5, 7, 8, 9, and 10.

The part number for the KOPkit can be found on your pumps data label, or you can determine the KOPkit part number from your pump model number by using the fourth, seventh, eighth, ninth and tenth positions of the model string.

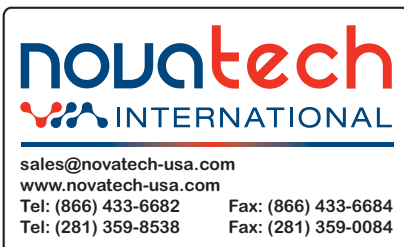
For example:

Model: LPH8SA-WTCB-XXX

KOPKIT P/N: K8WTCB

AC00382.001  
27-J-04  
1:3

PART NUMBER	QTY	DESCRIPTION
<b>ITEM NO. 1: PUMP HEAD (PPL)</b>		
L0200800-HPV	1	
<b>ITEM NO. 2: DIAPHRAGM</b>		
L0301600-THY	1	
<b>ITEM NO. 3: DEFLECTION PLATE</b>		
	0	NOT USED ON THESE MODELS
<b>ITEM NO. 7 &amp; 8: PUMP HEAD SCREWS AND WASHERS KIT (CONTAINS BOLTS AND WASHERS)</b>		
L3900400-000	1	
<b>REPLACEMENT FUSES</b>		
L9707300-000	1	E-PLUS SERIES, AND E SERIES PUMPS WITH FUSE HOLDER
L9700700-250	1	SERIES MP PUMP (CIRCUIT BREAKER)





[sales@novatech-usa.com](mailto:sales@novatech-usa.com)

[www.novatech-usa.com](http://www.novatech-usa.com)

Tel: (866) 433-6682 Fax: (866) 433-6684

Tel: (281) 359-8538 Fax: (281) 359-0084

**novatech**  
INTERNATIONAL

---

sales@novatech-usa.com  
www.novatech-usa.com  
Tel: (866) 433-6682 Fax: (866) 433-6684  
Tel: (281) 359-8538 Fax: (281) 359-0084

***PULSAFEEDER***<sup>®</sup>

EMP-031  
Sep-10